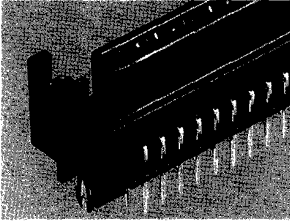


CHAMP .050 Series I Blindmate Receptacle Assemblies (Continued)

CHAMP .050 Centerline Connector Systems

Receptacle Assembly, Vertical Mount, Extended Height
Part Number 787596-1, 4.57mm Contact Tail
Part Number 787596-3, 3.18mm Contact Tail



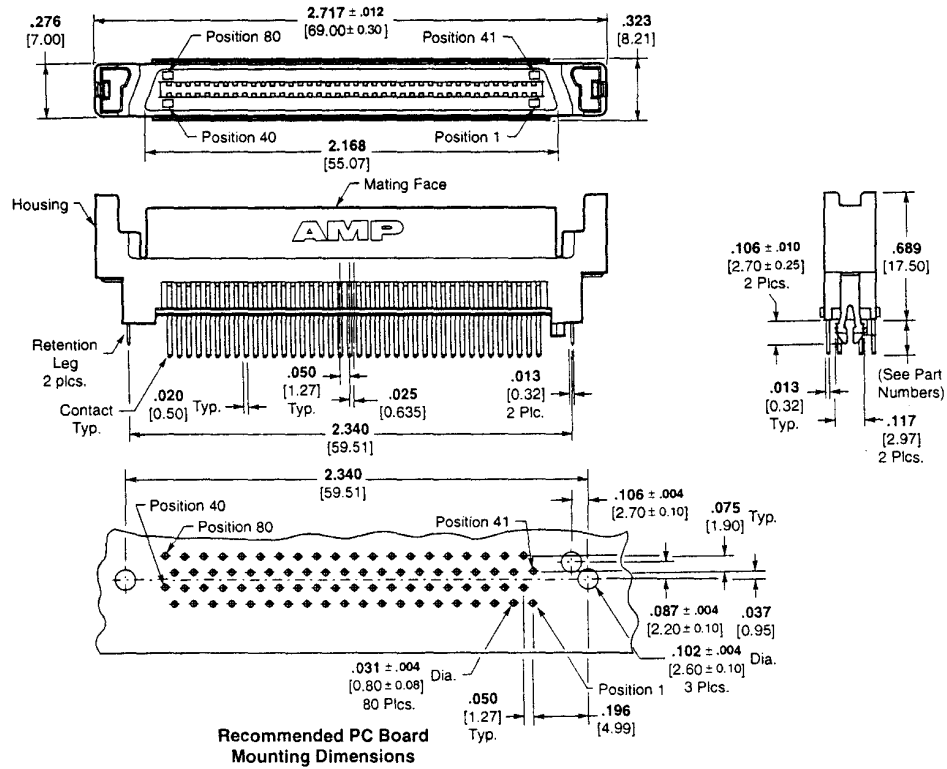
Material and Finish

Housing — Thermoplastic, 94V-0 rated, black

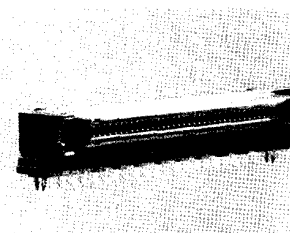
Contacts — Phosphor bronze, plated .000030 [0.00076] min. gold on mating end, .000150 [0.00381] min. tin-lead on solder end, both over .000050 [0.00127] min nickel underplating

Retention Leg — Brass, plated .000150 [0.00381] min. tin-lead over .000050 [0.00127] min. nickel

Note: Connector will accommodate mating PC board .063 [1.60] thick.



Receptacle Assembly, Right Angle, Extended Height
Part Number 787535-1



Material and Finish

Housing and Tine Plate — LCP, 94V-0 rated, black

Contacts — Phosphor bronze, plated .000030 [0.00076] min. gold on mating end, .000150 [0.00381] min. tin-lead on solder end, both over .000050 [0.00127] min nickel underplating

Retention Leg — Brass, plated .000150 [0.00381] min. tin-lead over .000050 [0.00127] min. nickel

Note: Connector will accommodate mating PC board .063 [1.60] thick.

