

4

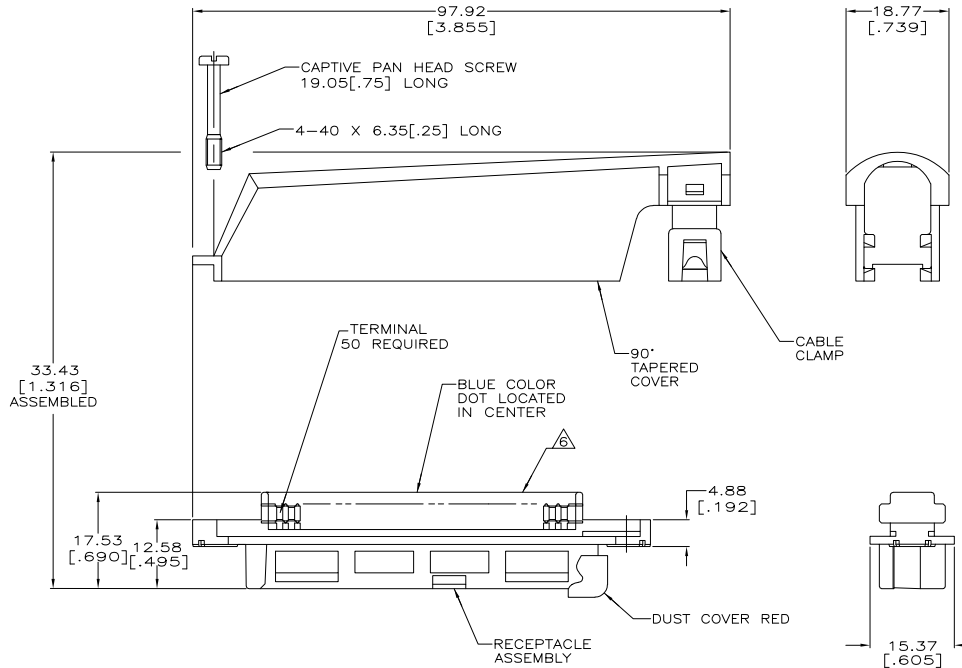
3

2

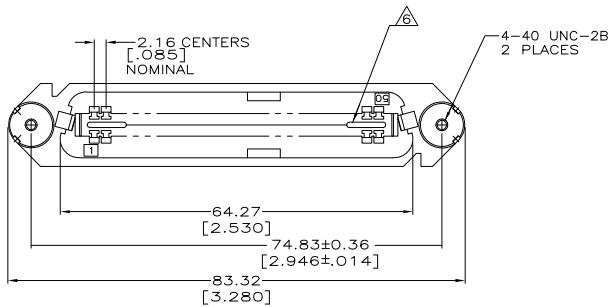
1

THIS DRAWING IS UNPUBLISHED. RELEASED FOR PUBLICATION.
 © COPYRIGHT 2005 BY TYCO ELECTRONICS CORPORATION. ALL RIGHTS RESERVED.

LOC	DIST	REVISIONS				
GP	00	P	LR	DATE	BY	APPD
		0		RELEASED PER EC 0513-0288-05	23SEP05	GP JG



- THE CONTACT SURFACES OF THE TERMINALS ARE COATED WITH LUBRICANT.
- DIMENSIONS ARE MAXIMUM UNLESS OTHERWISE SPECIFIED.
- MATERIAL: HOUSING AND COVER - POLYPHENYLENE OXIDE.
 CABLE CLAMP - POLYESTER MOLDING COMPOUND.
 TERMINALS - GOLD OVER NICKEL PLATED HIGH STRENGTH COPPER ALLOY.
 HARDWARE - ZINC PLATED STEEL.
 DUST COVER - POLYETHYLENE MOLDING COMPOUND.
- THIS KIT SHIPPED NOT ASSEMBLED.
- WIRE SIZE: 24 & 26 AWG SOLID & 24 AWG STRAND COPPER CONDUCTORS. MAXIMUM INSULATION DIAMETER OF 1.15 [.045] IS ACCEPTABLE FOR MOST APPLICATIONS.
- CORING MAY OR MAY NOT APPEAR AND IS AT THE DISCRETION OF AMP INCORPORATED.



BULK PACKED	Ø 7.62-8.26 [Ø.300-.325]	YES	BLACK	6-5229913-7
		Ø 8.89-10.80 [Ø.350-.425]	YES	GRAY
POLY BAGGED		YES	BLACK	6-5229913-3
		NO	BLACK	6-5229913-1
	Ø 10.80-12.70 [Ø.425-.500]	YES	BLACK	3-5229913-1
		NO	BLACK	2-5229913-1
PACKAGING		YES	GRAY	1-5229913-4
		YES	BLACK	1-5229913-1
		NO	GRAY	5229913-4
		NO	BLACK	5229913-1
	CABLE RANGE	DUST COVER	COLOR	PART NUMBER

THIS DRAWING IS A CONTROLLED DOCUMENT.		Tyco Electronics Corporation	
DIMENSIONS: mm [INCHES]	TO MANUFACTURE TO THESE DIMENSIONS, CONTACT:	DATE: 23SEP05	NAME: M. WALKSLEY
0 PLC	±	DATE: 23SEP05	NAME: M. WALKSLEY
1 PLC	±	DATE: 23SEP05	NAME: M. WALKSLEY
2 PLC	±	DATE: 23SEP05	NAME: M. WALKSLEY
3 PLC	±	DATE: 23SEP05	NAME: M. WALKSLEY
4 PLC	±	DATE: 23SEP05	NAME: M. WALKSLEY
5 PLC	±	DATE: 23SEP05	NAME: M. WALKSLEY
ANGLE	±	DATE: 23SEP05	NAME: M. WALKSLEY
FINISH	±	DATE: 23SEP05	NAME: M. WALKSLEY
MATERIAL		SIZE: A2	CAGE CODE: 00779
		DRAWING NO: C-5229913	RESTRICTED TO: -
		SCALE: 2:1	SHEET: 1 of 1
		CUSTOMER DRAWING	REV: 0

AMP 1471-9 REV 31MAR2000

5229913

B

A