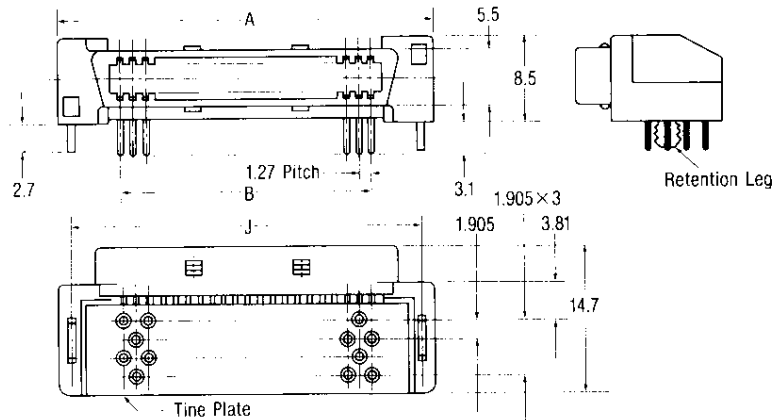


# Board to Board Connectors FH (Free Height) 1.27mm Pitch Connectors/Solder Type Receptacle Assembly (Horizontal Mount Type)

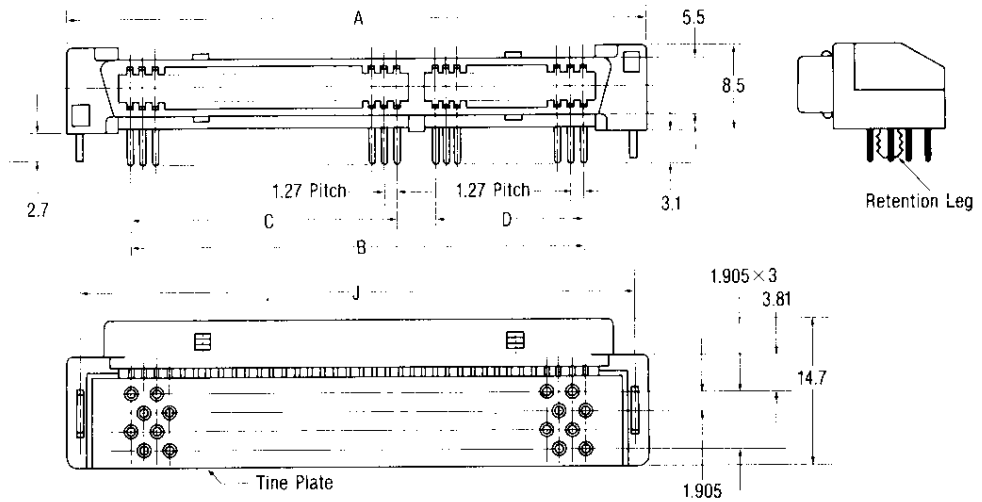
## Material and Finish :

Housing—UL94V-0 rated,  
glass-filled thermoplastic,  
black  
Contact—Phosphor bronze,  
0.3µm min. gold on contact  
area, 1.0µm min. tin-lead  
plated or tin plated on leg  
area over 1.3µm min. nickel  
under-plated

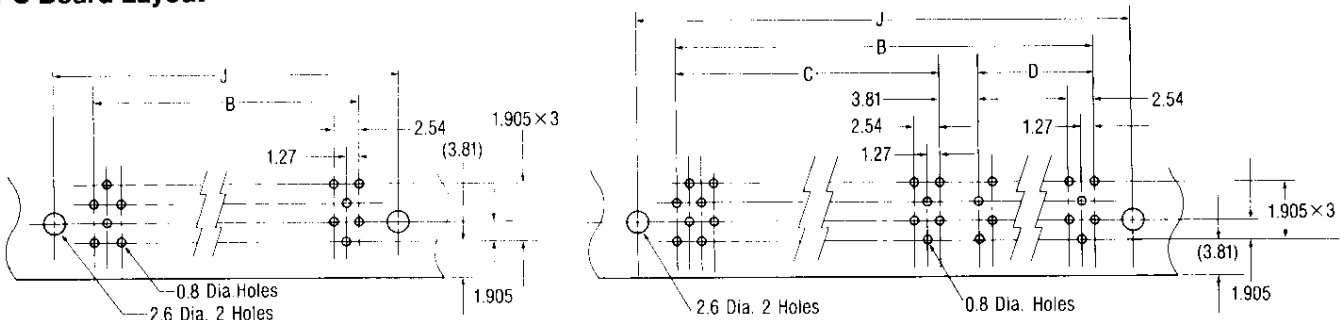
40, 60, 80  
and 100 Pos.



120, 140, 160 and 180 Pos.



## PC Board Layout



For 40, 60, 80 and 100 Pos.

For 120, 140, 160 and 180 Pos.

| No. of Pos. | Dimensions |        |       |       |        | Part Number |
|-------------|------------|--------|-------|-------|--------|-------------|
|             | A          | B      | C     | D     | J      |             |
| 40          | 36.8       | 24.13  | —     | —     | 34.10  | 176379-1    |
| 60          | 49.5       | 36.83  | —     | —     | 46.80  | 176379-2    |
| 80          | 62.2       | 49.53  | —     | —     | 59.50  | 176379-3    |
| 100         | 74.9       | 62.23  | —     | —     | 72.20  | 176379-4    |
| 120         | 90.1       | 77.47  | 49.53 | 24.13 | 87.44  | 176379-5    |
| 140         | 102.8      | 90.17  | 49.53 | 36.83 | 100.14 | 176379-6    |
| 160         | 115.5      | 102.87 | 62.23 | 36.83 | 112.64 | 176379-7    |
| 180         | 128.2      | 115.57 | 62.23 | 49.53 | 125.54 | 176379-8    |