

**MCX SERIES**

# 50Ω MCX JACKS & PLUGS

Mates with:  
RF174, RF316, RF178

**SPECIFICATIONS**

For complete specifications and recommended PCB layouts see [www.samtec.com?MCX](http://www.samtec.com?MCX)

**Insulator Material:** PTFE

**Contact Material:** BeCu, Brass (-P-TH)

**Shell Material:** Brass

**Operating Temp Range:** -65°C to +125°C

**Insulation Resistance:** 1000MΩ min

**Contact Resistance:** Center: 5mΩ max

Outer: 2.5mΩ max

**Impedance:** 50Ω

**V.S.W.R.:** 1.3 max (-ST)

1.5 max (-RA)

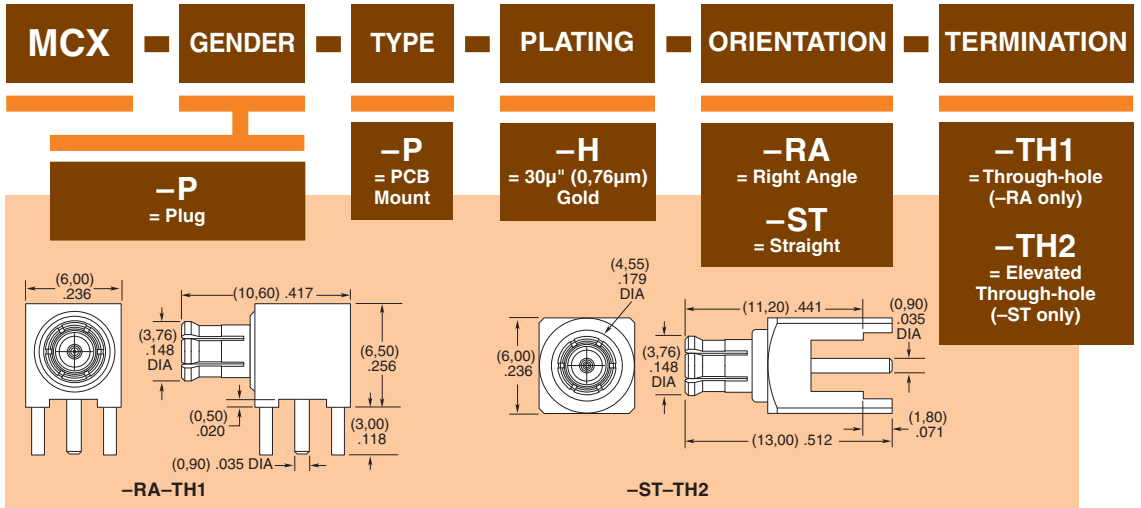
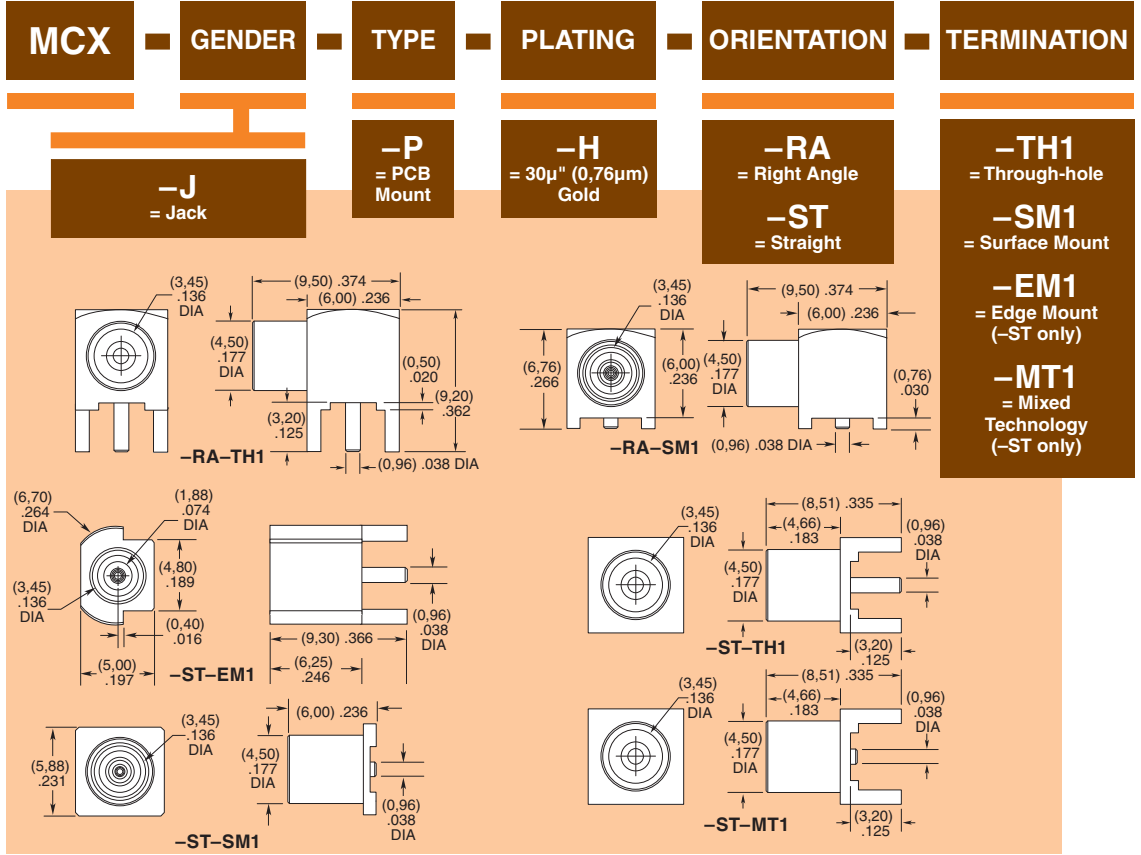
**Dielectric Withstanding Voltage:** 1000 Vrms min, 50Hz

**Dielectric Working Voltage:** 335 Vrms max

**Frequency Range:** 0-6 GHz

**RoHS Compliant:** Yes

**Processing:** Lead-Free Solderable: Yes



Due to technical progress, all designs, specifications and components are subject to change without notice.

[WWW.SAMTEC.COM](http://WWW.SAMTEC.COM)

SAMTEC USA • Tel: 1-800-SAMTEC-9 or 812-944-6733 SAMTEC SILICON VALLEY • Tel: 408-395-5900 SAMTEC SOUTHERN CALIFORNIA • Tel: 1-800-726-8329  
 SAMTEC AMERICA LATINA COMERCIO EXTERIOR LTDA • Tel: (+55 31) 3786 3227 SAMTEC UNITED KINGDOM • Tel: 44 01236 739292 SAMTEC GERMANY • Tel: +49 (0) 89 / 89460-0  
 SAMTEC FRANCE • Tel: 33 01 60 95 06 60 SAMTEC ITALY • Tel: 39 039 8890337 SAMTEC NORDIC/BALTIC • Tel: +46-84477280 SAMTEC BENELUX • Tel: 44 01236 739292 SAMTEC ISRAEL • Tel: 972-3-7526600  
 SAMTEC INDIA • Tel: +91-80-3272 1612 SAMTEC ASIA PACIFIC • Tel: 65 6745-5955 SAMTEC JAPAN • Tel: 045-475-1385 SAMTEC CHINA • Tel: 86-21-61103766 SAMTEC TAIWAN • Tel: 886-2-2735-6109  
 Downloaded from Elcodis.com electro SAMTEC HONG KONG • Tel: 852 2600 9858 SAMTEC KOREA • Tel: 82-31-717-5685 SAMTEC ANZ • Tel: 613 9512 7747 SAMTEC SOUTH AFRICA • Tel: 27 11 452 8112