

**MCX SERIES**

# 50Ω MCX JACKS & PLUGS

Mates with:  
RF174, RF316, RF178

**SPECIFICATIONS**

For complete specifications and recommended PCB layouts see [www.samtec.com?MCX](http://www.samtec.com?MCX)

**Insulator Material:**  
PTFE

**Contact Material:**  
BeCu, Brass (-P-TH)

**Shell Material:**  
Brass

**Operating Temp Range:**  
-65°C to +125°C

**Insulation Resistance:**  
1000MΩ min

**Contact Resistance:**  
Center: 5mΩ max  
Outer: 2.5mΩ max

**Impedance:**  
50Ω

**V.S.W.R.:**  
1.3 max (-ST)  
1.5 max (-RA)

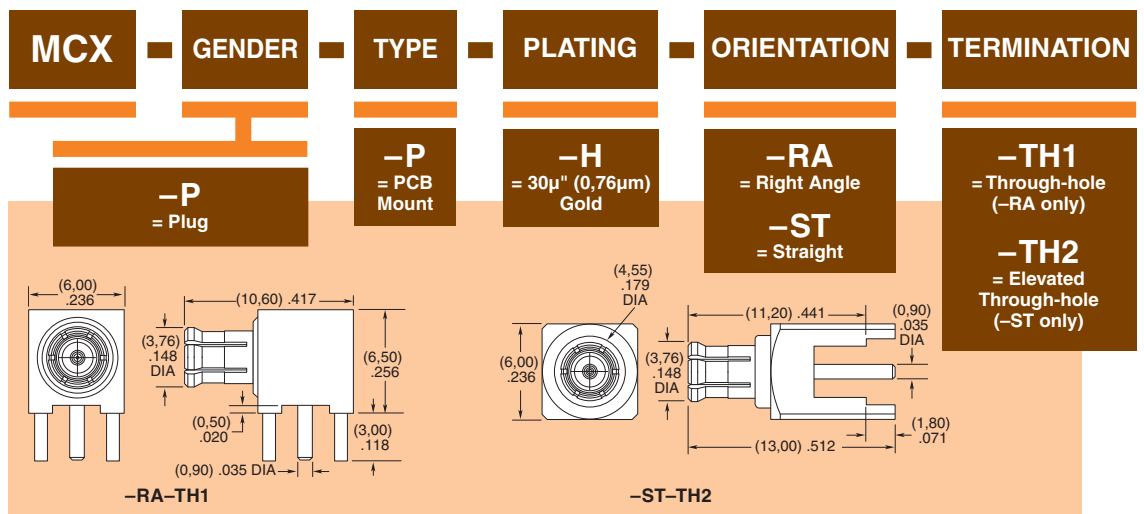
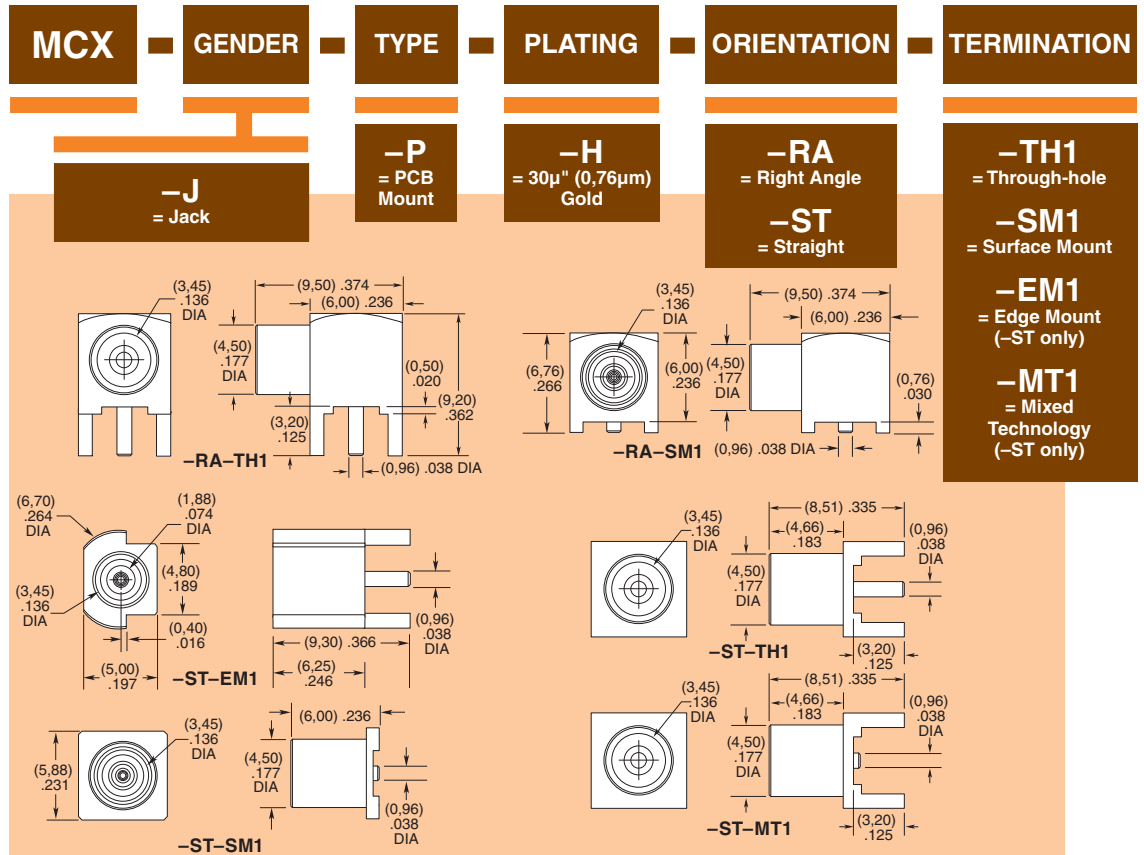
**Dielectric Withstanding Voltage:**  
1000 Vrms min, 50Hz

**Dielectric Working Voltage:**  
335 Vrms max

**Frequency Range:**  
0-6 GHz

**RoHS Compliant:**  
Yes

**Processing:**  
Lead-Free Solderable:  
Yes



Due to technical progress, all designs, specifications and components are subject to change without notice.

[WWW.SAMTEC.COM](http://WWW.SAMTEC.COM)