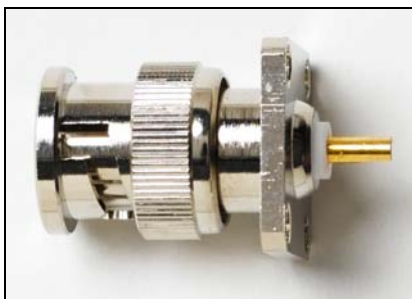
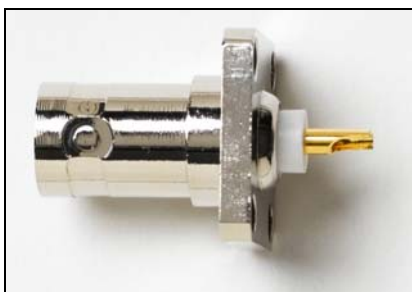


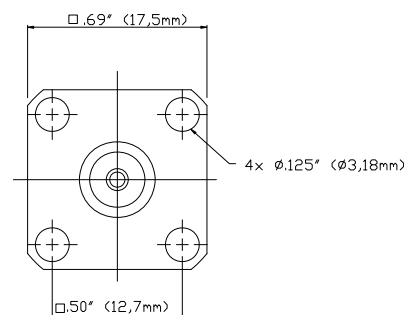
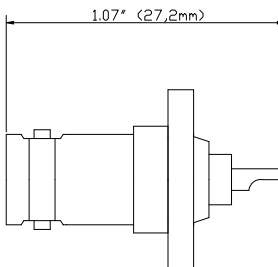
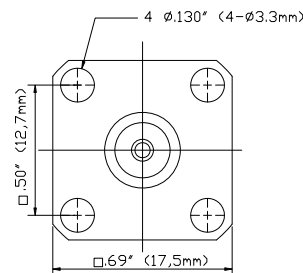
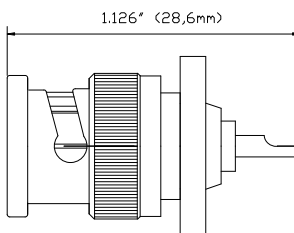
Models 6735, 6736
BNC (M), BNC (F) Panel Mount 75 Ω (0.5" spacing)



Model 6735
BNC (M) Panel Mount, 75 Ω



Model 6736
BNC (F) Panel Mount Receptacle, 75 Ω



Use for your 75 Ω panel mount broadcast applications.

Features

- U-shaped solder cup for easy solder installation
- Precision machined with gold plated contacts
- PTFE (not delrin)

Materials

- Body is machined brass with tarnish resistant nickel plating (not die cast).
- Male center pin contacts are gold plated (20 micro inches) brass. Female center contacts: Gold plated heat treated beryllium copper.
- High quality machined PTFE dielectric.

Ordering Information

Model: 6735, BNC (M) PANEL MOUNT, 75 OHM
Model: 6736, BNC (F) PANEL RECEPTACLE, 75 OHM

Specifications

Nominal Impedance	75 Ω
Voltage	500 Vrms
Frequency	0-3 GHz
VSWR	1.10 Max. 0-1 GHz 1.35 Max. 1-3 GHz
Center Contact Resistance	1.5 mΩ
Insulation Resistance	5000 MΩ
Number of Insertions	500
Operating Temperature	-85°F to +131°F (-65°C to +155°C) Max.

USA: Sales: 800-490-2361
Technical Support: technicalsupport@pomonatest.com
Fax: 425-446-5844
Europe: 31-(0) 40 2675 150 **International:** 425-446-5500
Where to Buy: www.pomonaelectronics.com

All dimensions are in inches. Tolerances (except noted): .xx = ±.02" (.51 mm), .xxx = ±.005" (.127 mm). All specifications are to the latest revisions. Specifications are subject to change without notice. Registered trademarks are the property of their respective companies.