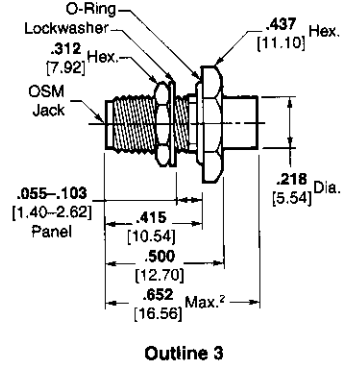
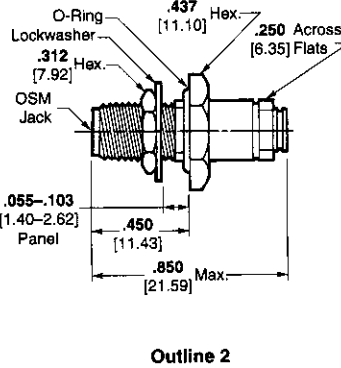
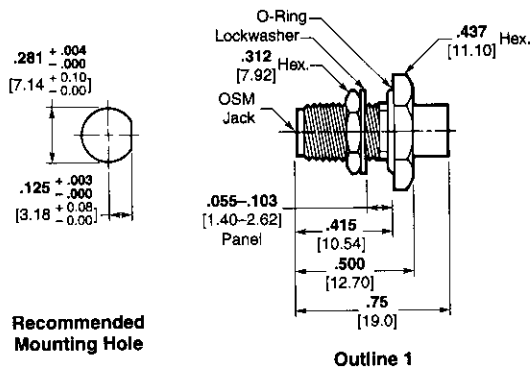


SMA Connectors MIL-C-39012 — For Semi-Rigid Cable (Continued)

MIL-C-39012/83

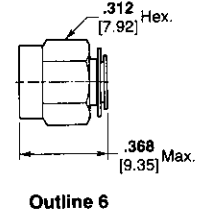
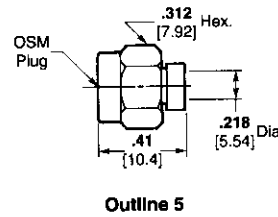
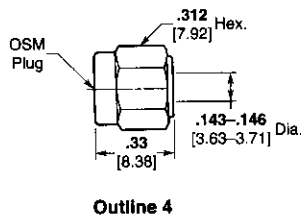


Military Part No.	AMP Part No.	M/A-COM ¹ Part No. (Ref. Only)	Outline	Category	RG/U Cable
B3001	1051022-1	2004-8001-90	1	B	405
B3002	1051023-1	2004-8002-90	1	B	402
B3003	1051024-1	2004-8003-92	2	B	405
B3003	1051030-1 ¹	2004-8203-92	3	B	405
B3004	1051025-1	2004-8004-92	2	B	402
B3004	1051031-1 ¹	2004-8204-92	3	B	402

Military Part No.	AMP Part No.	M/A-COM ¹ Part No. (Ref. Only)	Outline	Category	RG/U Cable
-3005	1051026-1	2004-8005-90	1	E	405
-3006	1051027-1	2004-8006-90	1	E	402
-3007	1051028-1	2004-8007-92	2	E	405
-3008	1051029-1	2004-8008-92	2	E	402
-3207	1051032-1 ^{1,2}	2004-8207-92	3	F	405
-3208	1051033-1 ^{1,2}	2004-8208-92	3	F	402

¹ OSCC Solderless Compression Crimp version.
² Category F Only; Overall Length; .620 [15.75] Max.
³ -92 indicates passivated stainless steel finish.
 -90 indicates gold plated finish.
 See page 7003 for description of categories and pages 7059-7064 for tooling.

MIL-C-39012/92



Military Part No.	AMP Part No.	M/A-COM ¹ Part No. (Ref. Only)	Outline	Category	RG/U Cable
B3001	1050805-1	2001-8901-92	4	B	402
B3001	1050808-1 ¹	2001-8921-92	5	B	402
B3001	1484517-1 ¹	2001-8941-92	4	B	402
*B3101	1050807-1	2001-8911-92	4	B	402
*B3101	1050809-1 ¹	2001-8931-92	5	B	402

Military Part No.	AMP Part No.	M/A-COM ¹ Part No. (Ref. Only)	Outline	Category	RG/U Cable
*B3101	1050810-1 ¹	2001-8951-92	4	B	402
B3101	227531-1 ²	—	6	B	402
-3201	1050791-1 ¹	2001-8201-92	5	F	402
*-3301	1050796-1 ¹	2001-8301-92	5	F	402
-3301	228635-1 ²	—	6	F	402

* No safety wire holes.
¹ OSCC Solderless Compression Crimp version.
² Use Hand Tool Kit Part Number 59981-1 which includes Die Set Part Number 312253-1 and Locator Part Number 220220-2.
³ -92 indicates passivated stainless steel finish.
 See page 7003 for description of categories and pages 7059-7064 for tooling.