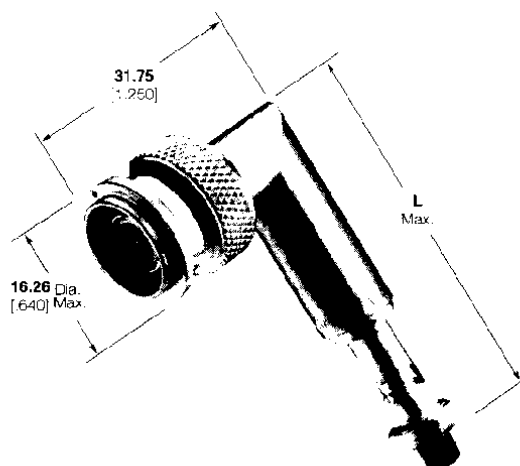
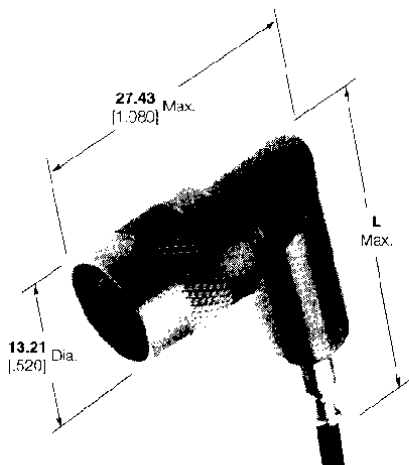


TNC Connectors, 50 Ohm (Continued)

**Right Angle Plugs,
Crimp**

O Crimp

**Mil Type
O Crimp
Weatherproof**



RG/U Cable	Termination Type	Center Contact Plating	Body Plating	Dielectric	Style	Comments	Dim. L	CERTI-CRIMP Hand Tool with Integral Die	Interchangeable Dies for PRO-CRIMPER Hand Tool 354940-1 or PRO-CRIMPER Adapter 679304-1	Part No.
174, 174A, 188, 188A, 316	O Crimp	Gold	Nickel	Polymethyl-pentene	Commercial	—	38.23 1.505	—	318450-2	414173-3
RD 188, 316 Double Braid	O Crimp	Gold	Nickel	Polymethyl-pentene	Commercial	—	38.23 1.505	—	58539-1	414173-4
58, 58A, 58B, 58C	O Crimp	Gold	Nickel	TEFLON	Mil Type	Weatherproof	47.63 1.875	220045-2	—	225559-2
58, 58A, 58B, 58C, 141, 141A, 303	O Crimp	Gold	Nickel	Polymethyl-pentene	Commercial	—	38.23 1.505	—	220189-1	414173-1
55, 55A, 55B, 223	O Crimp	Gold	Nickel	Polymethyl-pentene	Commercial	—	38.23 1.505	—	220189-1	414173-6
142, 142A, 142B, 400	O Crimp	Gold	Nickel	Polymethyl-pentene	Commercial	—	38.23 1.505	—	220189-1	414173-5
	O Crimp	Gold	Silver	TEFLON	Mil Type	Weatherproof	47.63 1.875	220045-2	—	225554-6
124, 140, 210, 62, 62A, 62B, 59, 59A, 59B, Belden 9291, 9209, 9269	O Crimp	Gold	Nickel	Polymethyl-pentene	Commercial	—	38.23 1.505	—	220189-2	414173-2
8, 8A, 213	O Crimp	Gold	Nickel	TEFLON	Mil Type	Weatherproof	63.5 2.500	220015-1	—	225559-8
393, 225	O Crimp	Gold	Silver	TEFLON	Mil Type	Weatherproof	63.5 2.500	220015-1	—	1-225554-1
9, 9A, 9B, 214	O Crimp	Gold	Silver	TEFLON	Mil Type	—	59.52 2.343	220015-1	—	225349-9