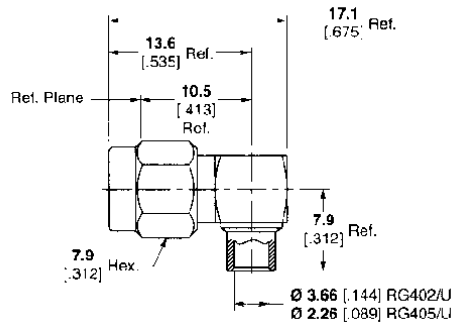
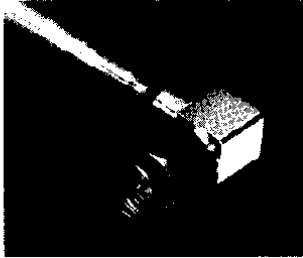


**SMA Connectors (Continued)**  
**Semi-Rigid Cable**

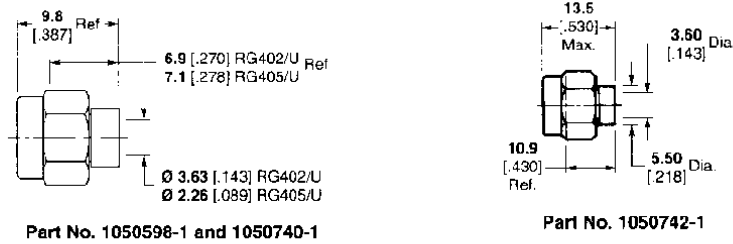
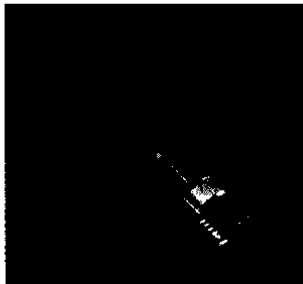
**Right Angle Cable Plug,  
Direct Solder Attachment**



Cable Type RG/U	Body Material & Finish	Contact Captivation	Contact Attachment	Solder Assembly Kit Part No.	Instruction Sheet	M/A-COM Model No.	Part No.
402 (3.58 [.141])	Stainless, Gold <sup>1</sup>	Epoxy	Solder	1055420-1	408-4831	2007-7941-02	1051151-1
405 (2.16 [.085])	Stainless, Gold <sup>1</sup>	Epoxy	Solder	1055420-1	408-4831	2007-7985-02	1051157-1
402 (3.58 [.141])	Brass, Gold	Mechanical	Solder	1055420-1	408-4831	2207-7941-09	1082030-1
405 (2.16 [.085])	Brass, Gold	Mechanical	Solder	1055420-1	408-4831	2207-7985-09	1086312-1

<sup>1</sup>Coupling nut is passivated stainless steel.

**Straight Cable Plug, Crimp**

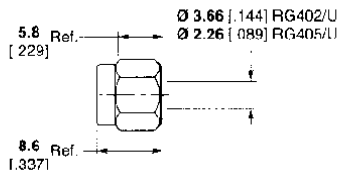
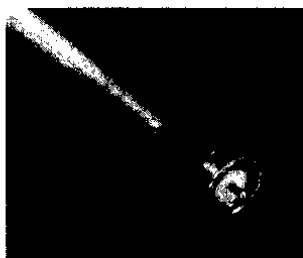


Part No. 1050598-1 and 1050740-1

Part No. 1050742-1

Cable Type RG/U	Body Material & Finish	Contact Captivation	Contact Attachment	Crimp Tooling Part No.	Instruction Sheet	M/A-COM Model No.	Part No.
405 (2.16 [.085])	Stainless, Pass.	Mechanical	Solderless	1055835-1	408-4695	2001-5385-02	1050598-1
402 (3.58 [.141])	Stainless, Pass.	No Center Contact	Solderless	1055835-1	408-4690	2001-7641-02	1050740-1
405 (2.16 [.085])	Stainless, Pass.	Mechanical	Solderless	1055835-1	408-4690	2001-7642-02	1050742-1

**Straight Cable Plug —  
Low Profile, Crimp**



Cable Type RG/U	Body Material & Finish	Contact Captivation	Contact Attachment	Crimp Tooling Part No.	Instruction Sheet	M/A-COM Model No.	Part No.
402 (3.58 [.141])	Stainless, Pass.	No Center Contact	No Center Contact	1055835-1	408-4693	2001-5363-02	1050591-1
402 (3.58 [.141])	Stainless, Pass.	Mechanical	Solderless	1055835-1	408-4696	2001-5395-02	1050602-1
405 (2.16 [.085])	Stainless, Pass.	Mechanical	Solderless	1055835-1	408-4697	2001-5443-02	1050611-1