

Cable Connectors

Straight Cable Plugs (male)

- > for semi-rigid cables
- > cable entry soldered
- > centre contact soldered

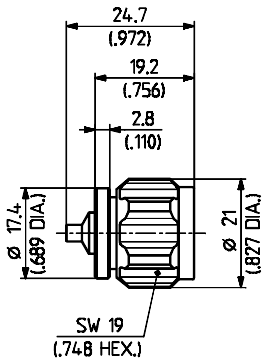


Fig. 1

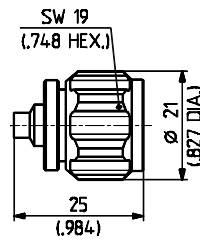


Fig. 2



SUHNER TYPE	Order No.	Cable Group (example)	Packaging	Assembly Instruction	Weight	Fig.
11 N-50-2-15 / 113 UE	22660315	Y3, Y11 (EZ 86)	single	3095	25.6 g / 0.90 oz.	1
11 N-50-3-13 / 113 NE	22542083	Y5, Y12 (EZ 141)	single	3095	29.0 g / 1.02 oz.	2

- > for semi-rigid cables
- > cable entry soldered (Fig. 1)
- > cable entry clamp (Fig. 2)
- > centre contact plugged-in
- > frequency range: DC - 18 GHz

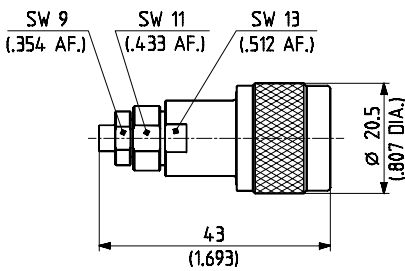


Fig. 1

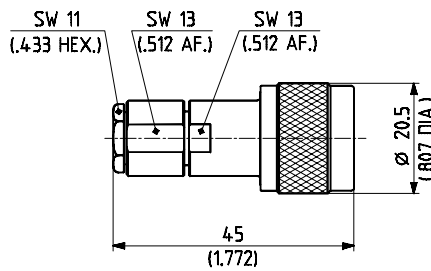


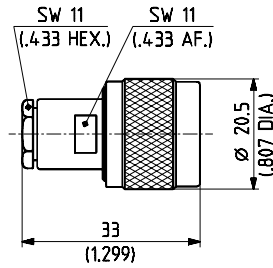
Fig. 2



SUHNER TYPE	Order No.	Cable Group (example)	Packaging	Assembly Instruction	Weight	Fig.
11 N-50-3-51 / 133 NE	22543919	Y5, Y12 (EZ 141)	single	9006	43.0 g / 1.51 oz.	1 *
11 N-50-5-39 / 133 NE	22642481	Y7 (EZ 250)	single	9089	51.0 g / 1.79 oz.	2

* stainless steel

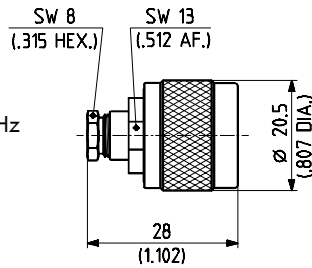
- > for flexible cables
- > cable entry clamp
- > centre contact soldered



SUHNER TYPE	Order No.	Cable Group (example)	Packaging	Assembly Instruction	Weight
11 N-50-2-1 / 133 NE	22544030	U2 (RG 316/U)	single	3017	38.0 g/ 1.33 oz.
11 N-50-2-2 / 133 NE	22643807	U4 (K 02252 D)	single	3017	38.0 g/ 1.33 oz.
11 N-50-3-5 / 133 NE	22542073	U7,10 (RG 58C/U)	single	3017	36.0 g/ 1.26 oz.

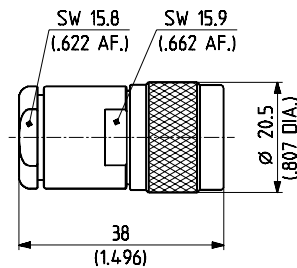
Precision Connector - low VSWR

- > for flexible cables
- > cable entry clamp
- > centre contact soldered
- > VSWR: DC-4 GHz ≤ 1.10 4-10 GHz ≤ 1.20 10-12.4 GHz ≤ 1.25



SUHNER TYPE	Order No.	Cable Group (example)	Packaging	Assembly Instruction	Weight
11 N-50-3-54 / 133 NE	22642009	RG 223/U only	single	9099	32.0 g/ 1.12 oz.

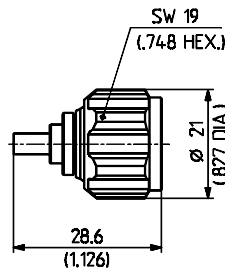
- > for flexible cables
- > cable entry clamp
- > centre contact soldered



SUHNER TYPE	Order No.	Cable Group (example)	Packaging	Assembly Instruction	Weight
11 N-50-7-5 / 133 NE	22542117	U33,28 (RG 214/U)	single	3007	51.0 g/ 1.79 oz.
11 N-50-7-6 / 133 NE	22542120	U33,28 (RG 214/U)	single	3008	51.0 g/ 1.79 oz.

☒ centre contact NOT captivated

- > for flexible cables
- > SUHNER® full crimp
- > for taper sleeves [CLICK HERE](#)



SUHNER TYPE	Order No.	Cable Group (example)	Packaging	Assembly Instruction	Crimp Insert	Weight
11 N-50-2-11 / 133 NH	22658813	U2 (RG 316/U)	bulk 100 pcs.	9068	1 A	26.5 g/0.93 oz.
11 N-50-2-16 / 133 NE	23014128	U4 (K 02252 D)	single	9068	1 A	25.4 g/0.89 oz.

- > for flexible cables
- > SUHNER® full crimp
- > for taper sleeves [CLICK HERE](#)

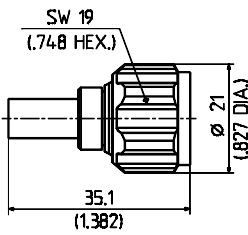


Fig. 1

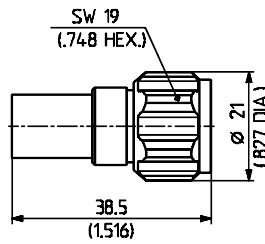
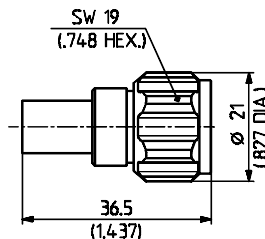


Fig. 2



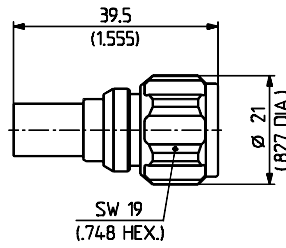
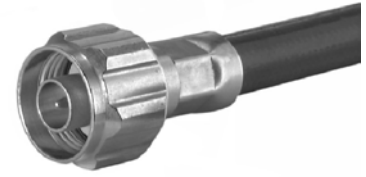
SUHNER TYPE	Order No.	Cable Group (example)	Packaging	Assembly Instruction	Crimp Insert	Weight	Fig.
11 N-50-3-28 / 133 NE	22642842	U7 (RG 58 C/U)	single	3015	2 B	23.0 g/0.81 oz.	1
11 N-50-3-29 / 133 NE	22642843	U9 (RG 223/U)	single	3015	2 B	23.0 g/0.81 oz.	1
11 N-50-3-31 / 133 NE	22648829	U11 (RG 400/U)	single	3015	2 B	28.0 g/0.98 oz.	1
11 N-50-3-31 / 133 NH	22650658	U11 (RG 400/U)	bulk 100 pcs.	3015	2 B	28.0 g/0.98 oz.	1
11 N-50-4-63 / 133 NE	22652069	S16 (S 04262 D)	single	3015	2 C	27.3 g/0.96 oz.	1
11 N-50-6-1 / 133 NE	22642488	U25 (S 06132D)	single	27035	3 D	34.0 g/1.19 oz.	2

- > for flexible cables
- > SUHNER® full crimp
- > for taper sleeves [CLICK HERE](#)



SUHNER TYPE	Order No.	Cable Group (example)	Packaging	Assembly Instruction	Crimp Insert	Weight
11 N-50-6-5 / 133 NE	22648674	S26 (S 06132 D-10)	single	27082	3/8.65	31.0 g/1.09 oz.

- > for flexible cables
- > cable entry crimp
- > centre contact plugged-in
- > for taper sleeves [CLICK HERE](#)



SUHNER TYPE	Order No.	Cable Group (example)	Packaging	Assembly Instruction	Crimp Insert	Weight
11 N-50-6-10 / 133 NH	22660330	S24 (S 06162 D-02)	bulk 100 pcs.	27091	8.65	29.5 g/ 1.03 oz.

- > for flexible cables
- > SUHNER® full crimp
- > for taper sleeves [CLICK HERE](#)

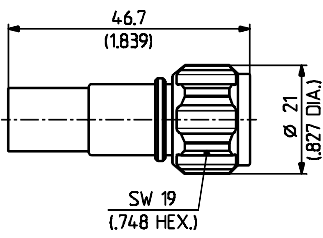


Fig. 1

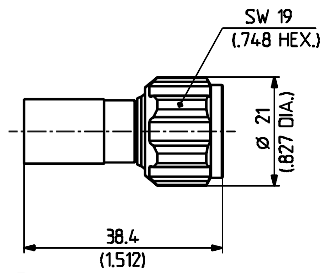


Fig. 2

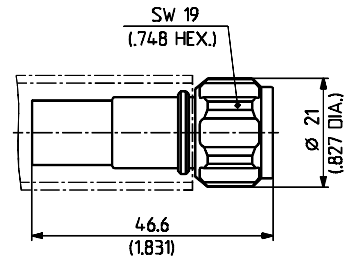
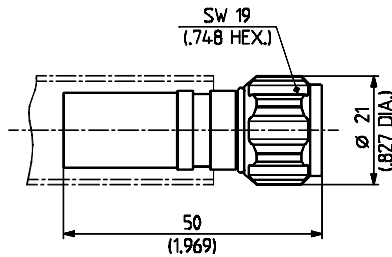


Fig. 3

SUHNER TYPE	Order No.	Cable Group (example)	Packaging	Assembly Instruction	Crimp Insert	Weight	Fig.
11 N-50-7-33 / 133 NE	22641614	U30 (S 07232)	single	9067	4 D	39.0 g/ 1.37 oz.	1
11 N-50-7-43 / 133 NE	22642844	U29 (RG 213/U)	single	3061	3 D	28.0 g/ 0.98 oz.	2
11 N-50-7-44 / 133 NE	22642845	U32 (RG 214/U)	single	3061	3 D	28.0 g/ 0.98 oz.	2
11 N-50-7-49 / 133 NE	22652111	S32 (S 07262 BD)	single	9067	4 D	40.0 g/ 1.40 oz.	3
11 N-50-7-61 / 133 NE	22651793	U33 (RG 393/U)	single	27070	2.5 D	28.5 g/ 1.00 oz.	2

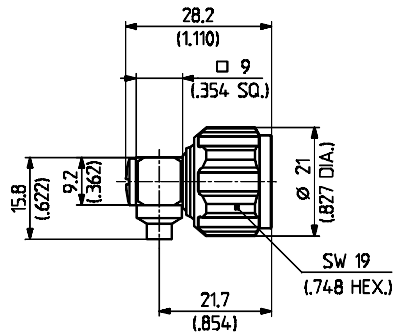
- > for flexible cables
- > cable entry crimp
- > centre contact plugged-in
- > degree of protection IP 67



SUHNER TYPE	Order No.	Cable Group (example)	Packaging	Assembly Instruction	Crimp Insert	Weight
11 N-50-10-5 / 103 UV	23002543	S39 (S 10162 B-11)	bulk 20 pcs.	27356	12.4	37.8 g / 1.32 oz.

Right Angle Cable Plugs (male)

- > for semi-rigid cables
- > cable entry soldered
- > centre contact soldered



SUHNER TYPE	Order No.	Cable Group (example)	Packaging	Assembly Instruction	Weight
16 N-50-3-15 / 133 NE	22648832	Y5 (EZ 141)	single	9200	29.1 g / 1.02 oz.

- > for flexible cables
- > cable entry clamp
- > centre contact soldered

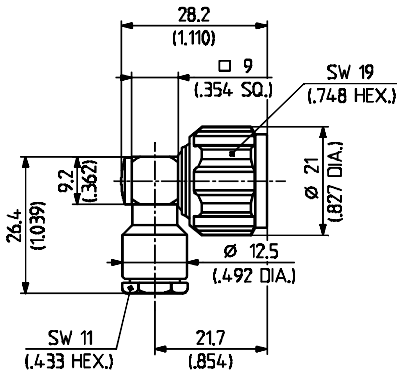


Fig. 1

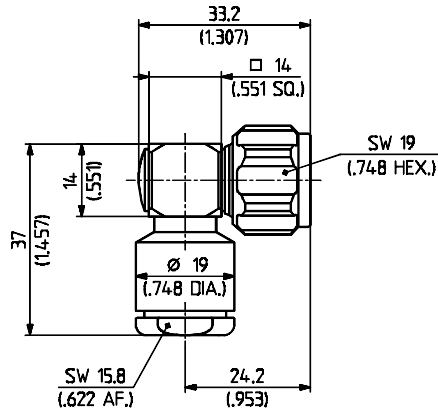


Fig. 2



SUHNER TYPE	Order No.	Cable Group (example)	Packaging	Assembly Instruction	Weight	Fig.
16 N-50-3-103 / 133 NE	22651610	U10,U7 (RG 223/U)	single	27060	37.0 g / 1.30 oz.	1
16 N-50-7-26 / 133 NE	22650825	U28,U33 (RG 213/U)	single	27121	65.0 g / 2.28 oz.	2

- > for flexible cables
- > cable entry crimp
- > centre contact soldered
- > for taper sleeves [CLICK HERE](#)

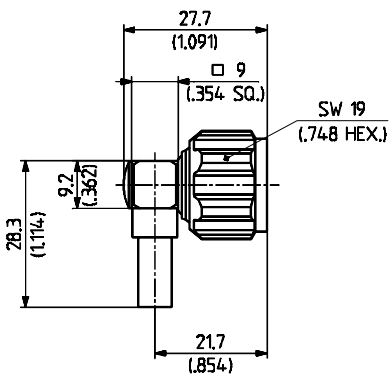


Fig. 1

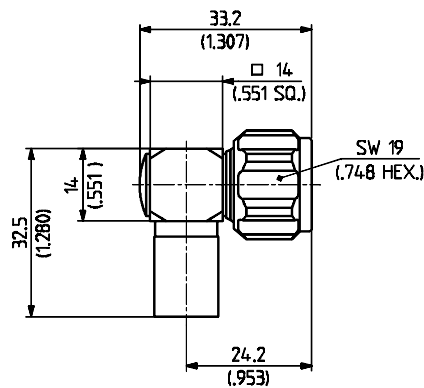


Fig. 2



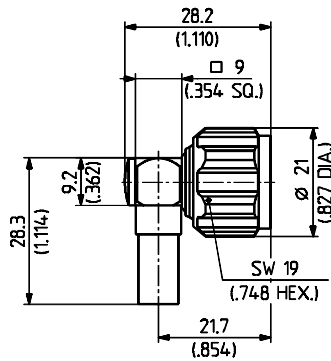
SUHNER TYPE	Order No.	Cable Group (example)	Packaging	Assembly Instruction	Crimp Insert	Weight	Fig.
16 N-50-3-26 / 133 NE	22642846	U7 (RG 58 C/U)	single	3058	B	27.0 g / 0.95 oz.	1
16 N-50-3-27 / 133 NE	22642847	U9 (RG 223/U)	single	3058	B	27.0 g / 0.95 oz.	1
16 N-50-3-27 / 133 NH	22650168	U9 (RG 223/U)	bulk 100 pcs.	3058	B	27.0 g / 0.95 oz.	1
16 N-50-7-30 / 133 NE	22642848	U29 (RG 213/U)	single	3076	D	42.0 g / 1.47 oz.	2
16 N-50-7-31 / 133 NE	22642849	U32 (RG 214/U)	single	3076	D	42.0 g / 1.47 oz.	2

> for flexible cables

> cable entry crimp

> centre contact soldered

> for taper sleeves [CLICK HERE](#)



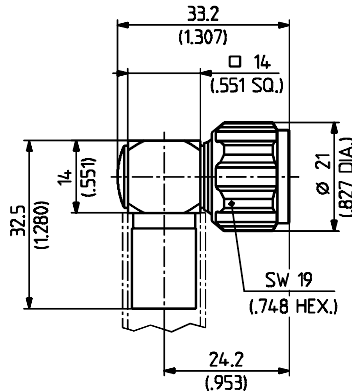
SUHNER TYPE	Order No.	Cable Group (example)	Packaging	Assembly Instruction	Crimp Insert	Weight
16 N-50-4-14 / 133 NE	23015067	S16 (S 04262 D)	single	3058	C	31.7 g / 1.11 oz.

> for flexible cables

> cable entry crimp

> centre contact soldered

> for taper sleeves [CLICK HERE](#)



SUHNER TYPE	Order No.	Cable Group (example)	Packaging	Assembly Instruction	Crimp Insert	Weight
16 N-50-7-22 / 133 NE	22651794	S32 (S 07262 BD)	single	9094	D	50.0 g / 1.75 oz.

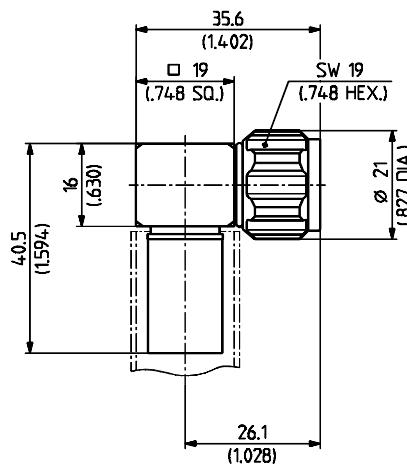
> for flexible cables

> cable entry crimp

> centre contact soldered

> degree of protection IP 67

> for taper sleeves [CLICK HERE](#)



SUHNER TYPE	Order No.	Cable Group (example)	Packaging	Assembly Instruction	Crimp Insert	Weight
16 N-50-10-1 / 103 UV	23002552	S39 (S 10162 B-11)	bulk 20 pcs.	27357	12.4	50.0 g / 1.75 oz. *

* centre contact not nickel underplated

- > for flexible cables
- > SUHNER® full crimp
- > for taper sleeves [CLICK HERE](#)

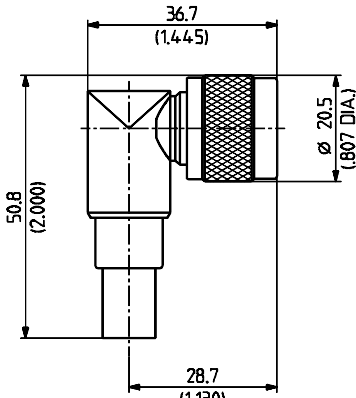


Fig. 1

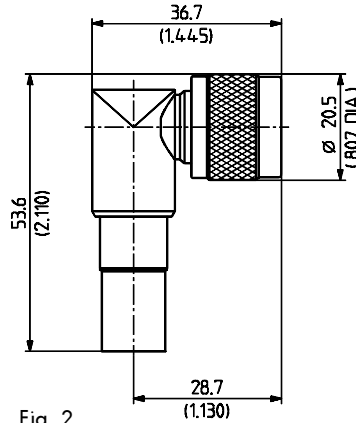


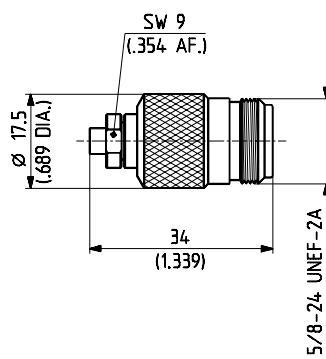
Fig. 2



SUHNER TYPE	Order No.	Cable Group (example)	Packaging	Assembly Instruction	Crimp Insert	Weight	Fig.
16 N-50-6-8 / 133 NE	22651496	S26 (S 06132 D-10)	single	27082	3/8.65	63.0 g/ 2.21 oz.	1
16 N-50-7-28 / 133 NE	22652040	U33 (RG 393/U)	single	27064	4 D	63.6 g/ 2.23 oz.	2
16 N-50-7-29 / 133 NE	22651494	U29 (RG 213/U)	single	9009	3 D	65.0 g/ 2.28 oz.	2
16 N-50-7-36 / 133 NE	22651495	U32 (RG 214/U)	single	9009	3 D	66.0 g/ 2.31 oz.	2

Straight Cable Jacks (female)

- > for semi-rigid cables
- > cable entry soldered
- > centre contact soldered



SUHNER TYPE	Order No.	Cable Group (example)	Packaging	Assembly Instruction	Frequency Range	Weight
21 N-50-2-14 / 133 NE ☒	22642666	Y3, Y11 (EZ 86)	single	9073	DC-18 GHz	38.0 g/ 1.33 oz.
21 N-50-3-11 / 133 NE ☒	22543921	Y5, Y12 (EZ 141)	single	9005	DC-12.4 GHz	38.0 g/ 1.33 oz.

☒ centre contact NOT captivated

- > for flexible cables
- > cable entry clamp
- > centre contact soldered

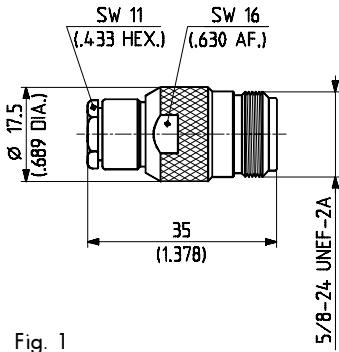


Fig. 1

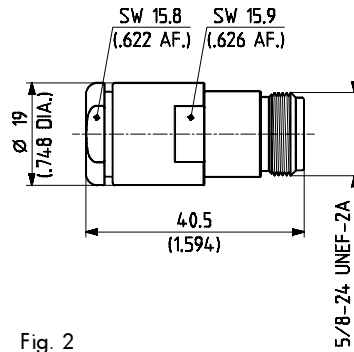


Fig. 2

SUHNER TYPE	Order No.	Cable Group (example)	Packaging	Assembly Instruction	Weight	Fig.
21 N-50-3-5 / 133 NE	22543504	U10,U7 (RG 223/U)	single	3017	38.0 g/ 1.33 oz.	1
21 N-50-7-8 / 133 NE	22542254	U28,U33 (RG 213/U)	single	3008	50.0 g/ 1.75 oz.	2

- > for flexible cables
- > SUHNER® full crimp
- > for taper sleeves [CLICK HERE](#)

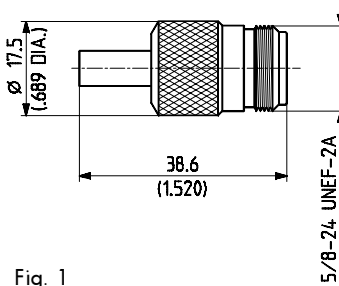


Fig. 1

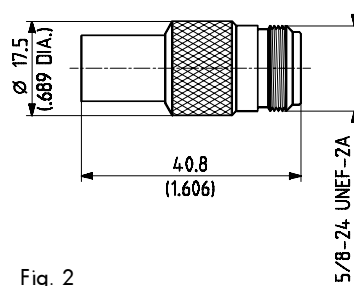
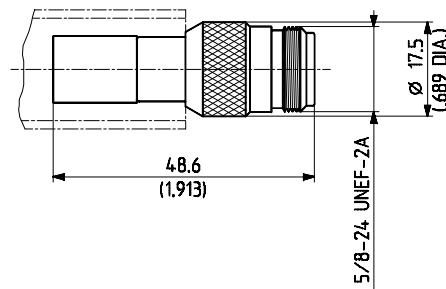


Fig. 2

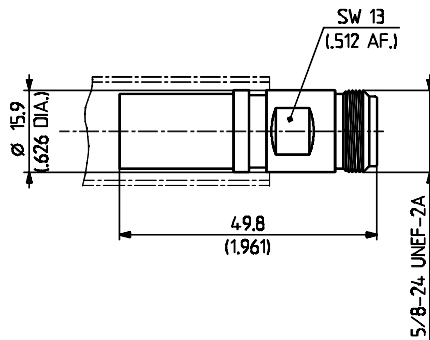
SUHNER TYPE	Order No.	Cable Group (example)	Packaging	Assembly Instruction	Crimp Insert	Weight	Fig.
21 N-50-3-7 / 133 NE	22542229	U7 (RG 58 C/U)	single	3063	2 B	36.0 g/ 1.26 oz.	1
21 N-50-3-8 / 133 NE	22542231	U9 (RG 223/U)	single	3063	2 B	36.0 g/ 1.26 oz.	1
21 N-50-3-12 / 133 NE	22651795	U11 (RG 400/U)	single	3063	2 B	35.0 g/ 1.12 oz.	1
21 N-50-7-13 / 133 NE	22542257	U29 (RG 213/U)	single	3061	3 D	38.0 g/ 1.33 oz.	2
21 N-50-7-14 / 133 NE	22542258	U32 (RG 214/U)	single	3061	3 D	37.0 g/ 1.30 oz.	2

- > for flexible cables
- > SUHNER® full crimp
- > for taper sleeves [CLICK HERE](#)
- > degree of protection IP 66



SUHNER TYPE	Order No.	Cable Group (example)	Packaging	Assembly Instruction	Crimp Insert	Weight
21 N-50-7-20 / 133 NE	22651796	S32 (S 07262 BD)	single	9067	4 D	37.0 g/ 1.30 oz.

- > for flexible cables
- > cable entry crimp
- > centre contact plugged-in
- > degree of protection IP 67

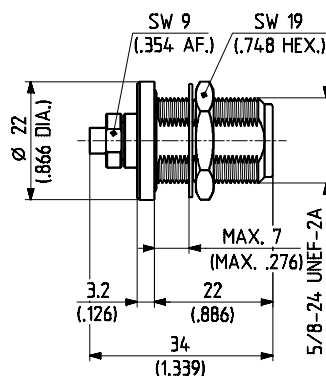


SUHNER TYPE	Order No.	Cable Group (example)	Packaging	Assembly Instruction	Crimp Insert	Weight
21 N-50-10-1 / 133 UF	23003072	S39 (S 10162 B-11)	bulk 50 pcs.	27356	12.4	38.1 g/ 1.33 oz. *

* centre contact not nickel underplated

Straight Bulkhead Cable Jacks (female)

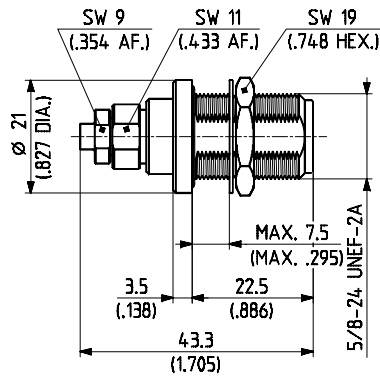
- > for semi-rigid cables
- > cable entry soldered
- > centre contact soldered
- > with panel seal
- > for insulating washers [CLICK HERE](#)



SUHNER TYPE	Order No.	Cable Group (example)	Packaging	Assembly Instruction	Frequency range	Weight
24 N-50-2-14 / 133 NE	22544637	Y3, Y11 (EZ 86)	single	9073	DC-12.4 GHz	39.0 g/ 1.37 oz.
24 N-50-3-14 / 133 NE	22542300	Y5, Y12 (EZ 141)	single	9005	DC-12.4 GHz	39.0 g/ 1.37 oz.

mounting hole ML12

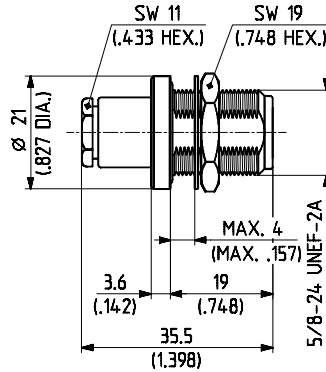
- > for semi-rigid cables
- > cable entry soldered
- > centre contact plugged-in
- > body material: stainless steel
- > with panel seal
- > for insulating washers [CLICK HERE](#)



SUHNER TYPE	Order No.	Cable Group (example)	Packaging	Assembly Instruction	Frequency range	Weight
24 N-50-3-51 / 19- NE	22642344	Y5, Y12 (EZ 141)	single	9006	DC-18GHz	45.0 g/ 1.58 oz.

mounting hole ML12

- > for flexible cables
- > cable entry clamp
- > centre contact soldered
- > with panel seal
- > for insulating washers [CLICK HERE](#)



SUHNER TYPE	Order No.	Cable Group (example)	Packaging	Assembly Instruction/ Mounting Hole	Weight
24 N-50-2-1 / 133 NE	22641239	U2 (RG 316/U)	single	9150 / ML 12	42.0 g/ 1.47 oz.

- > for flexible cables
- > cable entry clamp
- > centre contact soldered
- > with panel seal
- > for insulating washers [CLICK HERE](#)

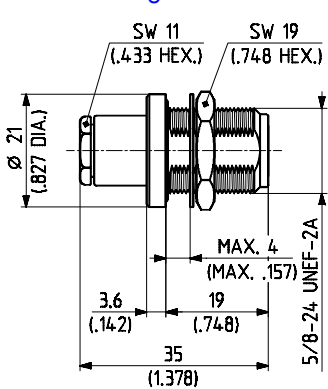


Fig. 1

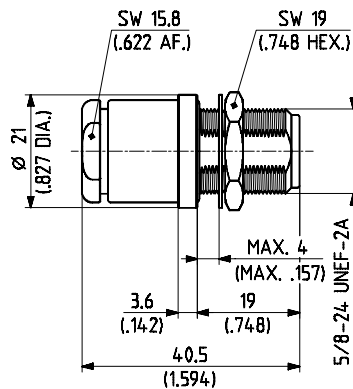


Fig. 2



SUHNER TYPE	Order No.	Cable Group (example)	Packaging	Assembly Instruction/ Mounting Hole	Weight	Fig.
24 N-50-3-10 / 133 NE	22542295	U7,10 (RG 58C/U)	single	9150 / ML 12	41.0 g/ 1.44 oz.	1
24 N-50-7-8 / 133 NE	22542323	U33,28 (RG 214/U)	single	3008 / ML 12	53.0 g/ 1.86 oz.	2

- > for flexible cables
- > SUHNER® full crimp
- > for taper sleeves [CLICK HERE](#)
- > for insulating washers [CLICK HERE](#)

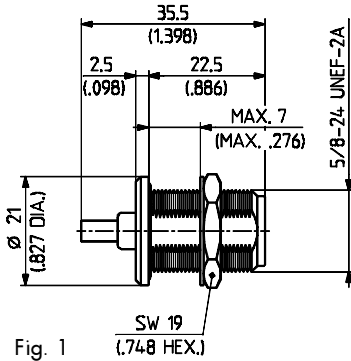


Fig. 1

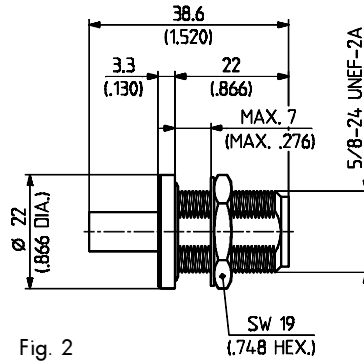


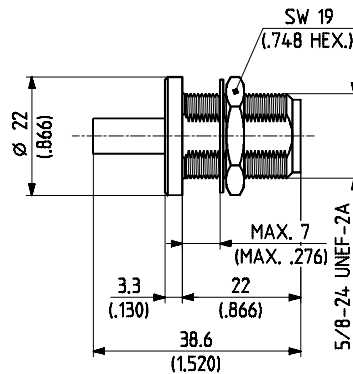
Fig. 2

SUHNER TYPE	Order No.	Cable Group (example)	Packaging	Assembly Instruction	Crimp Insert	Weight	Fig.
24 N-50-2-4 / 133 NE	22650170	U2 (RG 316/U)	single	9068	1 A	35.2 g / 1.23 oz.	1
24 N-50-2-117 / 133 NE	22660124	U4 (K 02252 D)	single	9068	1 A	36.1 g / 1.26 oz.	1
24 N-50-4-17 / 133 UE	22651789	S16 (S 04262 D)	single	3063	2 C	37.3 g / 1.31 oz.	2 *

* has to be crimped with large crimp tool or table press!
centre contact not nickel underplated

[mounting hole ML 12](#)

- > SUHNER® full crimp
- > for taper sleeves [CLICK HERE](#)
- > for insulating washers [CLICK HERE](#)

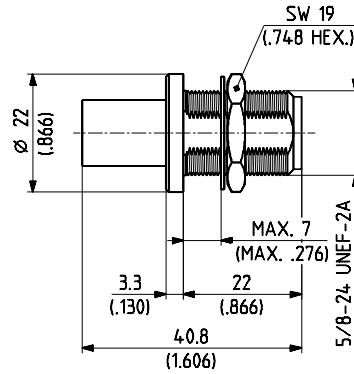


SUHNER TYPE	Order No.	Cable Group (example)	Packaging	Assembly Instruction	Crimp Insert	Weight	Note
24 N-50-3-11 / 133 NE	22542296	U7 (RG 58 C/U)	single	3063	2 B	38.0 g / 1.33 oz.	*
24 N-50-3-12 / 133 NE	22542297	U9 (RG 223/U)	single	3063	2 B	38.0 g / 1.33 oz.	*

* has to be crimped with large crimp tool or table press!

[mounting hole ML 12](#)

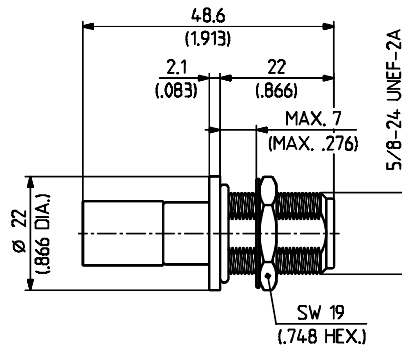
- > SUHNER® full crimp
- > for taper sleeves [CLICK HERE](#)
- > for insulating washers [CLICK HERE](#)



SUHNER TYPE	Order No.	Cable Group (example)	Packaging	Assembly Instruction	Crimp Insert	Weight
24 N-50-7-14 / 133 NE	22542326	U29 (RG 213/U)	single	3061	3 D	40.0 g/ 1.40 oz.
24 N-50-7-15 / 133 NE	22542327	U32 (RG 214/U)	single	3061	3 D	40.0 g/ 1.40 oz.

[mounting hole ML 12](#)

- > SUHNER® full crimp
- > for taper sleeves [CLICK HERE](#)
- > for insulating washers [CLICK HERE](#)



SUHNER TYPE	Order No.	Cable Group (example)	Packaging	Assembly Instruction	Crimp Insert	Weight
24 N-50-7-24 / 133 NE	22649912	U33 (RG 393/U)	single	27064	3 D	39.3 g/ 1.38 oz.

[mounting hole ML 12](#)

Straight Panel Cable Jacks (female)

- > for semi-rigid cables
- > cable entry soldered
- > centre contact soldered
- > for fastening screws [CLICK HERE](#)

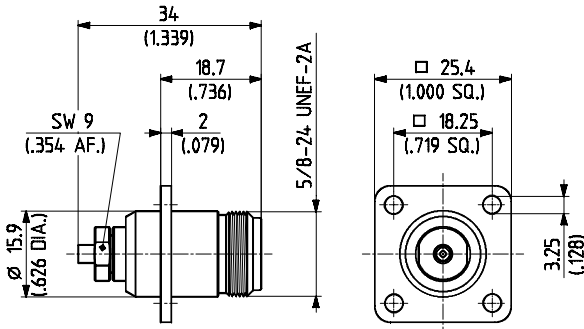


Fig. 1

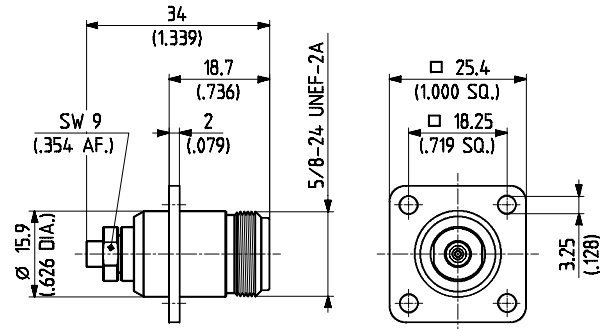
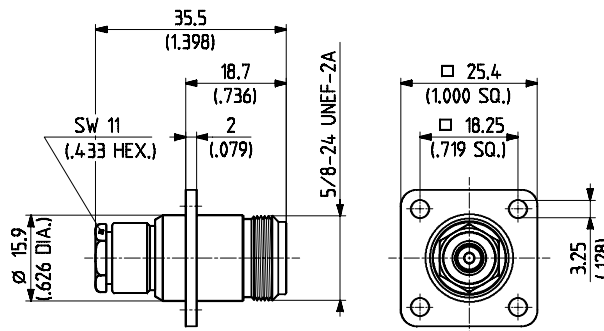
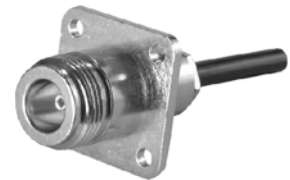


Fig. 2

SUHNER TYPE	Order No.	Cable Group (example)	Packaging	Assembly Instruction	Frequency Range	Weight	Fig.
25 N-50-2-14 / 133 NE	22641303	Y3, Y11 (EZ 86)	single	9073	DC-12.4 GHz	42.0 g / 1.47 oz.	1
25 N-50-3-9 / 133 NE	22543952	Y5, Y12 (EZ 141)	single	9005	DC-12.4 GHz	42.0 g / 1.47 oz.	2

mounting hole ML 14

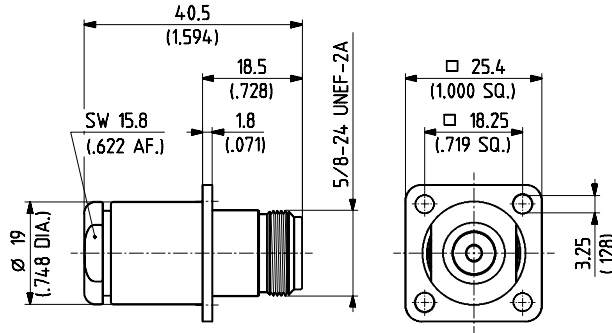
- > for flexible cables
- > cable entry clamp
- > centre contact soldered
- > for fastening screws [CLICK HERE](#)



SUHNER TYPE	Order No.	Cable Group (example)	Packaging	Assembly Instruction/ Mounting Hole	Weight
25 N-50-2-2 / 133 NE	22542332	U2 (RG 316/U)	single	3017 / ML 14	45.0 g / 1.58 oz.
25 N-50-3-4 / 133 NE	22542342	U7,10 (RG 58C/U)	single	3017 / ML 14	44.0 g / 1.54 oz.

⊞ centre contact NOT captivated

- > for flexible cables
- > cable entry clamp
- > centre contact soldered
- > for fastening screws [CLICK HERE](#)



SUHNER TYPE	Order No.	Cable Group (example)	Packaging	Assembly Instruction/ Mounting Hole	Weight
25 N-50-7-8 / 133 NE	22542366	U33,28 (RG 214/U)	single	3008 / ML 18	55.0 g / 1.93 oz.

- > for flexible cables
- > SUHNER® full crimp
- > for fastening screws [CLICK HERE](#)
- > for taper sleeves [CLICK HERE](#)

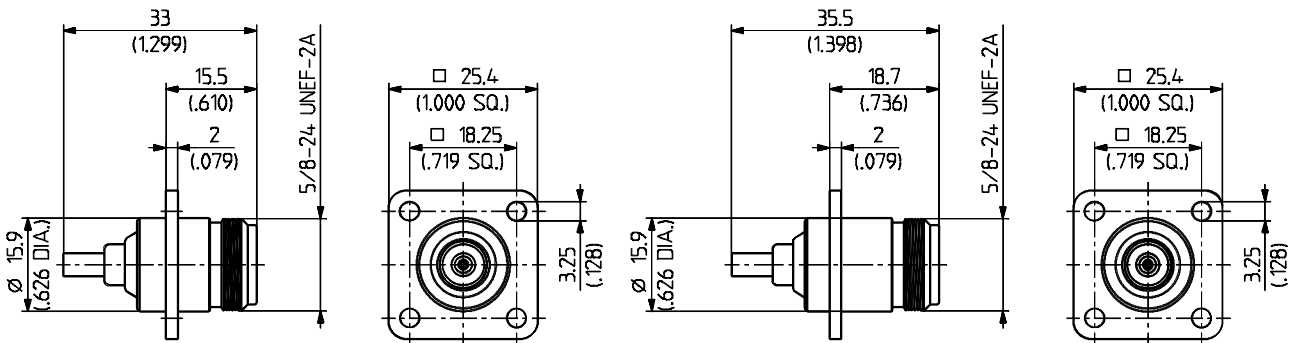


Fig. 1

Fig. 2

SUHNER TYPE	Order No.	Cable Group (example)	Packaging	Assembly Instruction	Crimp Insert	Weight	Fig.
25 N-50-2-9 / 133 NE	22651072	U2 (RG 316/U)	single	3068	1 A	34.5 g / 1.21 oz.	1
25 N-50-2-10 / 133 NE	22651054	U4 (K 02252 D)	single	3068	1 A	38.6 g / 1.35 oz.	2

mounting hole ML 14

- > for flexible cables
- > SUHNER® full crimp
- > for fastening screws [CLICK HERE](#)
- > for taper sleeves [CLICK HERE](#)

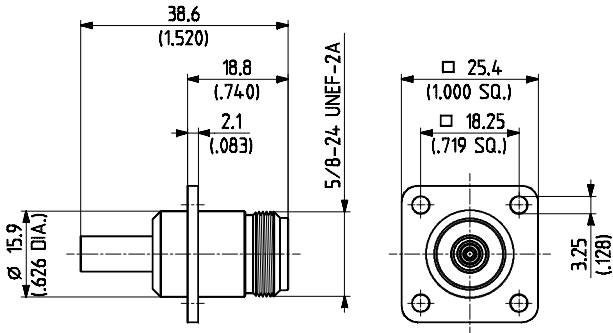


Fig. 1

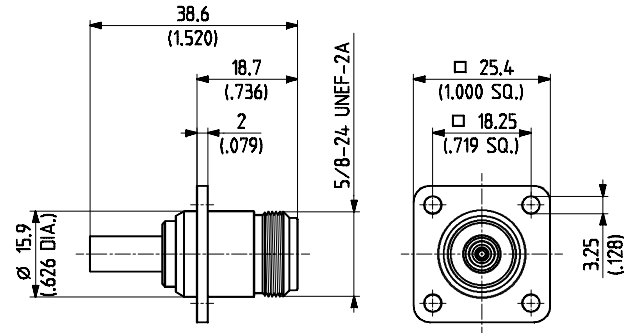
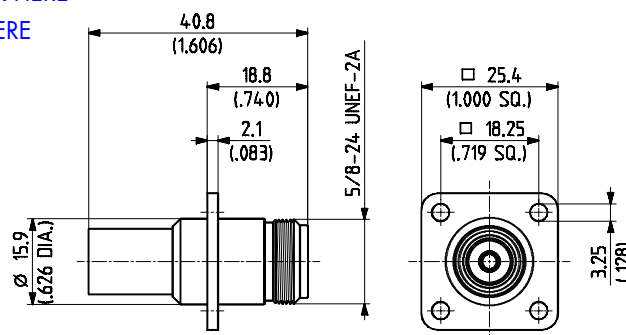


Fig. 2

SUHNER TYPE	Order No.	Cable Group (example)	Packaging	Assembly Instruction	Crimp Insert	Weight	Fig.
25 N-50-3-6 / 133 NE	22542346	U7 (RG 58 C/U)	single	3063	2 B	39.0 g / 1.37 oz.	1
25 N-50-3-7 / 133 NE	22542348	U9 (RG 223/U)	single	3063	2 B	39.0 g / 1.37 oz.	1
25 N-50-3-20 / 133 NE	22649913	U11 (RG 400/U)	single	3063	2 B	37.0 g / 1.30 oz.	2

[mounting hole ML 14](#)

- > for flexible cables
- > SUHNER® full crimp
- > for fastening screws [CLICK HERE](#)
- > for taper sleeves [CLICK HERE](#)



SUHNER TYPE	Order No.	Cable Group (example)	Packaging	Assembly Instruction	Crimp Insert	Weight
25 N-50-7-13 / 133 NE	22542369	U29 (RG 213/U)	single	3061	3 D	42.0 g / 1.47 oz.
25 N-50-7-14 / 133 NE	22542370	U32 (RG 214/U)	single	3061	3 D	42.0 g / 1.47 oz.

[mounting hole ML 14](#)