

SF 2997-6009

NOTES:

1. MATING:

Jack: Interface Dimensions per Mil-C-39012/SMA Series and Solitron/Microwave MD-107.

Plug (slide-on): Mates with all SMA Jack per Mil-C-39012.

2. MATERIALS:

Body: Stainless Steel per QQ-S-764, Type 303, Cond. A.

Contacts: Beryllium Copper per QQ-C-530, Cond. H.

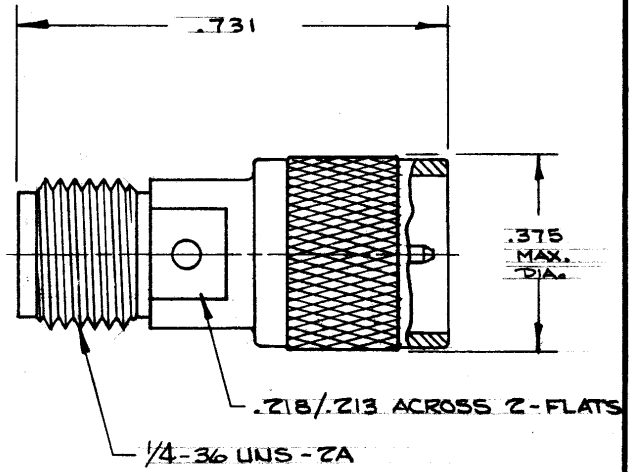
Insulator: Teflon per Mil-T-19468A.

3. FINISH:

Body: Passivate per QQ-P-35A, Type I.

Contact (Outer): Gold per Mil-G-45204, Type II, Class 1; over Copper per Mil-C-14550, Class 4.

Contact (Center): Gold per Mil-G-45204, Type II, Class 2; over Copper per Mil-C-14550, Class 4.



SYM	DESCRIPTION	DATE	APPR.	UNLESS OTHERWISE SPECIFIED	SOLITRON/MICROWAVE PORT SALERNO, FLORIDA			REF.
REL.	F-05540	12-76	DGG	1. REMOVE ALL BURRS	MATERIAL			ENGINEERING DATA DRAWING
A REV.	F-05567	1-4-77	DGG	2. BREAK ALL CORNERS & EDGES .005 R MAX.				FINISH
B REV.	F-05599	1-19-77	DGG	3. CHAMFER 1ST & LAST THREADS 45°	DRAWN <u>ND</u> DATE <u>12-27-76</u>			
C REV.	F-05605	1-24-77	DGG	4. SURFACE ROUGHNESS 63 MIL-STD-10				CHECKED _____ DATE _____
D REV.	F-05648	2-11-77	DGG	5. DIAMETERS ON COMMON CENTERS TO BE CONCENTRIC WITHIN T.I.R.	APPROVED <u>DGG</u> DATE <u>12-28-76</u>			
E REV.	F-6120	4/20/77	DGG	6. ALL DIMENSIONS ARE AFTER PLATING				SCALE
F REV.	F-6886	1/79	DGG	DIMENSIONS ARE IN INCHES TOLERANCES	<u>#</u>	95077	A	
				DECIMALS FRACTIONAL ANGULAR				
				.X ± .030				
				.XX ± .015	± 1/64			
				.XXX ± .005		X'X' ± 15'		

ENG FILE COPY

"DESIGN CRITERIA"

SF2997-6009

REQUIREMENT	RATING	REQUIREMENT	RATING
Nominal Impedance (ohms)	50	Vibration	MIL-STD-202 method 204 Cond. D (20G's)
Frequency Range (ghz)	DC-18.0		
Voltage Rating (max. vrms)	335		
Temperature Rating (degrees centigrade)	-65 To +165		
VSWR (max.)	1.05 +.005xFGHz		
Insertion Loss (dB max.)	.04dBx√FGHz		
RF Leakage (min. dB down)	60 dB-FGHZ	Shock	MIL-STD-202 method 213 Cond. I (100G's)
RF High Potential (max. vrms)	670 AT 5MHz		
Dielectric Withstanding Voltage (max. vrms)	1000	Temperature Cycling	MIL-STD-202 method 102 - Cond. C (-65°C To +200°C)
Insulation Resistance (min. megohms)	5000		
Contact Resistance Center Contact (max. milliohms) Outer Contact (max. milliohms)	6.0 4.0	Corrosion	MIL-STD-202 method 101 Cond. B (48 hrs.)
Center Contact Axial Forces Insertion (max. ounces) Withdrawal (min. ounces)	FEMALE SOCKET 48.0 2.0		
	MALE PIN N/A		
Connector Durability (min. cycles)	2000	Barometric Pressure (Altitude)	MIL-STD-202 method 105 Cond. C (70,000 ft.) (250 vrms)
Connector Engagement (Axial Forces) Connector Disengagement	10.0 Lbs. Max 6.0 Oz. Min.		
		Hermeticity	N/A
		CONTACT CAPTIVATION: Axial Force (lbs. min.) Radial Torque (in.oz.min.)	10 4

REMARKS: 1.) RECOMMENDED MATING TORQUE: 7-10 INCH POUNDS.

TITLE SMA, JACK TO PLUG (SLIDE-ON), ADAPTER	SOLITRON/MICROWAVE PORT SALERNO, FLORIDA	SHEET 2 OF 2	DRAWING NO. SF2997-6009	REV. F
---	---	--------------	----------------------------	-----------