

4

3

2

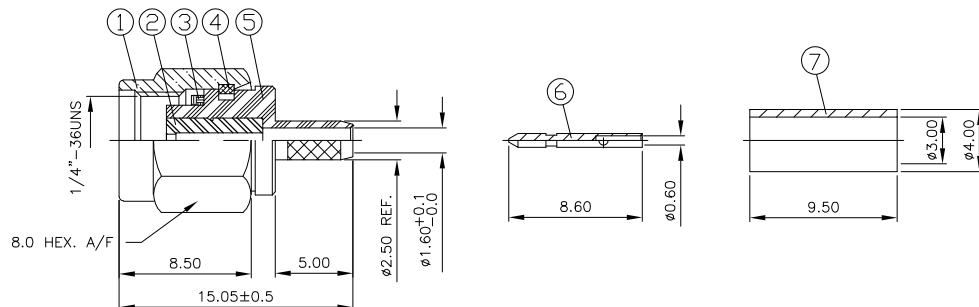
1

THIS DRAWING IS UNPUBLISHED. RELEASED FOR PUBLICATION APRIL, 2004.
 © COPYRIGHT 2004 BY TYCO ELECTRONICS CORPORATION. ALL RIGHTS RESERVED.

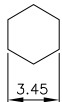
| LOC | | DIST | | REVISIONS | | | |
|-----|-----|--------------|--|-----------|-----|------|--|
| P | LTR | DESCRIPTION | | DATE | DWN | APVD | |
| A | | EBD0-0035-03 | | 03FEB04 | RS | FWK | |

NOTES:

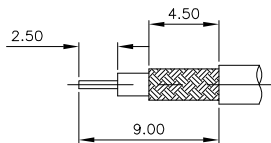
- 1 SINGLE PACK IN ACCORDANCE WITH SPEC 107-3275
- 2 100 TRAY PACK IN ACCORDANCE WITH SPEC 107-3275
- 3 0.08µm Au PLATING OVER 1.27µm Ni PLATING
- 4 0.08µm Au PLATING OVER 1.27µm Ni PLATING OVER 0.76µm Cu PLATING
- 5 0.76µm Au PLATING OVER 1.27µm Ni PLATING OVER 0.76µm Cu PLATING
- 6 PASSIVATED
- 7 WHITE BRONZE PLATING
- 8 PLATING AS PER BODY, EXCEPT FOR PASSIVATED WHICH IS NICKEL PLATED
- 9 HAND TOOL 9-1478240-0
- 10 DIE SET 9-1478248-0
- 11 FOR TECHNICAL DATA REFER TO YOUR LOCAL TYCO ELECTRONICS SALES OFFICE
- 12 ALL DIMENSIONS ARE NOMINAL FOR REFERENCE ONLY UNLESS OTHERWISE STATED



RECOMMENDED CRIMP SLEEVE A/F HEX



RECOMMENDED CABLE STRIPPING DIM'S



| QTY | 1 | 2 | 3 | 4 | 5 | 6 | 7 | 8 | 9 | 10 | 11 | 12 | MATERIAL | DESCRIPTION | ITEM |
|------|------|------|------|------|------|------|------|---|---|----|----|----|-----------------|----------------|------|
| 1 | 1 | 1 | 1 | 1 | 1 | 1 | 1 | 1 | 1 | 1 | 1 | 1 | BRASS | CRIMP SLEEVE | 7 |
| 1 | 1 | 1 | 1 | 1 | 1 | 1 | 1 | 1 | 1 | 1 | 1 | 1 | BRASS | CENTER CONTACT | 6 |
| 1 | 1 | - | - | - | - | - | - | - | - | - | - | - | BRASS | BODY | 5 |
| - | - | 1 | 1 | - | - | - | - | - | - | - | - | - | BRASS | BODY | 5 |
| - | - | - | - | 1 | 1 | - | - | - | - | - | - | - | STAINLESS STEEL | BODY | 5 |
| - | - | - | - | - | - | 1 | 1 | - | - | - | - | - | STAINLESS STEEL | BODY | 5 |
| 1 | 1 | 1 | 1 | 1 | 1 | 1 | 1 | 1 | 1 | 1 | 1 | 1 | STAINLESS STEEL | CIRCLIP | 4 |
| 1 | 1 | 1 | 1 | 1 | 1 | 1 | 1 | 1 | 1 | 1 | 1 | 1 | SILICON | GASKET | 3 |
| 1 | 1 | 1 | 1 | 1 | 1 | 1 | 1 | 1 | 1 | 1 | 1 | 1 | PTFE | INSULATOR | 2 |
| 1 | 1 | - | - | - | - | - | - | - | - | - | - | - | BRASS | SHELL | 1 |
| - | - | 1 | 1 | - | - | - | - | - | - | - | - | - | BRASS | SHELL | 1 |
| - | - | - | - | 1 | 1 | - | - | - | - | - | - | - | STAINLESS STEEL | SHELL | 1 |
| - | - | - | - | - | - | 1 | 1 | - | - | - | - | - | STAINLESS STEEL | SHELL | 1 |
| 4--1 | 4--0 | 3--1 | 3--0 | 2--1 | 2--0 | 1--1 | 1--0 | - | - | - | - | - | MATERIAL | DESCRIPTION | ITEM |

THIS DRAWING IS A CONTROLLED DOCUMENT.

| | | | | |
|--------------------|--|------------------------------|---------------------------|--|
| DIMENSIONS: mm | TOLERANCES UNLESS OTHERWISE SPECIFIED: | DWN R. SMITH 03FEB04 | 03FEB04 | Tyco Electronics Corporation Bideford, UK, EX39 4HE |
| 0 PLC ± | 1 PLC ± | CHK S. PARLOW 03FEB04 | 03FEB04 | |
| 2 PLC ± | 3 PLC ± | APVD F. WHEELER-KING 03FEB04 | 03FEB04 | NAME SMA STRAIGHT PLUG NON CAPTIVE SOLDER CONTACT |
| 4 PLC ± | ANGLES ± | PRODUCT SPEC 108-3460 | APPLICATION SPEC 411-3276 | CRIMP ATTACHMENT |
| MATERIAL SEE TABLE | FINISH - | WEIGHT - | SIZE A3 | RG174A/U, 188A/U, 316/U, KX3B, KX22A |
| | | | CAGE CODE 00779 | DRAWING NO 1478916 |
| | | | CUSTOMER DRAWING | RESTRICTED TO - |
| | | | SCALE 1:1 | SHEET 1 OF 1 REV A |