

4

3

2

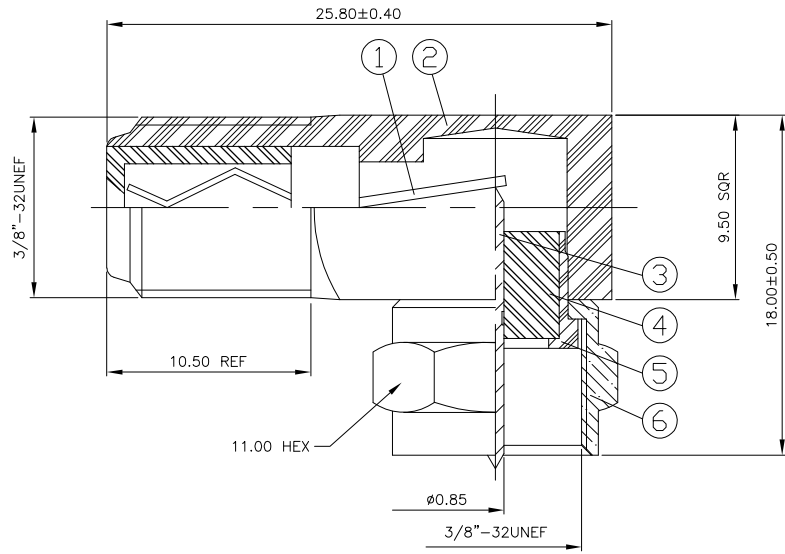
1

THIS DRAWING IS UNPUBLISHED. RELEASED FOR PUBLICATION MAR ,2004.
 © COPYRIGHT 2004 BY TYCO ELECTRONICS CORPORATION. ALL RIGHTS RESERVED.

LOC		DIST		REVISIONS			
P	LTR	DESCRIPTION		DATE	DWN	APVD	
	A	EBD0-0122-04		04MAR04	JMS	FWK	

NOTES

- ① 100 TRAY PACK IN ACCORDANCE WITH AMP SPEC 107-3275
- ② SINGLE PACK IN ACCORDANCE WITH AMP SPEC 107-3275
- ③ 2.54µm Ni PLATING
- ④ 3.05µm TIN PLATING



QTY	QTY PER ASSY	MATERIAL	DESCRIPTION	ITEM
1	1	BRASS	NUT	6
1	1	BRASS	RETAINER	5
1	1	DELTRIN	INSULATOR	4
1	1	BRASS	CONTACT	3
1	1	BRASS	BODY	2
1	1	PP+BRASS	CONTACT	1
5-1	5-0	MATERIAL	DESCRIPTION	ITEM

THIS DRAWING IS A CONTROLLED DOCUMENT.

DWN J. SANDWELL 04MAR04	Tyco Electronics Corporation Bideford, UK, EX39 4HE
CHK S. PARLOW 04MAR04	
APVD E. WHEELER-KING 04MAR04	NAME F SERIES CONNECTOR ELBOW ADAPTOR JACK - PLUG
PRODUCT SPEC	SIZE A3
APPLICATION SPEC	CAGE CODE 00779
WEIGHT	DRAWING NO 1634537
CUSTOMER DRAWING	RESTRICTED TO

SCALE: NTS SHEET 1 OF 1 REV A