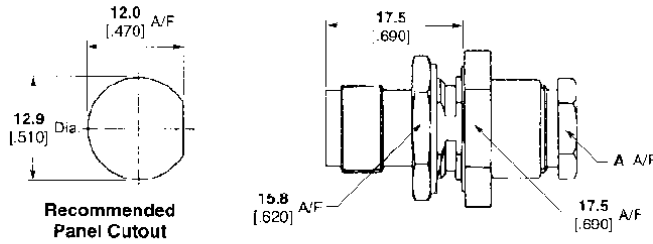


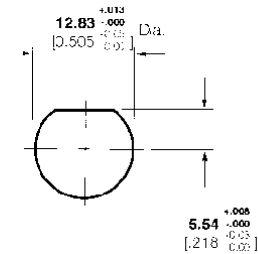
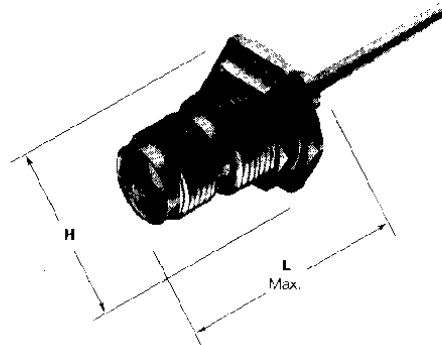
TNC Connectors, 50 Ohm (Cont nued)

**Bulkhead Jacks
Solder/Clamp**



RG/U Cable	Termination Type	Center Contact Plating	Body Plating	Dielectric	Style	M/A Com Model No.	Part No.
RG58 C/U, RG141 A/U	Solder Clamp	Gold	Silver	Teflon	Mil Type	T35H39E010X	1328580-1

**Bulkhead Jacks for
Semi-Rigid Cable,
Rear Mount**



Maximum Panel Thickness 6.35 [250]

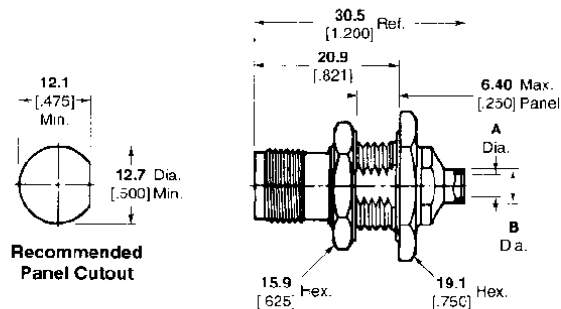
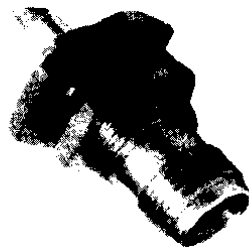
**Recommended
Panel Cutout**

H= 17.45 [687] max. across flats. 20.32 [800] max. across points.

RG/U Cable	Termination Type	Center Contact Plating	Body Plating	Dielectric	Style	Dim. L	Part No.
402 Semi-Rigid/ 3.66 [141]*	Crimp	Gold	Nickel	Teflon	Mil Type	25.4 1.000	228502-1
405 Semi-Rigid/ 2.18 [086]**	Crimp	Gold	Nickel	Teflon	Mil Type	29.7 1.169	228507-1

*Tooling—Hand Tool 59980-1, Requires (2) Crimping Dies 312253-1 and (1) Locator 220220-2.

**Tooling—Hand Tool 59980-1, Requires (2) Crimping Dies 312253-2 and (1) Locator 220221-2.



RG/U Cable	Termination Type	Center Contact Plating	Body Plating	Dielectric	Style	Dim. A	Dim. B	M/A-COM Model No.	Part No.
RG 402/U 3.66 [141]	Solder	Gold	Pass Stainless Steel	Solid PTFE	Mil Type	3.7 .144	4.6 .180	3104-7941-00	1057676-1
RG 405/U 2.16 [085]	Solder	Gold	Pass Stainless Steel	Solid PTFE	Mil Type	2.3 .089	3.0 .120	3104-7985-00	1057679-1