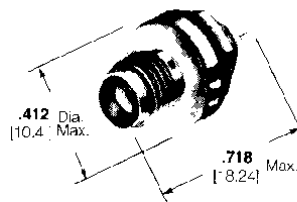


SMA Adapters and PC Board Connectors

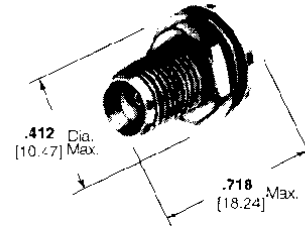
Bulkhead Solder Jacks

Rear Mount



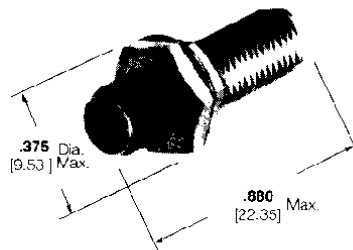
Brass body, nickel plated
Part No. 228497-1

Front Mount

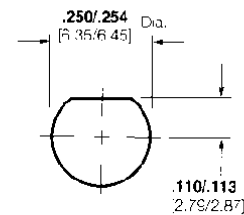


Brass body, nickel plated
Part No. 228496-1

Bulkhead Jack Adapter (Jack-Jack)



Part No. 221643-1



Panel Thickness .055/.103 [1.40/2.62]

Recommended Panel Cutout
for Bulkhead Jacks

Materials

Center Contacts—Brass per ASTM-B-16 or beryllium copper per ASTM-B-197, gold plated

Bodies—Stainless steel per ASTM-A-582, passivated

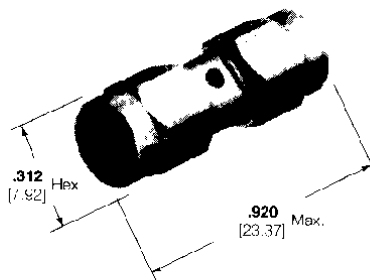
Dielectrics—TEFLON per MIL-P-19468

Gaskets—Silicone rubber per ASTM-D-1710

Finishes

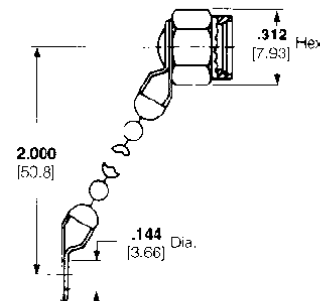
Passivate per QQ-P-35
Gold per MIL-G-45204
Nickel per QQ-N-29C

Plug Adapter (Plug-Plug)



Part No. 221639-1

Protective Cap



Brass, Nickel Plated
Part No. 501368-1

Stainless Steel, Passivated
with Safety Wire Holes
Part No. 501369-1