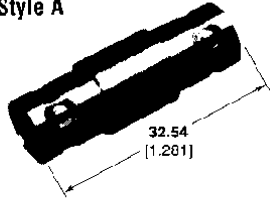


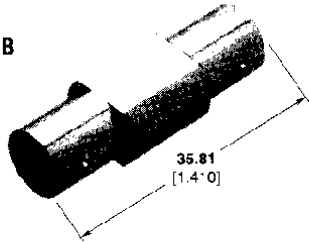
BNC Connectors, 50 Ohm (Continued)

Jack-Jack Adapters

Style A

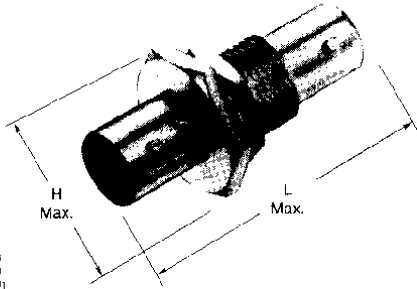
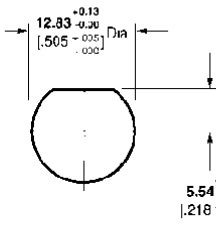


Style B



| Body Plating | Center Contact Plating | Dielectric | Style | Part No. |
|--------------|------------------------|-------------------|-------|----------|
| Nickel | Silver | TEFLON | A | 221551-1 |
| Nickel | Gold | TEFLON | A | 221551-3 |
| Nickel | Gold | Polymethylpentene | B | 414414-1 |

Bulkhead Jack-Jack Adapters



| Body Plating | Center Contact Plating | Dimensions | | Dielectric | Part No. |
|--------------|------------------------|---------------|----------------|--------------|----------|
| | | H | L | | |
| Nickel | Silver | 17.45 .687 | 38.10 1.500 | TEFLON | 330024 |
| Nickel | Gold1 | 17.78 .700 | 36.07 1.420 | Polyethylene | 228226-1 |
| Nickel | Gold2 | 17.78 .700 | 36.07 1.420 | Polyethylene | 228226-3 |

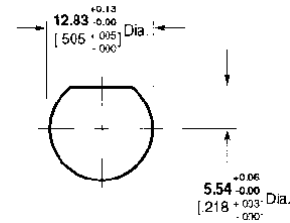
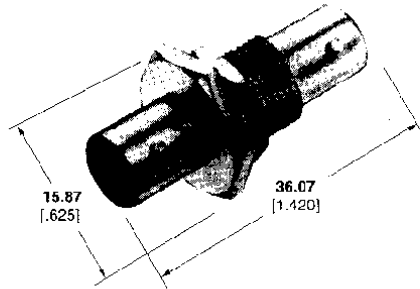
Plating:
Gold1—0.00127 [0.00050] thick Gold2—0.00076 [0.00015] thick
Note: If an Insulating Bushing is required see part number 330620 and Panel Cutout on page 54.

Recommended Panel Cutout

H= 11/16 across flats, 20.32 [800] across points.

Isolated Bulkhead Jack-Jack Adapter

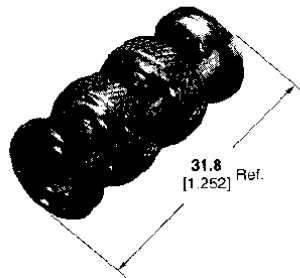
| Body Plating | Center Contact Plating | Dielectric | Part No. |
|--------------|------------------------|-------------------|----------|
| Nickel | Gold | Polymethylpentene | 414105-1 |



Recommended Panel Cutout

H= 11/16 across flats, 20.32 [800] across points

Plug-Plug Adapter

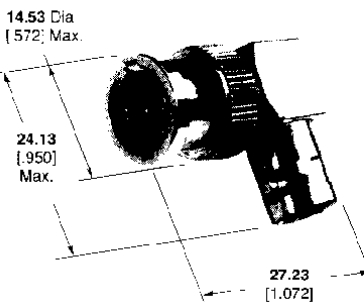


| Body Plating | M/A-COM Model No. | Part No. |
|--------------|-------------------|-----------|
| Nickel | B35P32J999X | 1312105-1 |
| Silver | B35P32E999X | 1310727-1 |

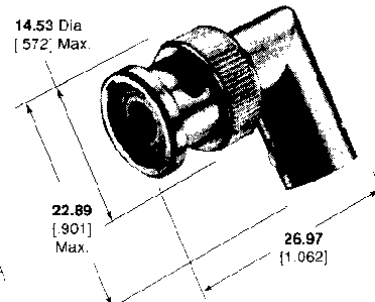
Right Angle Adapters

(Jack-Plug)

Style A



Style B



| Body Plating | Center Contact Plating | Dielectric | Style | Part No. |
|--------------|------------------------|-------------------|-------|----------|
| Nickel | Silver | TEFLON | A | 329517 |
| Nickel | Gold | TEFLON | A | 222165-2 |
| Nickel | Gold | Polymethylpentene | B | 414566-1 |