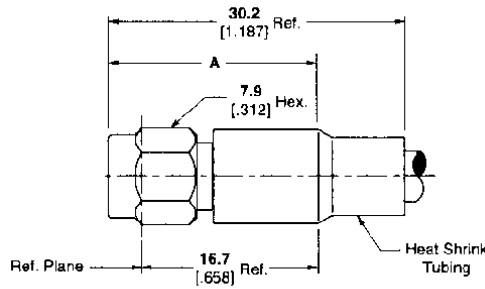
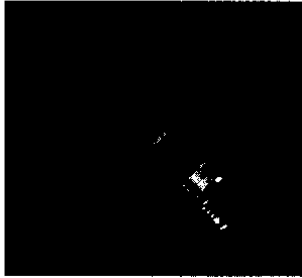


**SMA Connectors** (Continued)  
**Flexible Cable**

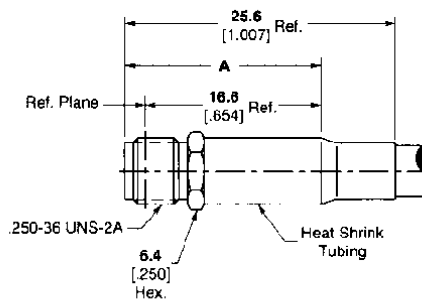
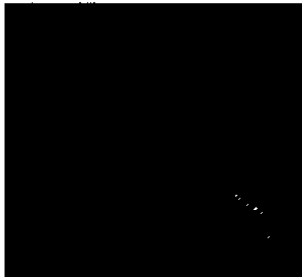
**Straight Cable Plug, Solder**



Cable Type RG/U	Body Material & Finish	Contact Captivation	Contact Attachment	Dimension A	Instruction Sheet	M/A-COM Model No.	Part No.
55, 58, 141, 142, 223, 303, 400	Stainless, Gold <sup>1</sup>	No	Solder	19.7 .775	408-4821	2031-5002-02	1051638-1
174, 188, 316	Stainless, Gold <sup>1</sup>	No	Solder	17.5 .690	408-4756	2031-5003-02	1051644-1

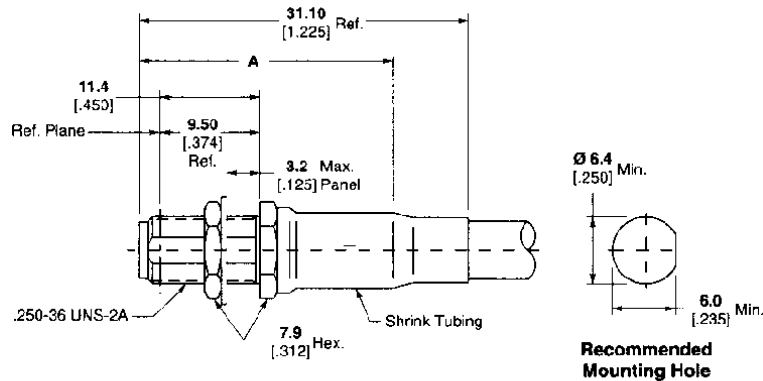
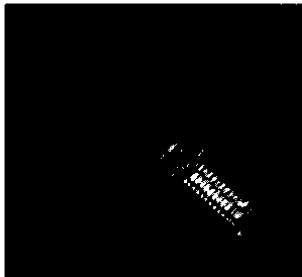
<sup>1</sup>Coupling nut is passivated stainless steel.

**Straight Cable Jack, Solder**



Cable Type RG/U	Body Material & Finish	Contact Captivation	Contact Attachment	Dimension A	Instruction Sheet	M/A-COM Model No.	Part No.
55, 58, 141, 142, 223, 303, 400	Stainless, Gold	No	Solder	18.5 .730	408-4820	2032-5002-00	1051852-1

**Bulkhead Cable Jack, Solder**



Cable Type RG/U	Body Material & Finish	Contact Captivation	Contact Attachment	Dimension A	Instruction Sheet	M/A-COM Model No.	Part No.
RG 55, 58, 141, 142, 300	Stainless, Gold	No	Solder	24.0 .945	408-4817	2034-5007-00	1051861-1
174, 188, 316	Stainless, Gold	No	Solder	21.0 .825	408-4817	2034-5008-00	1051942-1