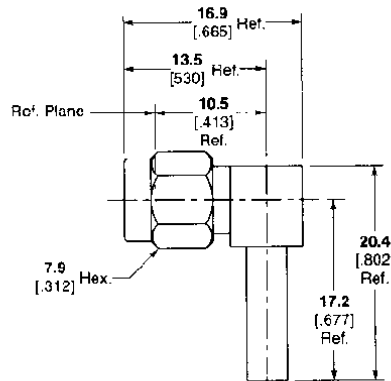
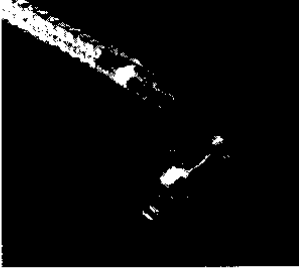


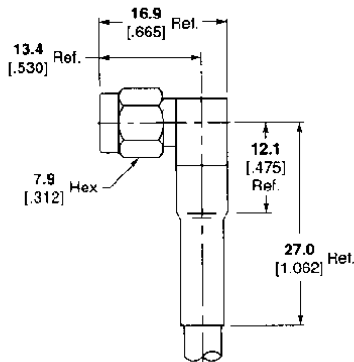
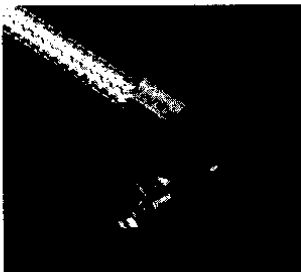
**SMA Connectors (Continued)**  
**Flexible Cable**

**Right Angle Cable Plug, Crimp**



Cable Type RG/U	Body Material & Finish	Contact Captivation	Contact Attachment	Crimp Tooling Part No.	Instruction Sheet	M/A-COM Model No.	Part No.
174, 179, 187, 188, 316	Stainless, Pass.	Mechanical	Solder	1055236-1	408-4659	2837-7388-02	<b>1056462-1</b>
58, 141, 303	Stainless, Pass.	Mechanical	Solder	1055236-1	408-4659	2837-7316-02	<b>1056456-1</b>
174, 188, 316	Stainless, Pass.	Mechanical	Solder	1055236-1	408-4659	2837-7358-02	<b>1056460-1</b>
178, 196	Stainless, Pass.	Mechanical	Solder	1055236-1	408-4659	2837-7341-02	<b>1056458-1</b>

**Right Angle Cable Plug, Crimp**



Cable Type RG/U	Body Material & Finish	Contact Captivation	Contact Attachment	Crimp Tooling Part No.	Instruction Sheet	M/A-COM Model No.	Part No.
55, 142, 223, 400	Stainless, Pass.	Epoxy	Solder	1055236-1	408-4681	2037-5007-02	<b>1052072-1</b>
58, 141, 303	Stainless, Pass.	Epoxy	Solder	1055236-1	408-4682	2037-5056-02	<b>1052093-1</b>
174, 188, 316	Stainless, Pass.	Epoxy	Solder	1055236-1	408-4683	2037-5008-02	<b>1052076-1</b>
178, 196	Stainless, Pass.	Epoxy	Solder	1055236-1	408-4801	2037-5100-02	<b>1052098-1</b>