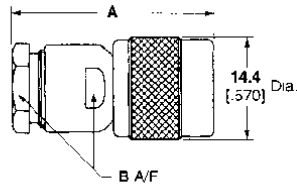


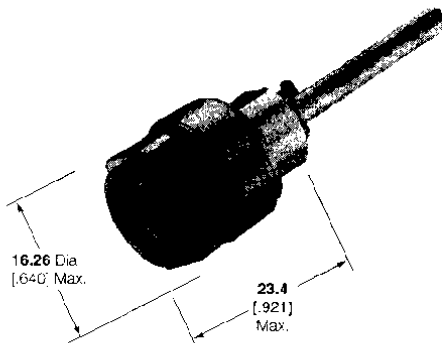
**TNC Connectors, 50 Ohm Plug**

**Plugs, Solder/Clamp**

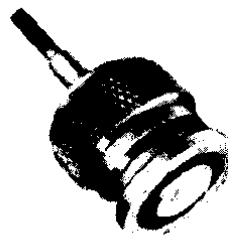


RG/U Cable	Termination Type	Center Contact Plating	Body Plating	Dielectric	Style	Dim. A	Dim. B	M/A-COM Model No.	Part No.
RG58C/U, RG141A/U	Solder Clamp	Gold	Nickel	Teflon	Mil Type	28.5 1.12	11.1 .437	T35A70J010X	1311379-1
	Solder Clamp	Gold	Silver	Teflon	Mil Type	28.5 1.12	11.1 .437	T35A70E010X	1311378-1
RG174A/U, RG188A/U, RG316/U	Solder Clamp	Gold	Nickel	Teflon	Mil Type	28.5 1.12	11.1 .437	T35A/0J022X	1328461-1
RG55B/U, RG142B/U, HG223/U, RG400/U	Solder Clamp	Gold	Nickel	Teflon	Mil Type	28.5 1.12	11.1 .437	T35A70J060X	1362489-1

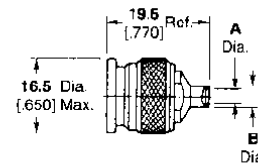
**Plugs for Semi Rigid-Cable**



**Crimp Type**



**Solder Type**



RG/U Cable	Termination Type	Center Contact Plating	Body Plating	Dielectric	Style	Comments	Dim. A	Dim. B	Interchangeable Dies for PRO-CRIMPER Hand Tool 354940-1 or PRO-CRIMPER Adapter 679304-1	Interchangeable Dies for Hand Tool 69710-1 & 626 Pneu. Head 318161-1	M/A Com Model No.	Part No.
402 Semi-Rigid/ 3.66 (.141)	Crimp	Gold	Nickel	Teflon	Commercial	Weather proof	—	—	1	2	—	228179-3
RG402/U 141 3.66 (.141)	Solder	Gold	Gold	Solid PTFE	Mil Type	—	3.7 .144	4.6 .180	—	1	3101-7941-00	1057631-1

<sup>1</sup>Hand Tool 59980-1, Requires (2) Crimping Dies 312253-1 and (1) Locator 312644-1.  
<sup>2</sup>Pneumatic Tool 58318-1, Requires (2) Crimping Dies 313720-1 and (1) Locator 312645-1.  
<sup>3</sup>Refer to Recommended Assembly Tools in Tool Section.