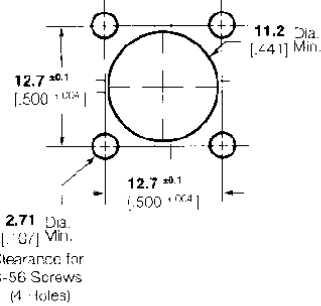
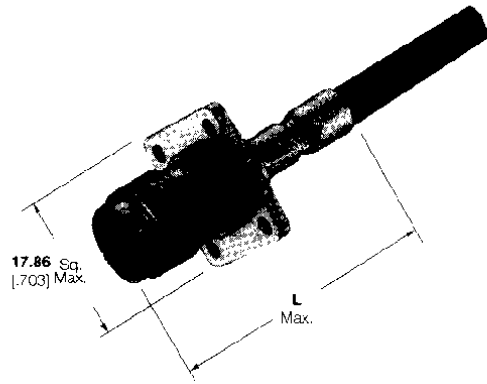




RF Coax Connectors

TNC Connectors, 50 Ohm (Continued)

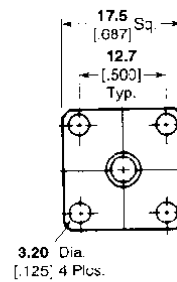
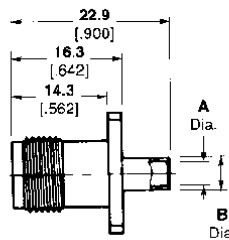
Panel Jacks, Crimp



Recommended Panel Cutout

RG/U Cable	Termination Type	Center Contact Plating	Body Plating	Dielectric	Style	Dim. L	CERTI-CRIMP Hand Tool With Integral Die	Part No.
58, 58A, 58B, 58C	Crimp	Gold	Silver	Teflon	Mil Type	34.93 1.375	220045-2	225348-2

Panel Jacks for Semi-Rigid Cable



RG/U Cable	Termination Type	Center Contact Plating	Body Plating	Dielectric	Style	Dim. A	Dim. B	M/A-COM Model No.	Part No.
RG 402/U 3.66 [.141]	Solder	Gold	Gold	Teflon	Mil Type	3.7 .144 Min.	4.6 .180	3106-7941-00	1057697-1
RG 405/U 2.16 [.085]	Solder	Gold	Gold	Teflon	Mil Type	2.3 .089 Min.	3.0 .120	3106-7985-00	1057699-1