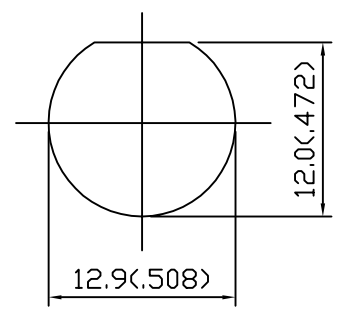
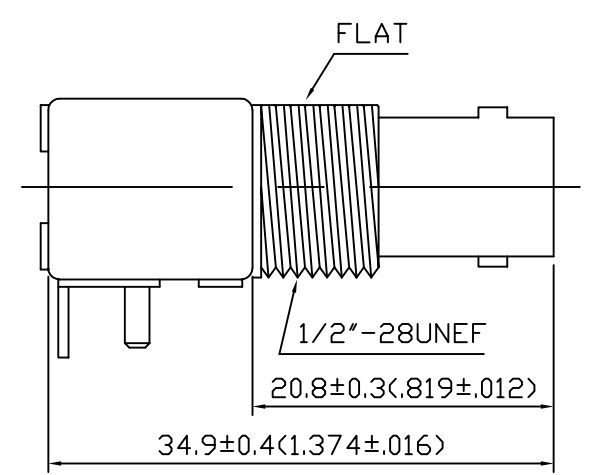
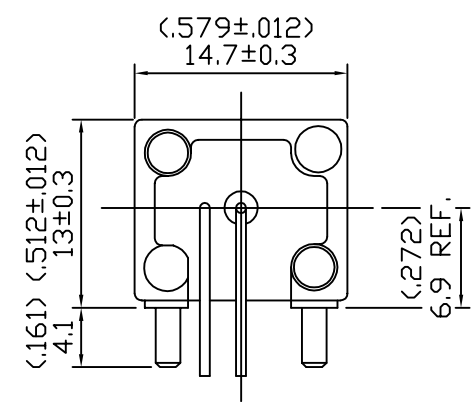
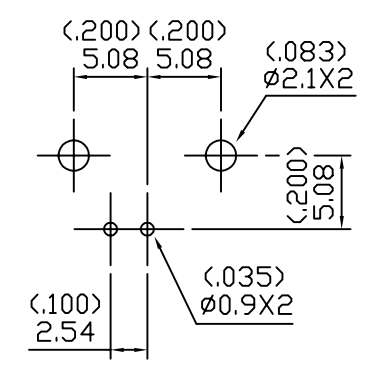


| DRAWING REVISIONS | | | |
|-------------------|----------|-----|------|
| REV | DOCUMENT | APP | DATE |
| 2 | PRELIM. | | |



PANEL HOLE



P.C.B. CONFIGURATION

NOTES:

1. SPECIFICATIONS:

MATERIALS:

- BODY: ZINC
- PLATING: NICKEL 100 MICRO INCHES MIN.
- CENTER CONTACT: PHOSPHOR BRONZE
- PLATING: GOLD FLASH MIN.
- INSULATOR: POLYPROPYLENE
- WASHER: IRON
- PLATING: NICKEL 100 MICRO INCHES MIN.
- NUT: BRASS
- PLATING: NICKEL
- MOUNTING POST: BRASS
- PLATING: TIN

ELECTRICAL

- IMPEDANCE: 50 Ohms
- FREQUENCY RANGE: 0 TO 4 GHz
- INSERTION LOSS: 0.2dB MAX.@ 1 GHz
- WORKING VOLTAGE: <= 500 V rms @ SEA LEVEL
- INSULATION RESISTANCE: >= 500 MOhms
- CONTACT RESISTANCE:
- CENTER CONTACT: 6 MILLI Ohms MAX.
- OUTER CONTACT: 3 MILLI Ohms MAX.

MECHANICAL:

- DURABILITY: 500 MATING CYCLES.
- OPERATING TEMPERATURE: -55°C TO +85°C.

2. ALL DIMENSIONS ARE IN MM AND DIMENSIONS IN () ARE IN INCHES.

| CINCH PART NO. | CINCH CATLOG NO. |
|----------------|------------------|
| 299 99 00 371 | BNC50-1401 |

| | | | | |
|--|---------------------------|------------------|---|--------------------------------------|
| UNITS METRIC | | AUTOCAD | Cinch | 1700 FINLEY RD LOMBARD, IL. 60148 |
| DO NOT SCALE DRAWING | DRAWN BY A.BALI | DATE 04/24/03 | TITLE BNC SOCKET/JACK/STRA BOARD MOUNT50 Ohms | |
| UNLESS OTHERWISE SPECIFIED: DIMENSIONS ARE IN MILLIMETERS | DESIGN ENGINEER A.BALI | 04/24/03 | MATERIAL SEE NOTE | CONTROL SPEC NUMBER |
| FILLET/RADIUS 0.50 MAX. | DESIGN ENGINEERING MGR. | | MATERIAL SPEC NUMBER | PROJECT NUMBER C14526 |
| TOLERANCES AND LIMITS APPLY OVER ADDITIVE FINISH | MFG. ENGINEERING | | CAD FILE NUMBER BNC50-1401 | DRAWING NUMBER BNC50-1401 |
| THIS DOCUMENT IS THE PROPERTY OF CINCH. NEITHER THIS DOCUMENT NOR ANY OF THE INFORMATION CONTAINED IN IT MAY BE DUPLICATED OR DISCLOSED WITHOUT PRIOR WRITTEN CONSENT OF CINCH. | QUALITY ASSURANCE | | CAGE IDENT NO. SIZE 71785 B | SCALE NTS |
| | | | | SHEET 1 OF 1 |