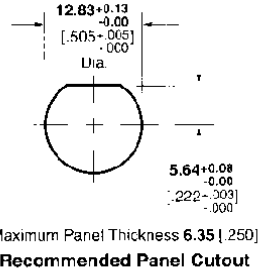
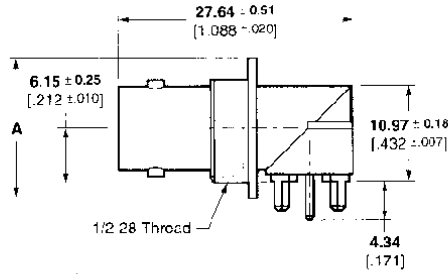
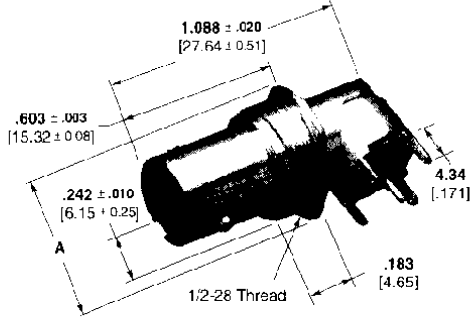


BNC Connectors, 75 Ohm (Continued)

**Right Angle Metalized Jacks
 PC Board/Panel Mount**



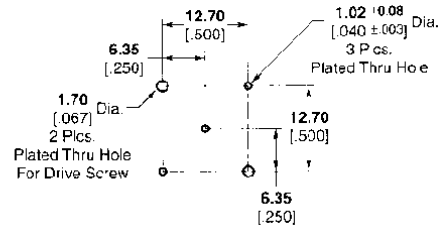
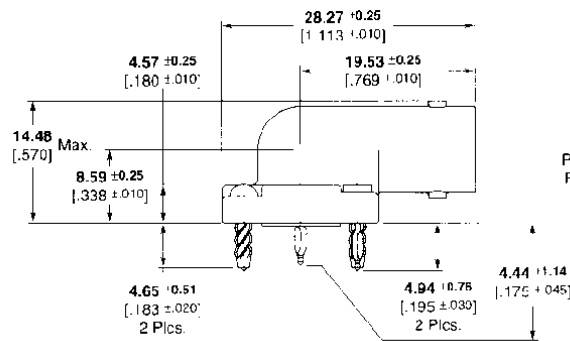
Maximum Panel Thickness 6.35 [250]
Recommended Panel Cutout



Body Plating	Dielectric	Dim. A	Part No.
Tin-Lead	TPX	16.26 .640	415373-1
Tin-Lead	TPX	11.66 .459	1274425-2

**Press Fit
 Right Angle Metalized Jack
 PC Board Mount**

Part No. 1274028-1



Recommended PCB Configuration

**Bulkhead Jack-Jack
 Adapter**

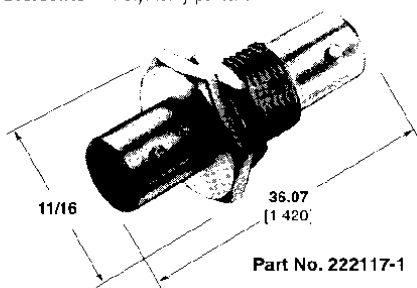
Plating

Body — Nickel
Center Contact — Gold
Dielectric — Polymethylpentene

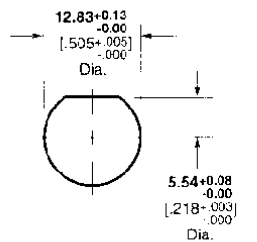
**Right Angle Adapter
 (Jack Plug)**

Plating

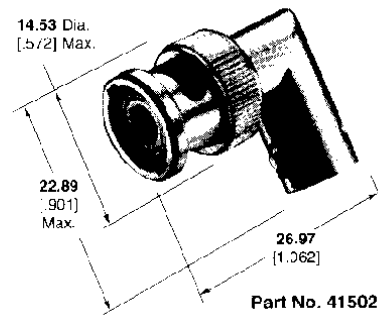
Body — Nickel
Center Contact — Gold
Dielectric — Polymethylpentene



Part No. 222117-1



Maximum Panel Thickness 6.35 [250]
Recommended Panel Cutout



Part No. 415020-1