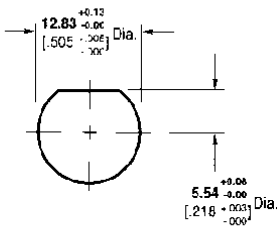


BNC Connectors, 50 Ohm (Continued)

**Vertical Jacks
PC Board/Panel Mount**

Plating
Body — Nickel
Dielectric — Polymethylpentene



Maximum Panel Thickness 6.1 [.240]

Recommended Panel Cutout

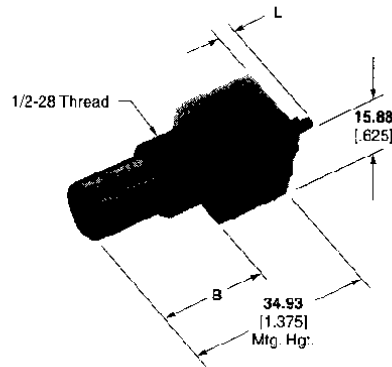
Lockwasher and Jam Nut



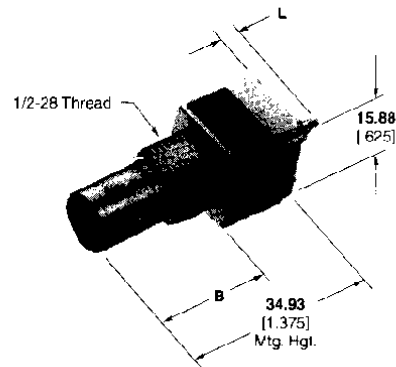
Part No.
1-329632-2

Part No.
1-329631-2

VALOX Body



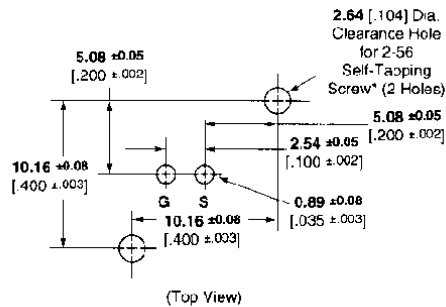
Metal Body



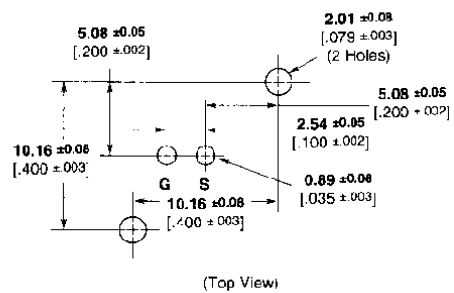
Body Material	Center Contact Plating	Dim. B	Dim. L	Part No.	
				Without Mounting Posts	With Mounting Posts
VALOX, White	Tin-Lead	21.21 .835	3.48 .137	226993-1	227222-1
	Gold	21.21 .835	3.48 .137	226993-3	227222-3
VALOX, Black	Tin-Lead	21.21 .835	3.48 .137	226993-2	227222-2
	Gold	21.21 .835	3.48 .137	226993-6	227222-6
Metal	Tin-Lead	20.83 .820	3.48 .137	227670-1	227671-1
	Gold	20.83 .820	3.48 .137	227672-1	227673-1

Note: If an Insulating Bushing is required see part number 330620 and Panel Cutout on page 54.

Without Mounting Posts



With Mounting Posts



Recommended PC Board Layouts

* Screw for board thickness of 2.38 [.093] or greater Part No. 221108-2.
Screw for thickness of less than 2.38 [.093] Part No. 221108-4.