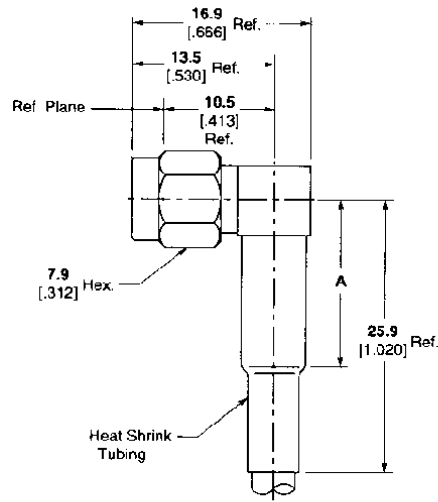


SMA Connectors (Continued)
Flexible Cable

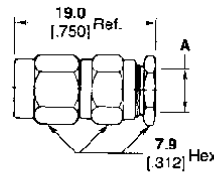
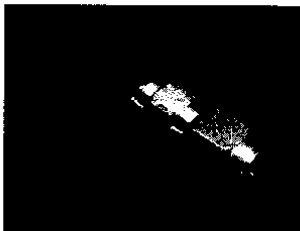
Right Angle Cable Plug, Solder



Cable Type RG/U	Body Material & Finish	Contact Captivation	Contact Attachment	Dimension A	Instruction Sheet	M/A-COM Model No.	Part No.
55, 58, 141, 142, 223, 303, 400	Stainless, Gold ¹	Yes	Solder	16.0 .630	408-4816	2037-5005-02	1052063-1
174, 188, 316	Stainless, Gold ¹	Yes	Solder	11.2 .440	408-4815	2037-5006-02	1052067-1

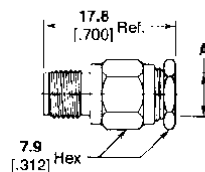
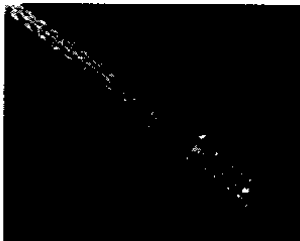
¹Coupling nut is passivated stainless steel.

Straight Cable Plug, Clamp



Cable Type RG/U	Body Material & Finish	Contact Captivation	Contact Attachment	Dimension A	Instruction Sheet	M/A-COM Model No.	Part No.
55, 58, 141, 142, 223, 303, 400	Stainless, Pass.	Yes	Solder	5.6 .220	408-4906	2001-7141-02	1050718-1
174, 188, 316	Stainless, Pass.	Yes	Solder	2.9 .116	408-4906	2001-7188-02	1050721-1

Straight Cable Jack, Clamp



Cable Type RG/U	Body Material & Finish	Contact Captivation	Contact Attachment	Dimension A	Instruction Sheet	M/A-COM Model No.	Part No.
RG 55, 58, 141, 303	Stainless, Gold	Yes	Solder	5.6 .220	408-4906	2002-7141-00	1050900-1
174, 188, 316	Stainless, Pass.	Yes	Solder	2.9 .116	408-4906	2002-7188-02	1050903-1