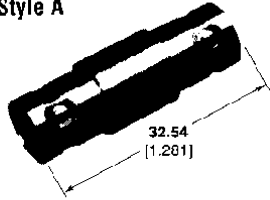


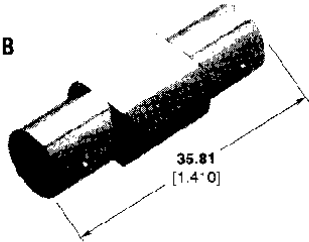
BNC Connectors, 50 Ohm (Continued)

Jack-Jack Adapters

Style A

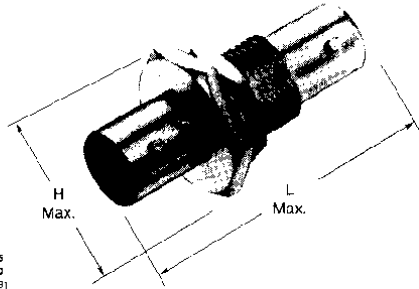
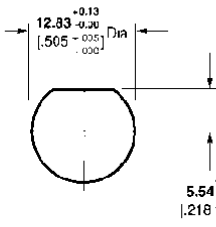


Style B



Body Plating	Center Contact Plating	Dielectric	Style	Part No.
Nickel	Silver	TEFLON	A	221551-1
Nickel	Gold	TEFLON	A	221551-3
Nickel	Gold	Polymethylpentene	B	414414-1

Bulkhead Jack-Jack Adapters



Body Plating	Center Contact Plating	Dimensions		Dielectric	Part No.
		H	L		
Nickel	Silver	17.45 .687	38.10 1.500	TEFLON	330024
Nickel	Gold1	17.78 .700	36.07 1.420	Polyethylene	228226-1
Nickel	Gold2	17.78 .700	36.07 1.420	Polyethylene	228226-3

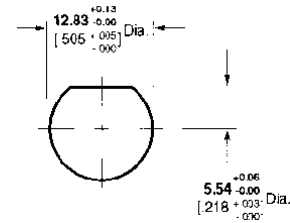
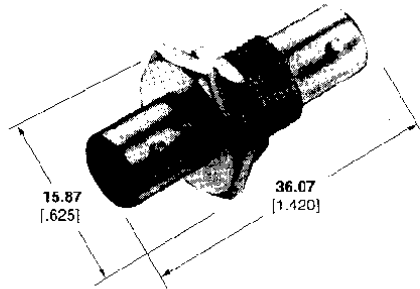
Plating:
Gold1—0.00127 [0.00050] thick Gold2—0.00076 [0.00015] thick
Note: If an Insulating Bushing is required see part number 330620 and Panel Cutout on page 54.

Recommended Panel Cutout

H= 11/16 across flats, 20.32 [800] across points.

Isolated Bulkhead Jack-Jack Adapter

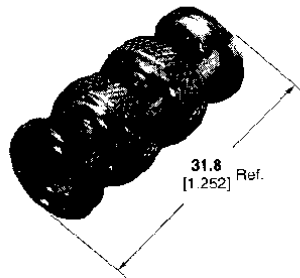
Body Plating	Center Contact Plating	Dielectric	Part No.
Nickel	Gold	Polymethylpentene	414105-1



Recommended Panel Cutout

H= 11/16 across flats, 20.32 [800] across points

Plug-Plug Adapter

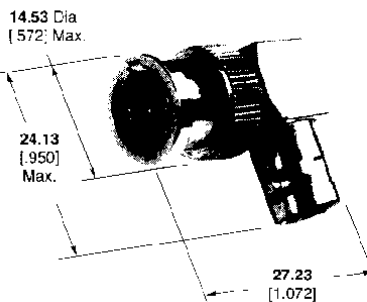


Body Plating	M/A-COM Model No.	Part No.
Nickel	B35P32J999X	1312105-1
Silver	B35P32E999X	1310727-1

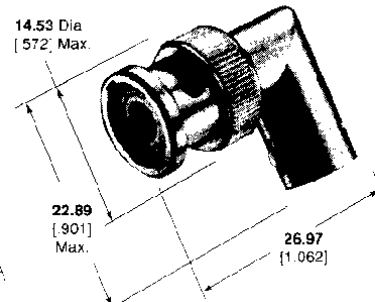
Right Angle Adapters

(Jack-Plug)

Style A



Style B



Body Plating	Center Contact Plating	Dielectric	Style	Part No.
Nickel	Silver	TEFLON	A	329517
Nickel	Gold	TEFLON	A	222165-2
Nickel	Gold	Polymethylpentene	B	414566-1