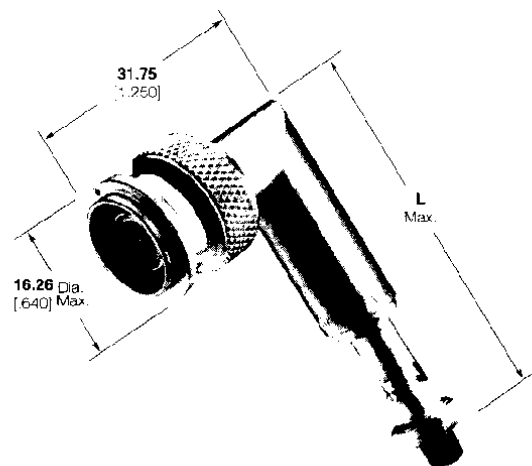
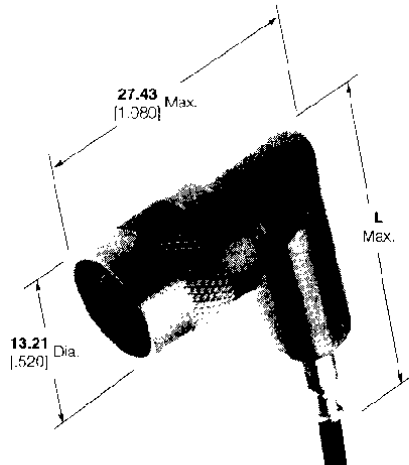


**TNC Connectors, 50 Ohm (Continued)**

**Right Angle Plugs,  
Crimp**

**O Crimp**

**Mil Type  
O Crimp  
Weatherproof**



RG/U Cable	Termination Type	Center Contact Plating	Body Plating	Dielectric	Style	Comments	Dim. L	CERTI-CRIMP Hand Tool with Integral Die	Interchangeable Dies for PRO-CRIMPER Hand Tool 354940-1 or PRO-CRIMPER Adapter 679304-1	Part No.
174, 174A, 188, 188A, 316	O Crimp	Gold	Nickel	Polymethyl-pentene	Commercial	—	<b>38.23</b> 1.505	—	318450-2	<b>414173-3</b>
RD 188, 316 Double Braid	O Crimp	Gold	Nickel	Polymethyl-pentene	Commercial	—	<b>38.23</b> 1.505	—	58539-1	<b>414173-4</b>
58, 58A, 58B, 58C	O Crimp	Gold	Nickel	TEFLON	Mil Type	Weatherproof	<b>47.63</b> 1.875	220045-2	—	<b>225559-2</b>
58, 58A, 58B, 58C, 141, 141A, 303	O Crimp	Gold	Nickel	Polymethyl-pentene	Commercial	—	<b>38.23</b> 1.505	—	220189-1	<b>414173-1</b>
55, 55A, 55B, 223	O Crimp	Gold	Nickel	Polymethyl-pentene	Commercial	—	<b>38.23</b> 1.505	—	220189-1	<b>414173-6</b>
142, 142A, 142B, 400	O Crimp	Gold	Nickel	Polymethyl-pentene	Commercial	—	<b>38.23</b> 1.505	—	220189-1	<b>414173-5</b>
	O Crimp	Gold	Silver	TEFLON	Mil Type	Weatherproof	<b>47.63</b> 1.875	220045-2	—	<b>225554-6</b>
124, 140, 210, 62, 62A, 62B, 59, 59A, 59B, Belden 9291, 9209, 9269	O Crimp	Gold	Nickel	Polymethyl-pentene	Commercial	—	<b>38.23</b> 1.505	—	220189-2	<b>414173-2</b>
8, 8A, 213	O Crimp	Gold	Nickel	TEFLON	Mil Type	Weatherproof	<b>63.5</b> 2.500	220015-1	—	<b>225559-8</b>
393, 225	O Crimp	Gold	Silver	TEFLON	Mil Type	Weatherproof	<b>63.5</b> 2.500	220015-1	—	<b>1-225554-1</b>
9, 9A, 9B, 214	O Crimp	Gold	Silver	TEFLON	Mil Type	—	<b>59.52</b> 2.343	220015-1	—	<b>225349-9</b>