

4

3

2

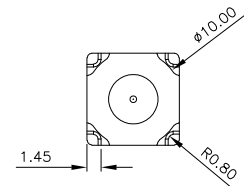
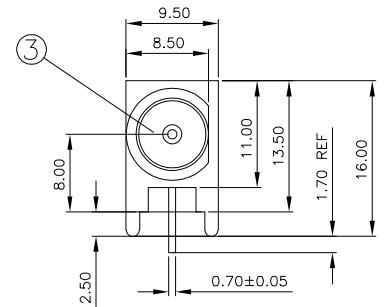
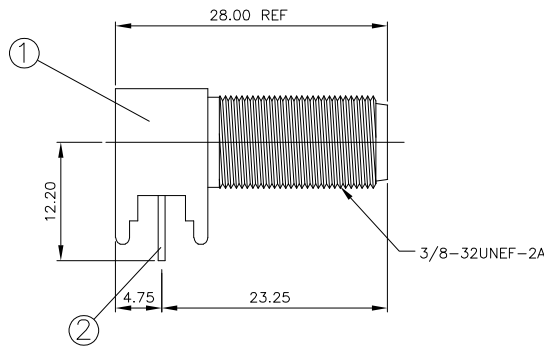
1

THIS DRAWING IS UNPUBLISHED. RELEASED FOR PUBLICATION MAR ,2004.  
 © COPYRIGHT 2004 BY TYCO ELECTRONICS CORPORATION. ALL RIGHTS RESERVED.

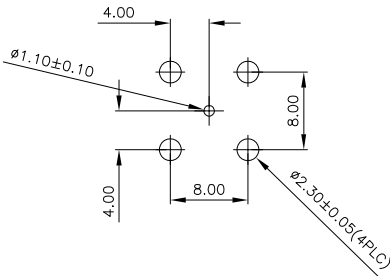
LOC		DIST		REVISIONS			
P	LTR	DESCRIPTION		DATE	DWN	APVD	
A		EBDO-0122-04		04MAR04	JMS	FWK	

NOTES

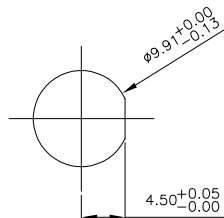
- ① 100 TRAY PACK IN ACCORDANCE WITH AMP SPEC 107-3275
- ② SINGLE PACK IN ACCORDANCE WITH AMP SPEC 107-3275
- ③ 1.27µm TIN PLATING OVER 0.76µm Cu PLATING
- ④ 1.27µm Ni PLATING OVER 0.76µm Cu PLATING



RECOMMENDED PCB LAYOUT WITH MOUNTING POSTS



RECOMMENDED MOUNTING HOLE



QTY	UNIT	MATERIAL	DESCRIPTION	ITEM
1	1	POLYETHYLENE	INSULATOR	3
1	1	PHOS BRONZE	CONTACT	2
1	1	ZINC ALLOY	BODY	1
5-1	5-0			

THIS DRAWING IS A CONTROLLED DOCUMENT.

DWN	J. SANDWELL	04MAR04	 Tyco Electronics Corporation Bideford, UK, EX39 4HE
CHK	S. PARLOW	04MAR04	
APVD	F. WHEELER-KING	04MAR04	
NAME	F SERIES CONNECTOR ELBOW JACK PCB		
PRODUCT SPEC	-		RESTRICTED TO
APPLICATION SPEC	-		
WEIGHT	-		
CUSTOMER DRAWING	SIZE	CAGE CODE	DRAWING NO
	A3	00779	C-1634540
	SCALE	NTS	SHEET 1 OF 1 REV A