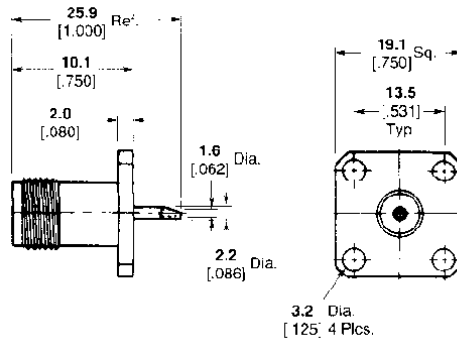


**TNC Connectors, 50 Ohm (Continued)**

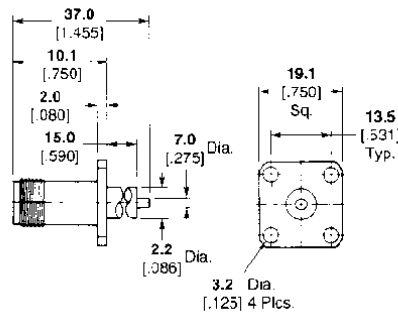
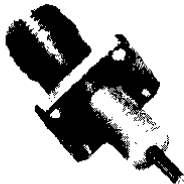
**Panel Mount Jack Receptacles**



Center Contact Plating	M/A-COM Model No.	Part No.
Nickel Plated Brass	3152-0000-10	1057775-1 <sup>1</sup>

<sup>1</sup>Captured Center Contact - Solder Pot Terminal

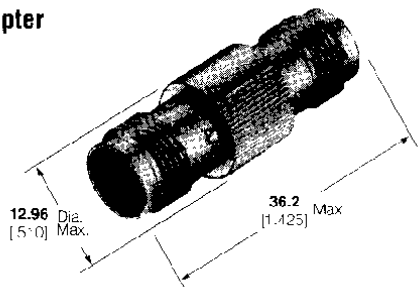
**Flange Mount Receptacles**



Center Contact Plating	M/A-COM Model No.	Part No.
Nickel Plated Brass	3152-1200-10	1057777-1 <sup>1</sup>
Nickel Plated Brass	3152-1201-10	1057780-1 <sup>2</sup>

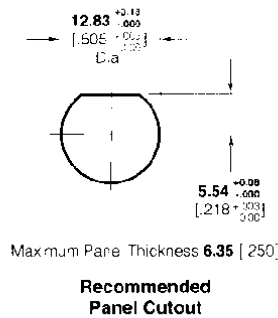
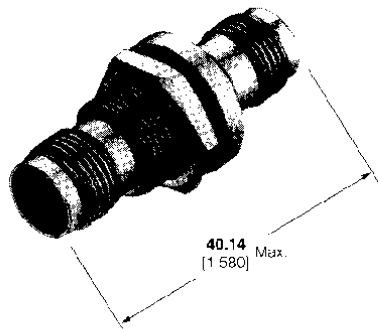
<sup>1</sup>Non Captured Center Contact - Straight Terminal  
<sup>2</sup>Captured Center Contact - Straight Terminal

**Jack-Jack Adapter**



Center Contact Plating	Body Plating	Dielectric	Part No.
Gold	Nickel	Polypropylene	221325-1

**Bulkhead Jack-Jack Adapter**



Center Contact Plating	Body Plating	Dielectric	Part No.
Gold	Nickel	Acetal	221500-1

Part No. 221500-1