

MCX SERIES

50Ω MCX JACKS & PLUGS

Mates with:
RF174, RF316, RF178

SPECIFICATIONS

For complete specifications and recommended PCB layouts see www.samtec.com?MCX

Insulator Material:
PTFE

Contact Material:
BeCu, Brass (-P-TH)

Shell Material:
Brass

Operating Temp Range:
-65°C to +125°C

Insulation Resistance:
1000MΩ min

Contact Resistance:
Center: 5mΩ max
Outer: 2.5mΩ max

Impedance:
50Ω

V.S.W.R.:
1.3 max (-ST)
1.5 max (-RA)

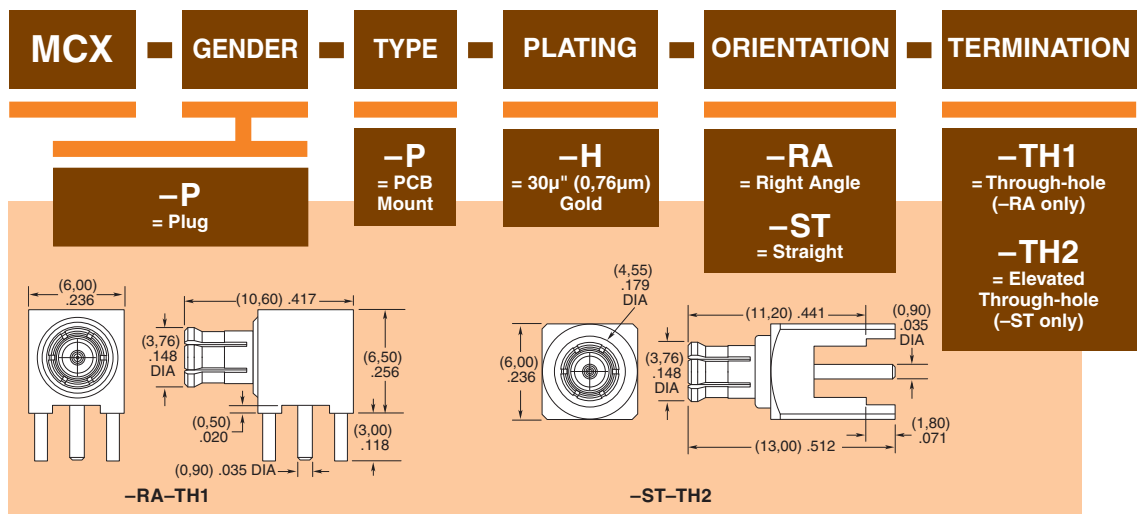
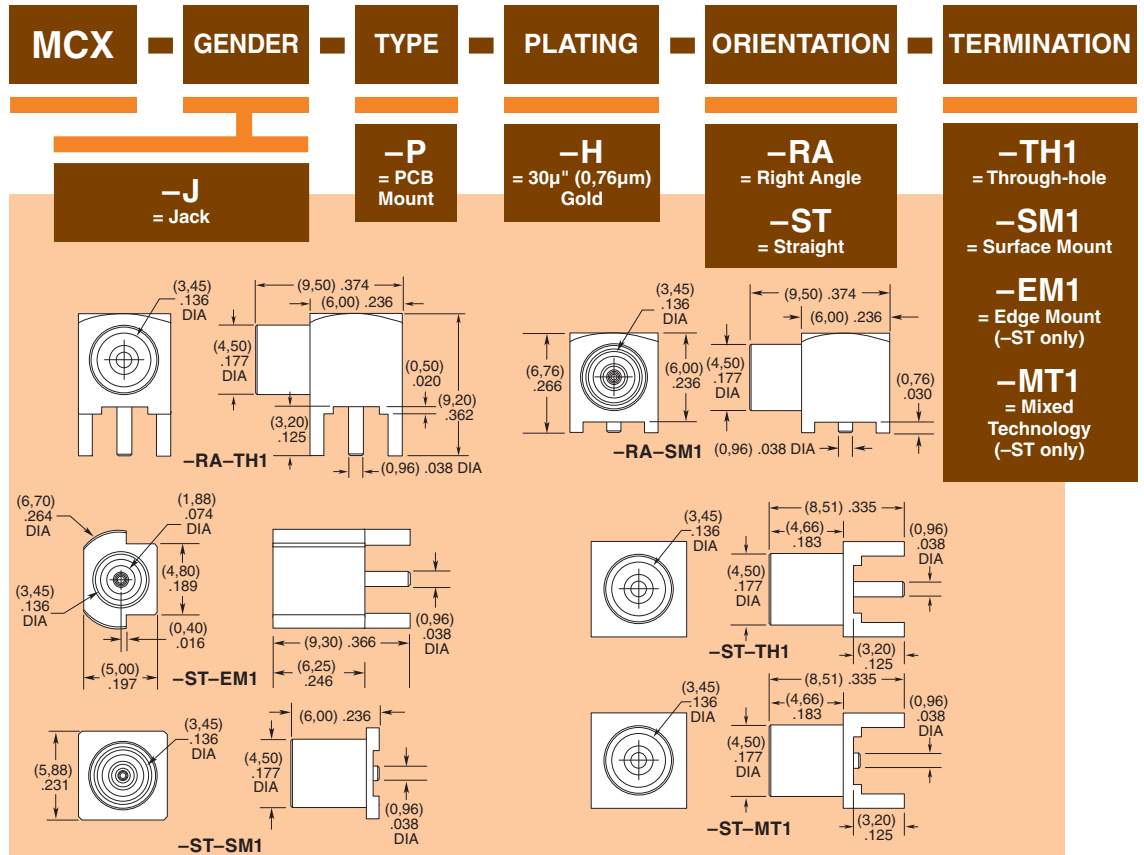
Dielectric Withstanding Voltage:
1000 Vrms min, 50Hz

Dielectric Working Voltage:
335 Vrms max

Frequency Range:
0-6 GHz

RoHS Compliant:
Yes

Processing:
Lead-Free Solderable:
Yes



Due to technical progress, all designs, specifications and components are subject to change without notice.

WWW.SAMTEC.COM

SAMTEC USA • Tel: 1-800-SAMTEC-9 or 812-944-6733 SAMTEC SILICON VALLEY • Tel: 408-395-5900 SAMTEC SOUTHERN CALIFORNIA • Tel: 1-800-726-8329
 SAMTEC AMERICA LATINA COMERCIO EXTERIOR LTDA • Tel: (+55 31) 3786 3227 SAMTEC UNITED KINGDOM • Tel: 44 01236 739292 SAMTEC GERMANY • Tel: +49 (0) 89 / 89460-0
 SAMTEC FRANCE • Tel: 33 01 60 95 06 60 SAMTEC ITALY • Tel: 39 039 8890337 SAMTEC NORDIC/BALTIC • Tel: +46-84477280 SAMTEC BENELUX • Tel: 44 01236 739292 SAMTEC ISRAEL • Tel: 972-3-7526600
 SAMTEC INDIA • Tel: +91-80-3272 1612 SAMTEC ASIA PACIFIC • Tel: 65 6745-5955 SAMTEC JAPAN • Tel: 045-475-1385 SAMTEC CHINA • Tel: 86-21-61103766 SAMTEC TAIWAN • Tel: 886-2-2735-6109
 Downloaded from Elcodis.com electro SAMTEC HONG KONG • Tel: 852 2600 9858 SAMTEC KOREA • Tel: 82-31-717-5685 SAMTEC ANZ • Tel: 613 9512 7747 SAMTEC SOUTH AFRICA • Tel: 27 11 452 8112