

4

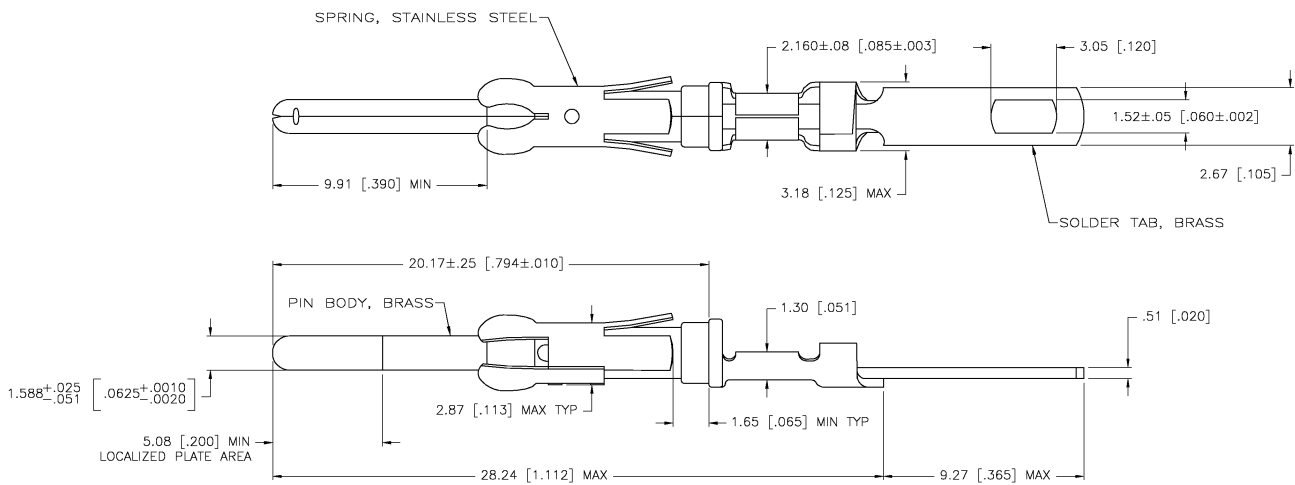
3

2

1

THIS DRAWING IS UNPUBLISHED.
 RELEASED FOR PUBLICATION
 BY TYCO ELECTRONICS CORPORATION. ALL RIGHTS RESERVED.

LOC	DIST	REVISIONS			
P	LTR	DESCRIPTION	DATE	OWN	APPD
FT	0				
T		REVISED PER 0638-0956-04	11/22/04	SS	GS



- ① 1.27 μ m [.000050] MIN TIN-LEAD OVER
 1.27 μ m [.000050] MIN NICKEL.
- ② 0.76 μ m [.000030] MIN GOLD IN LOCALIZED
 PLATE AREA, 0.25 μ m [.000010] MIN
 GOLD ON THE REMAINDER ALL OVER
 1.27 μ m [.000050] MIN NICKEL.
- ③ 2.54 μ m [.000100] MIN TIN-LEAD OVER
 1.27 μ m [.000050] MIN NICKEL.
- ④ 2.54 μ m [.000100] MIN TIN OVER
 1.27 μ m [.000050] MIN NICKEL.
- ⑤ 1.27 μ m [.000050] MIN TIN OVER
 1.27 μ m [.000050] MIN NICKEL.

①	SMALL PACK	②	202236-8
	STANDARD	③	202236-7
②	SMALL PACK	④	202236-6
	STANDARD	⑤	202236-5
	SMALL PACK	⑥	202236-4
	STANDARD	⑦	202236-3
③	STANDARD	⑧	202236-2
	STANDARD	⑨	202236-1
FINISH SOLDER TAB	PACKAGING TYPE	FINISH	PART NO

THIS DRAWING IS A CONTROLLED DOCUMENT.		DRW	2782990	Tyco Electronics Corporation	
DIMENSIONS:		CHK	1500090	Horrisburg, Pa 17105-3608	
mm (INCHES)		APPD	A. McCLINTON	PIN ASSEMBLY, LOOSE PIECE,	
TOLERANCES UNLESS OTHERWISE SPECIFIED:		PRODUCT SPEC	1500090	TYPE III+	
0 P.L.C.	± .01	APPLICATION SPEC		SEE CASE CODE	DRAWING NO
1 P.L.C.	± .005	HEIGHT		A2	00779
2 P.L.C.	± .0025	FINISH		202236	
3 P.L.C.	± .0015			SCALE	8:1
4 P.L.C.	± .001			SHEET	1 OF 1
ANGLES	± .005			REV	T
MATERIAL	SEE CALL OUT	FIN BODY:SEE TABLE	CUSTOMER DRAWING		

AMP 1471-9 REV 31 MAR 2000

202236

B

A