

**Tab Header for PC Board, Vertical Mount Type
6.5mm Centerline (Cont'd)**

For 4 Circuits (2 rows)

Material & Finish:

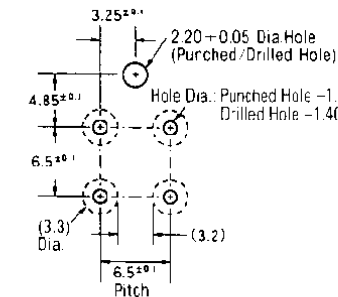
Housing — UL 94V-0 rated,
glass-filled 6/6 nylon
Contact — Copper alloy,
tin-lead plated

Part Number:

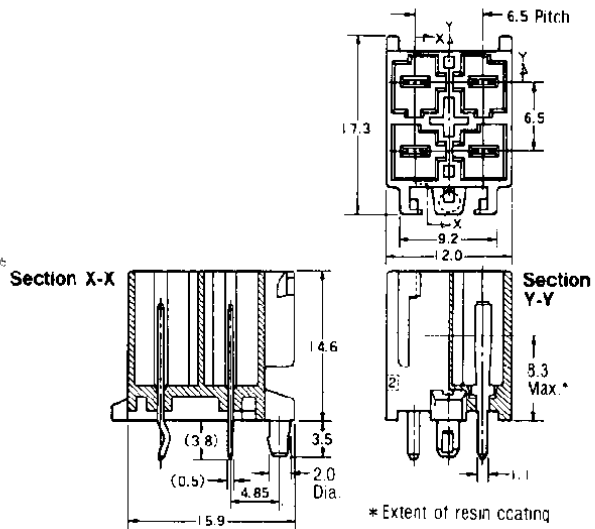
- 179848-1** (Natural)
- 179848-4** (Yellow)
- 179848-6** (Blue)

Part Number of Tube

(40 ea.) : **917747-□**



PC Board Layout
(Applicable Board Thickness: 1.6mm)



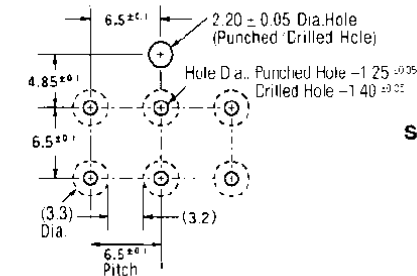
For 6 Circuits (2 rows)

Material & Finish:

Housing — UL 94V-0 rated,
glass-filled 6/6 nylon
Contact — Copper alloy,
tin-lead plated

Part Number:

- 179849-1** (Natural)
- 179849-4** (Yellow)
- 179849-6** (Blue)



PC Board Layout
(Applicable Board Thickness: 1.6mm)

