

**Tab Header for PC Board, Vertical Mount Type  
6.5mm Centerline (Cont'd)**

**For 4 Circuits (2 rows)**

**Material & Finish:**

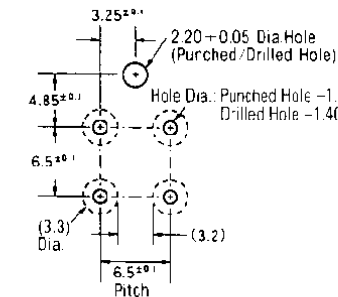
Housing — UL 94V-0 rated,  
glass-filled 6/6 nylon  
Contact — Copper alloy,  
tin-lead plated

**Part Number:**

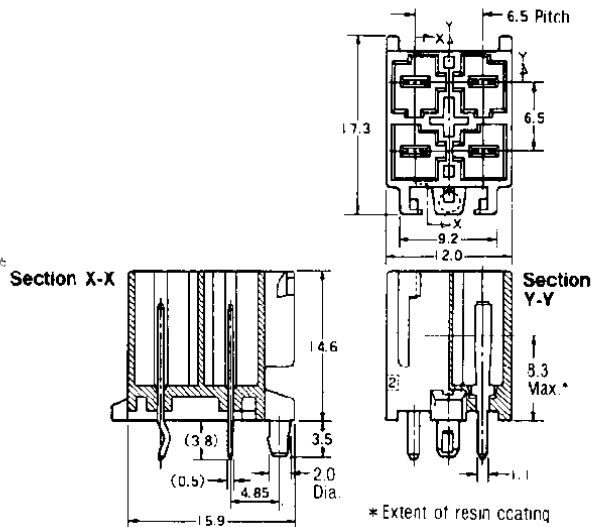
- 179848-1** (Natural)
- 179848-4** (Yellow)
- 179848-6** (Blue)

**Part Number of Tube**

(40 ea.): **917747-□**



**PC Board Layout**  
(Applicable Board Thickness: 1.6mm)



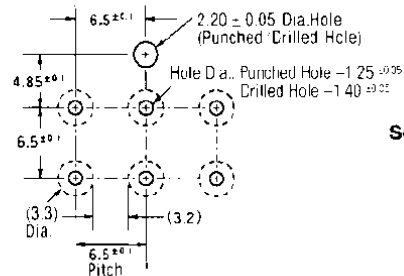
**For 6 Circuits (2 rows)**

**Material & Finish:**

Housing — UL 94V-0 rated,  
glass-filled 6/6 nylon  
Contact — Copper alloy,  
tin-lead plated

**Part Number:**

- 179849-1** (Natural)
- 179849-4** (Yellow)
- 179849-6** (Blue)



**PC Board Layout**  
(Applicable Board Thickness: 1.6mm)

