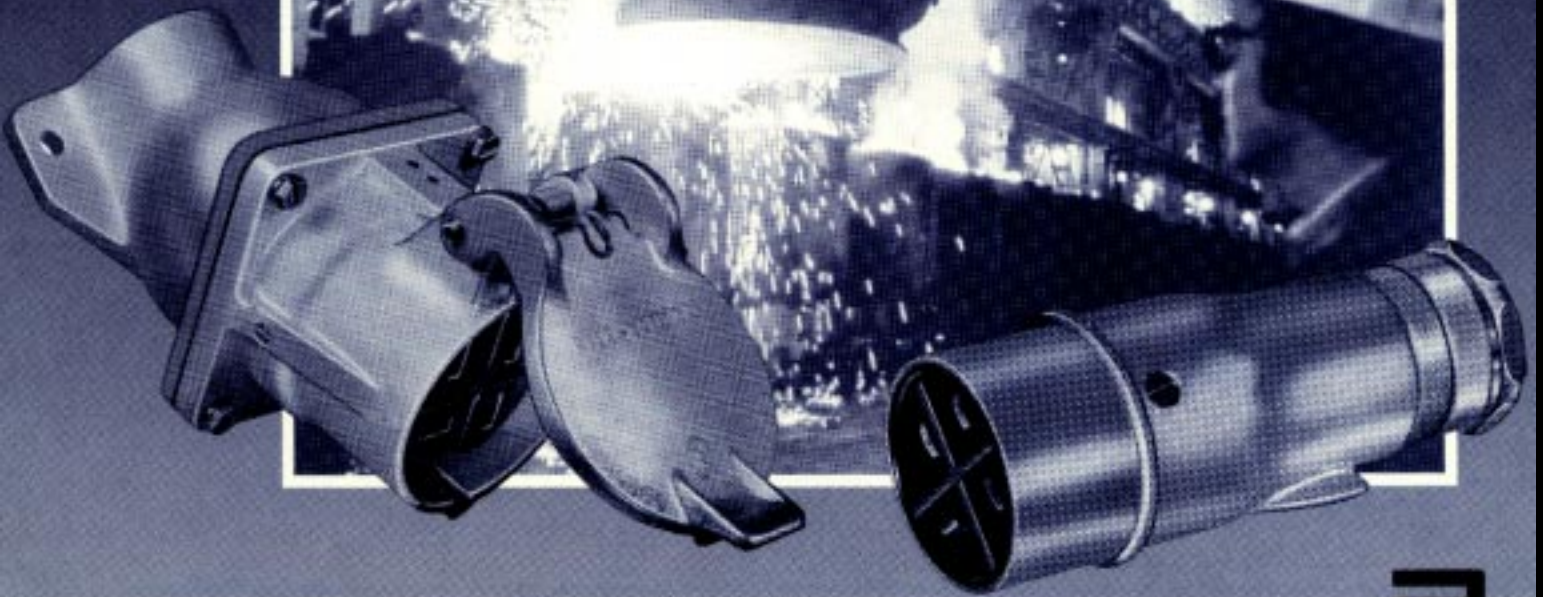


# QUELARC<sup>®</sup>

HEAVY DUTY PLUGS  
AND RECEPTACLES  
by PYLE-NATIONAL



# QUELARC®

UL LISTED    CSA CERTIFIED

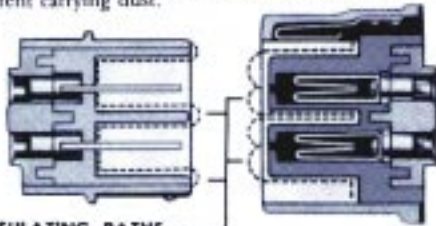
CIRCUIT BREAKING

## PLUGS and RECEPTACLES

FOR PORTABLE AND DETACHABLE ELECTRICAL EQUIPMENT

QUELARC plugs and receptacles are built to withstand the most severe operating conditions. This is proven by years of remarkably dependable service in a wide variety of industrial applications. The many substantial construction features of this extensive line of plugs and receptacles and the high quality of materials and workmanship insure safe operation, uninterrupted service and a long life.

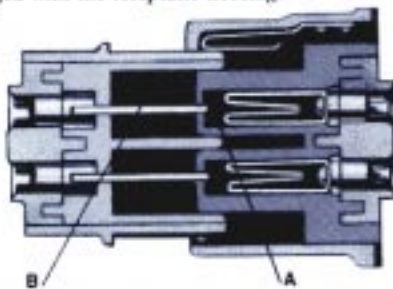
**EXTRAORDINARILY LONG INSULATING PATHS** insure uninterrupted service in the presence of dampness or current carrying dust.



INSULATING PATHS

Partitions between male contacts increase length of insulating surfaces to prevent arcing from pole to pole and from poles to ground.

**COMPOUND CIRCUIT BREAKING ARC CHAMBERS** insure complete snuffing and cooling while the plug is still engaged with the receptacle housing.



Primary circuit breaking chamber "A" confines the arc during the initial break. Subsequent expansion and cooling of the resulting gas follows in secondary chamber "B" thereby insuring complete safety to the operator when withdrawing the plug at full rated current and rated voltage.

**SWITCH BLADE TYPE FLAT CONTACTS** insure positive connections and long life.

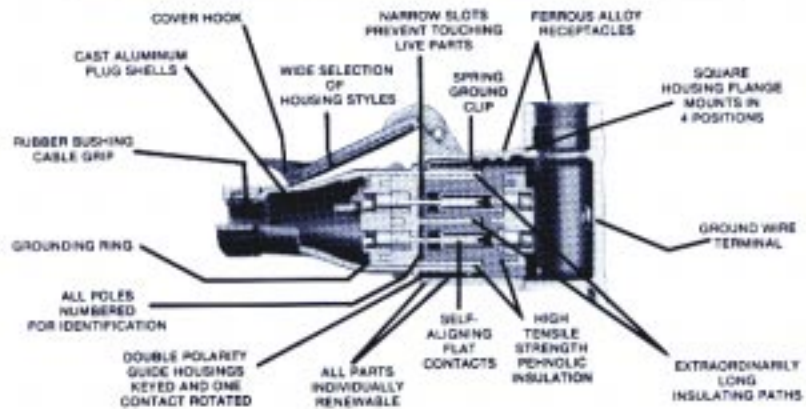


Spring contact with substantially closed gap at inner and outer ends to provide wiping action and opposed side pressure action as blade enters.

Blade engaged with spring contact under pressure against side walls of insulation cavity and against the full contact surfaces of the blade.

•SAFE •DURABLE •DEPENDABLE

20, 30, 60, 100 and 200 Amperes—250 Volts D.C.,  
600 Volts A.C.  
2, 3 and 4 Pole—Grounded Through Shell or Extra Long Pole

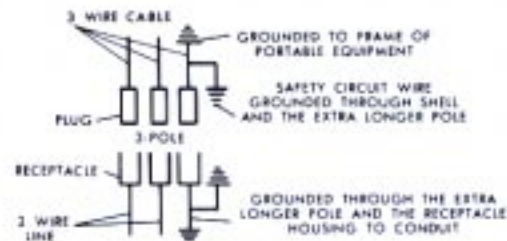


### GROUNDING OF PORTABLE ELECTRICAL EQUIPMENT

The diagrams below show the grounding method for plugs and receptacles which apply to the various pole arrangements.

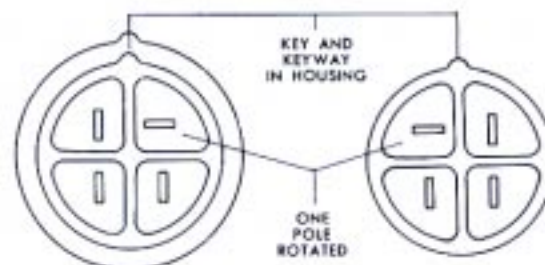
QUELARC Plugs and Receptacles are arranged for grounding so that they may be installed to conform with the National Electrical Code requirements. These plugs and receptacles have an extra pole for the safety circuit wire. This pole is longer than the other poles to insure making contact first and breaking contact last. Grounding is completed through both the extra pole and the bronze spring clip in the receptacle housing.

Typical of All Circuit Arrangements  
Grounded Through Shell and Extra Pole  
2-WIRE—3-POLE



### DOUBLE POLARITY GUIDE ARRANGEMENT

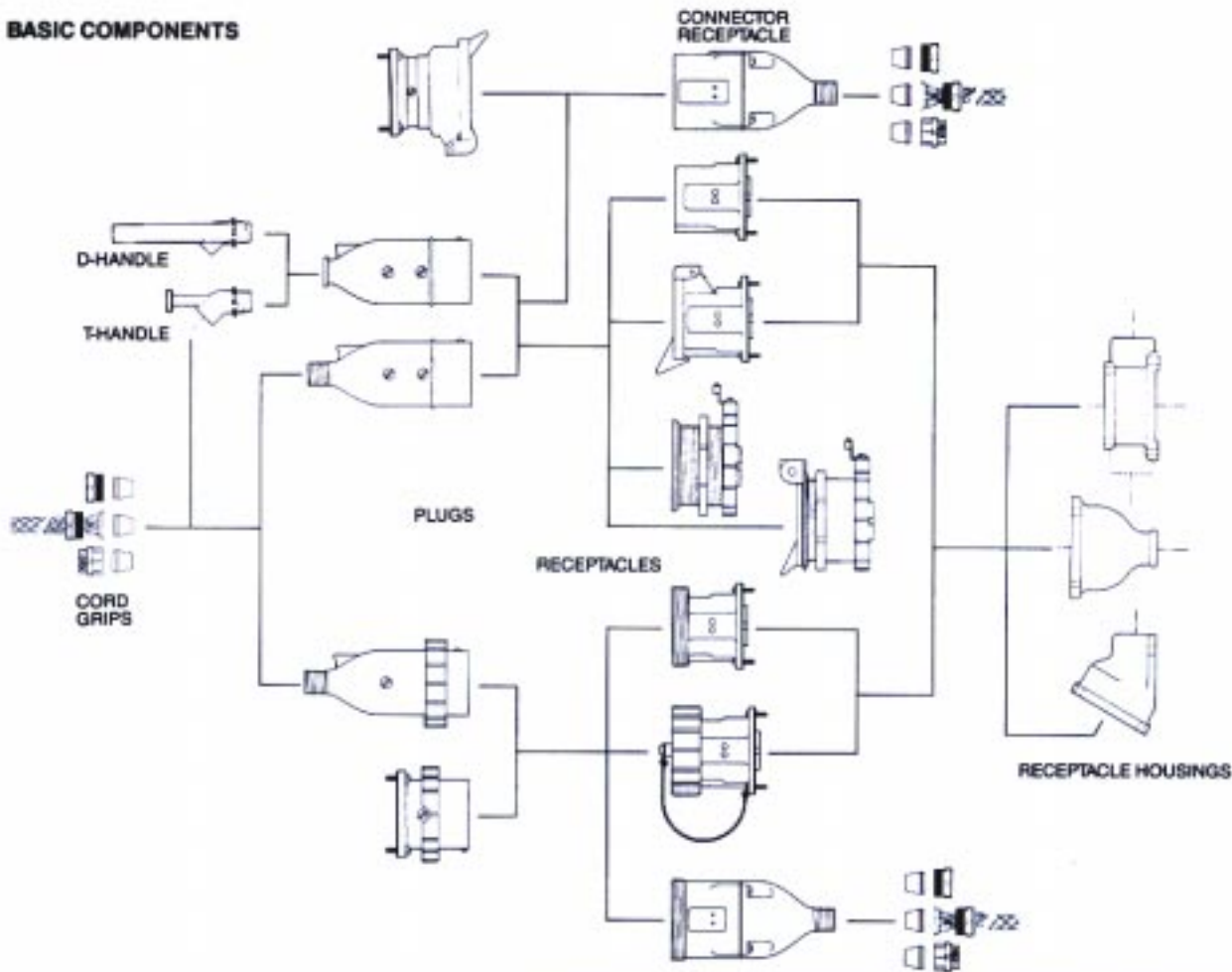
Insures correct circuit connections and convenient positioning of the plug at time of insertion.



NOTE: QUELARC Interlocking Receptacles are also available, ask for Bulletin #IR-300.

# QUELARC®

## BASIC COMPONENTS



## SPECIAL POLARITY FOR DIFFERENT VOLTAGES

Special polarization for locations where plugs and receptacles of the same style and number of poles is available. Consult factory to discuss your needs.



20/30 Amp  
2-Wire



20/30 Amp  
3-Wire



60/100 Amp  
3-Wire



200 Amp  
3-Wire



20/30 Amp  
4-Wire



60/100 Amp  
4-Wire

## HOW TO ORDER SPECIAL POLARITY

Give the catalog number of the plug and receptacle selected from the listing pages in this bulletin and specify the polarity symbol number from the table below. To specify by catalog number substitute the polarity symbol number for the zero appearing in the third to the last position of the standard listed catalog number. EXAMPLE: JRCBB-510046 is changed to JRCBB-510146 or JRCBB-510346.

For Receptacle housings only change the last digit to the symbol number desired. EXAMPLE: JRC-4100 becomes JRC-4101 or JRC-4103.

POLARITY METHOD	KEYWAY POSITION (Viewing Female Inserts as Illustrated)	SYMBOL NUMBER
Standard	As Listed	0
Rotated Polarity	Keyway to Right (Insert Rotated Clockwise)	3
	Keyway to Left (Insert Rotated Counterclockwise)	1

# QUELARC®



INCLUDES GASKET **JRC-**



**JRCBB-**



**JRCA-**



**JPD- ①**

- RUST RESISTANT FERROUS ALLOY RECEPTACLES
- ALUMINUM ALLOY PLUGS
- MOLDED INSULATION

- GROUNDING THROUGH SHELL AND EXTRA POLE
- 30/60/100 AMP
- 250 VDC/600 VAC

Solder terminals are standard for line contacts. Pressure terminals are standard for ground contacts. Add suffix "PR" for pressure terminals on line side.

Catalog numbers shown are for plain plugs and receptacles with spring cover.

CIRCUIT TYPE	AMPS	PANEL MOUNT RECEPTACLE	CONDUIT SIZE (IN)	ANGLED RECEPTACLES	STRAIGHT RECEPTACLE	CABLE DIAMETER RANGE (IN) ②	PLUG WITHOUT CLAMP NUT
2-Pole 3-Wire	30	JRC-330	¾	JRCBB-23036	JRCA-23036	.250-.625 .625-1.000	JPD-53036 JPD-83036
3-Pole 4-Wire		JRC-430	1	JRCBB-33046	JRCA-33046	.375-.625 .625-1.000	JPD-53046 JPD-83046
2-Pole 3-Wire	60	JRC-360	1¼	JRCBB-46036	JRCA-46036	.625-1.000 1.000-1.250	JPD-86036 JPD-106036
3-Pole 4-Wire		JRC-460	1½	JRCBB-56046	JRCA-56046	.625-1.000 1.000-1.375	JPD-86046 JPD-116046
2-Pole 3-Wire	100	JRC-3100	1½	JRCBB-510036	JRCA-510036	1.000-1.375 1.375-1.625	JPD-1110036 JPD-1310036
3-Pole 4-Wire		JRC-4100	2	JRCBB-610046	JRCA-610046	1.000-1.375 1.375-1.750	JPD-1110046 JPD-1410046
3-Pole 4-Wire	100③	JRC-4104	1½	JRCBB-510446	JRCA-51046	1.375-1.750	JPD-1410446

① Other conduit fitting bodies available. Consult factory.

② Other cable diameters and tapped-for-conduit available. Consult factory.

③ Plugs are normally supplied with an oil-resistant rubber grommet, washer and plain compression nut.

OPTIONAL STRAIN RELIEF — Add suffix "M" for Mechanical Clamp Nut. Add suffix "K" for Basket Weave.

④ Non-circuit breaking low profile plugs and receptacles.



## THREADED HOUSING WITH PROTECTION COVER

For receptacles without protection cover, change "E" to "L" — (e.g.; JREBB changes to JRLBB).



**JRE-**



**JREBB-**



**JREA-**



**JPLD- ③**  
WITH THREADED  
COUPLING NUT

CIRCUIT TYPE	AMPS	PANEL MOUNT RECEPTACLE	CONDUIT SIZE (IN)	ANGLED RECEPTACLES	STRAIGHT RECEPTACLE	CABLE DIAMETER RANGE (IN) ②	PLUG WITHOUT CLAMP NUT
2-Pole 3-Wire	30	JRE-330	¾	JREBB-23036	JREA-23036	.250-.625 .625-1.000	JPLD-53036 JPLD-83036
3-Pole 4-Wire		JRE-430	1	JREBB-33046	JREA-33046	.375-.625 .625-1.000	JPLD-53046 JPLD-83046
2-Pole 3-Wire	60	JRE-360	1¼	JREBB-46036	JREA-46036	.625-1.000 1.000-1.250	JPLD-86036 JPLD-106036
3-Pole 4-Wire		JRE-460	1½	JREBB-56046	JREA-56046	.625-1.000 1.000-1.375	JPLD-86046 JPLD-116046
2-Pole 3-Wire	100	JRE-3100	1½	JREBB-510036	JREA-510036	1.000-1.375 1.375-1.625	JPLD-1110036 JPLD-1310036
3-Pole 4-Wire		JRE-4100	2	JREBB-610046	JREA-610046	1.000-1.375 1.375-1.750	JPLD-1110046 JPLD-1410046
3-Pole 4-Wire	100④	JRE-4104	1½	JREBB-510446	JREBB-51046	1.375-1.750	JPLD-1410446

① Other conduit fitting bodies available. Consult factory.

② Other cable diameters and tapped-for-conduit available. Consult factory.

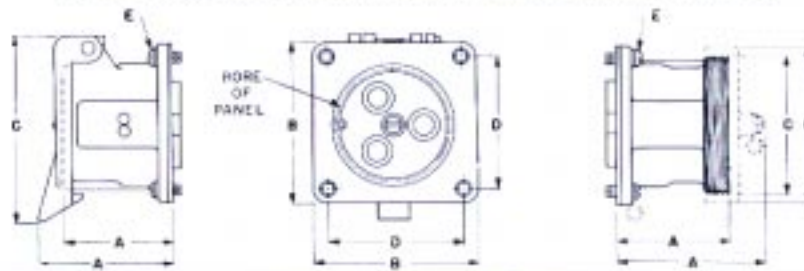
③ Plugs are normally supplied with an oil-resistant rubber grommet, washer and plain compression nut.

OPTIONAL STRAIN RELIEF — Add suffix "M" for Mechanical Clamp Nut. Add suffix "K" for Basket Weave.

④ Non-circuit breaking low profile plugs and receptacles.

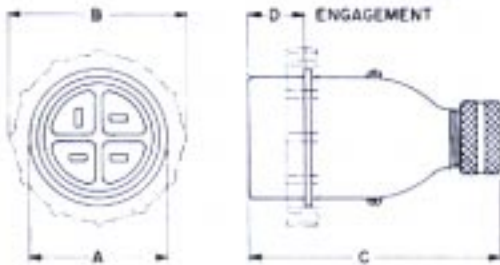
## DIMENSIONS

### Types JRC, JRE and JRL QuelArc Receptacle Housings



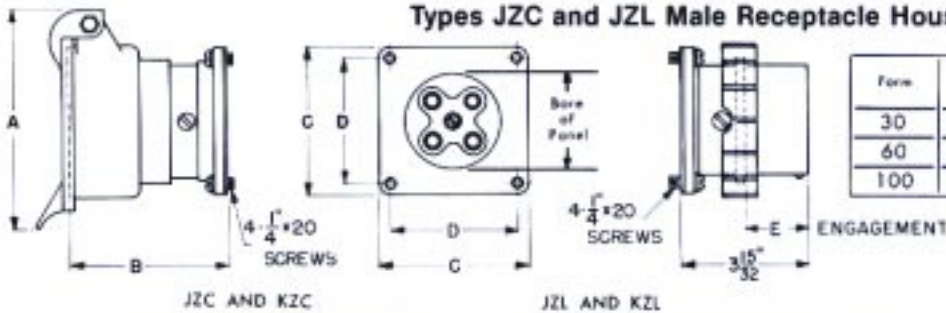
Receptacle		Housing	A	B	C	D	E	Bore of Panel
Form	No. Poles							
30	2	Spring Door	2 <sup>1</sup> / <sub>2</sub>	2 <sup>1</sup> / <sub>2</sub>	3 <sup>3</sup> / <sub>8</sub>	2 <sup>7</sup> / <sub>8</sub>	1/4 - 20	1 <sup>1</sup> / <sub>2</sub>
	3 or 4	Spring Door	2 <sup>1</sup> / <sub>2</sub>	2 <sup>1</sup> / <sub>2</sub>	4 <sup>1</sup> / <sub>8</sub>	2 <sup>7</sup> / <sub>8</sub>	1/4 - 20	2 <sup>3</sup> / <sub>2</sub>
	2	Plain or Threaded	2 <sup>1</sup> / <sub>2</sub>	2 <sup>1</sup> / <sub>2</sub>	2 <sup>1</sup> / <sub>2</sub>	2 <sup>7</sup> / <sub>8</sub>	1/4 - 20	1 <sup>1</sup> / <sub>2</sub>
	3 or 4	Plain or Threaded	2 <sup>1</sup> / <sub>2</sub>	2 <sup>1</sup> / <sub>2</sub>	3	2 <sup>7</sup> / <sub>8</sub>	1/4 - 20	2 <sup>3</sup> / <sub>2</sub>
	2	With Cap	2 <sup>1</sup> / <sub>2</sub>	2 <sup>1</sup> / <sub>2</sub>	2 <sup>3</sup> / <sub>8</sub>	2 <sup>7</sup> / <sub>8</sub>	1/4 - 20	1 <sup>1</sup> / <sub>2</sub>
60	3 or 4	Spring Door	4 <sup>3</sup> / <sub>8</sub>	4 <sup>3</sup> / <sub>8</sub>	5 <sup>5</sup> / <sub>8</sub>	3 <sup>3</sup> / <sub>8</sub>	1/4 - 20	3 <sup>3</sup> / <sub>2</sub>
	3 or 4	Plain or Threaded	3 <sup>7</sup> / <sub>8</sub>	4 <sup>3</sup> / <sub>8</sub>	3 <sup>1</sup> / <sub>2</sub>	3 <sup>3</sup> / <sub>8</sub>	1/4 - 20	3 <sup>3</sup> / <sub>2</sub>
	3 or 4	With Cap	4 <sup>1</sup> / <sub>8</sub>	4 <sup>3</sup> / <sub>8</sub>	4 <sup>3</sup> / <sub>8</sub>	3 <sup>3</sup> / <sub>8</sub>	1/4 - 20	3 <sup>3</sup> / <sub>2</sub>
100	3 or 4	Spring Door	5 <sup>3</sup> / <sub>8</sub>	4 <sup>1</sup> / <sub>2</sub>	5 <sup>1</sup> / <sub>2</sub>	3 <sup>3</sup> / <sub>8</sub>	1/4 - 20	3 <sup>1</sup> / <sub>2</sub>
	3 or 4	Plain or Threaded	4 <sup>1</sup> / <sub>2</sub>	4 <sup>1</sup> / <sub>2</sub>	4 <sup>1</sup> / <sub>4</sub>	3 <sup>3</sup> / <sub>8</sub>	1/4 - 20	3 <sup>1</sup> / <sub>2</sub>
	3 or 4	With Cap	5 <sup>3</sup> / <sub>8</sub>	4 <sup>1</sup> / <sub>2</sub>	4 <sup>3</sup> / <sub>8</sub>	3 <sup>3</sup> / <sub>8</sub>	1/4 - 20	3 <sup>1</sup> / <sub>2</sub>

### Types JPD and JPLD QuelArc Plugs



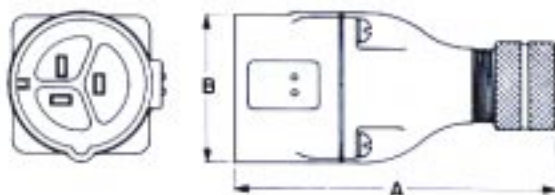
Form	No. of Poles	A	B	C	D
20 or 30	2	1 <sup>1</sup> / <sub>2</sub>		4 <sup>1</sup> / <sub>2</sub> to 5	1 <sup>1</sup> / <sub>8</sub>
	3 or 4	2 <sup>1</sup> / <sub>8</sub>	3 <sup>1</sup> / <sub>2</sub>	4 <sup>3</sup> / <sub>8</sub> to 5 <sup>3</sup> / <sub>8</sub>	1 <sup>1</sup> / <sub>8</sub>
60	3 or 4	3 <sup>3</sup> / <sub>8</sub>	4 <sup>1</sup> / <sub>2</sub>	8 to 8 <sup>3</sup> / <sub>8</sub>	1 <sup>3</sup> / <sub>8</sub>
100	3 or 4	3 <sup>3</sup> / <sub>8</sub>	4 <sup>3</sup> / <sub>8</sub>	10 to 10 <sup>3</sup> / <sub>8</sub>	2 <sup>1</sup> / <sub>8</sub>

### Types JZC and JZL Male Receptacle Housings



Form	A	B	C	D	E	Bore of Panel
30	3 <sup>3</sup> / <sub>8</sub>	2 <sup>3</sup> / <sub>8</sub>	2 <sup>3</sup> / <sub>8</sub>	2 <sup>7</sup> / <sub>8</sub>	1 <sup>1</sup> / <sub>8</sub>	1 <sup>1</sup> / <sub>2</sub>
60	6 <sup>1</sup> / <sub>4</sub>	3 <sup>1</sup> / <sub>2</sub>	4 <sup>3</sup> / <sub>8</sub>	3 <sup>3</sup> / <sub>8</sub>	1 <sup>3</sup> / <sub>8</sub>	2 <sup>3</sup> / <sub>8</sub>
		4 <sup>1</sup> / <sub>2</sub>	4 <sup>1</sup> / <sub>2</sub>	3 <sup>3</sup> / <sub>8</sub>	2 <sup>3</sup> / <sub>8</sub>	2 <sup>3</sup> / <sub>4</sub>

### Types JWPD and JWPLD QuelArc Connector Receptacles



Form	Housing	Poles	A	Dia. B
30	Plain	3 or 4	6	2 <sup>1</sup> / <sub>8</sub>
		2	5 <sup>5</sup> / <sub>8</sub>	2 <sup>1</sup> / <sub>2</sub>
60	Threated	3 or 4	5 <sup>3</sup> / <sub>8</sub>	3
		3 or 4	9 <sup>1</sup> / <sub>8</sub>	3 <sup>3</sup> / <sub>8</sub>
100	Plain	3 or 4	9 <sup>3</sup> / <sub>8</sub>	3 <sup>1</sup> / <sub>8</sub>
		3 or 4	11 <sup>1</sup> / <sub>8</sub>	4
100	Threated	3 or 4	10	4 <sup>1</sup> / <sub>4</sub>

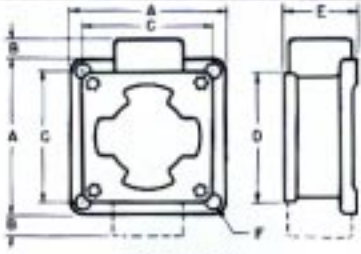
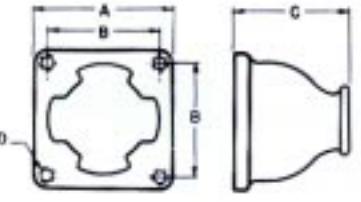
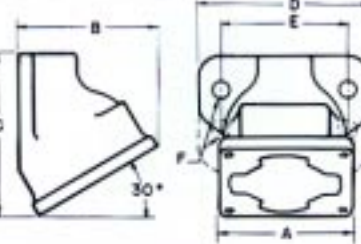
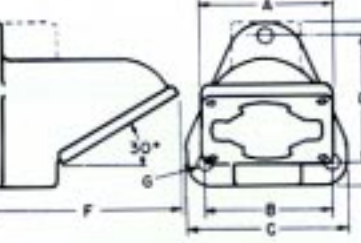
## JR Series Conduit Boxes

Rustproofed Ferrrous Alloy

Form 30 Illustrated	Type	Cat. No.	Size	Description	Form	Size	Cat. No.	Type	Form 30 Illustrated	
	JRA	JRW-13046-A JRW-23046-A JRW-33046-A	1/2 3/4 1	Take 20 and 30 Ampere Receptacles	Form 30	1/2 3/4 1	JRW-113046-C JRW-223046-C JRW-333046-C	JRC		
		JR-26046-A JR-36046-A JR-46046-A JR-56046-A	3/4 1 1 1/4 1 1/2	Take 60 Ampere Receptacles	Form 60	1 1 1/4 1 1/2	JR-336046-C JR-446046-C JR-556046-C			
		JR-410036-A JR-510036-A JR-610036-A	1 1/4 1 1/2 2	Take 100 Ampere Receptacles	Form 100	1 1/4 1 1/2 2	JR-4410036-C JR-5510036-C JR-6610036-C			
	JRBB	JR-13046-BB JR-23046-BB JR-33046-BB JR-43046-BB	1/2 3/4 1 1 1/4	Take 20 and 30 Ampere Receptacles	Form 30	1/2 3/4 1 1 1/4	JR-13046-B JR-23046-B JR-33046-B JR-43046-B	JRB		
		JR-26046-BB JR-36046-BB JR-46046-BB JR-56046-BB	3/4 1 1 1/4 1 1/2	Take 60 Ampere Receptacles	Form 60	1 1 1/4 1 1/2	JR-36046-B JR-46046-B JR-56046-B			
		JR-410036-BB JR-510036-BB JR-610036-BB	1 1/4 1 1/2 2	Take 100 Ampere Receptacles	Form 100	1 1 1/4 1 1/2 2	JR-310036-B JR-410036-B JR-510036-B JR-610036-B			
		JR-720036-BB	2 1/2	Take 200 Ampere Receptacles	Form 200	...	.....			
	JRBE	JRW-13046-BE JRW-23046-BE JRW-33046-BE	1/2 3/4 1	Take 20 and 30 Ampere Receptacles	Form 30	...	.....	JRCE		
		JR-36046-BE JR-46046-BE JR-56046-BE	1 1 1/4 1 1/2	Take 60 Ampere Receptacles	Form 60	1 1/4 1 1/2	JR-46046-CE JR-56046-CE			
JR-510036-BE JR-610036-BE		1 1/2 2	Take 100 Ampere Receptacles	Form 100	...	.....				

## DIMENSIONS — JR SERIES CONDUIT BOXES

### Rustproofed Ferrous Alloy

Form		Size	A	B	C	D	E	F (Dia.)	
 <p>JRA and JRC</p>	30	1/2	3 1/2	1 3/32	2 3/8	2 13/16	1 7/32	5/32	
		3/4	3 3/2	1 3/32	2 3/8	2 13/16	1 7/32	5/32	
	1	3 3/2	1 3/32	2 3/8	2 13/16	1 7/32	5/32		
	60	3/4	5 1/4	7/16	4 3/16	4 3/16	2 3/8	5/32	
		1	5 1/4	7/16	4 3/16	4 3/16	2 3/8	5/32	
		1 1/4	5 1/4	7/16	4 3/16	4 3/16	2 3/8	5/32	
100	1 1/4	5 3/4	3/4	4 3/8	4 3/8	2 3/8	5/32		
	1 1/2	5 3/4	3/4	4 3/8	4 3/8	2 3/8	5/32		
2	5 3/4	3/4	4 3/8	4 3/8	3 1/4	3 1/4	5/32		
Form		Size	A	B	C	D (Thrd. Dia.)			
 <p>JRB</p>	30	1/2	2 13/16	2 3/8	2 1/2	1/4—20			
		3/4	2 13/16	2 3/8	2 1/2	1/4—20			
		1	2 13/16	2 3/8	2 1/2	1/4—20			
60	1	4 3/16	3 3/16	4 13/16	1/4—20				
	1 1/4	4 3/16	3 3/16	4 13/16	1/4—20				
	1 1/2	4 3/16	3 3/16	4 13/16	1/4—20				
100	1	4 1/2	3 3/8	6 1/4	1/4—20				
	1 1/4	4 1/2	3 3/8	6 1/4	1/4—20				
	1 1/2	4 1/2	3 3/8	6 1/4	1/4—20				
2	4 1/2	3 3/8	6 1/4	1/4—20					
Form		Size	A	B	C	D	E	F (Dia.)	
 <p>JRBB</p>	30	1/2	2 13/16	2 13/16	3 3/8	3 3/8	2 3/8	(2) 13/32	
		3/4	2 13/16	2 13/16	3 3/8	3 3/8	2 3/8	(2) 13/32	
		1	2 13/16	2 13/16	3 3/8	3 3/8	2 3/8	(2) 13/32	
	60	3/4	4 3/16	4 3/32	4 3/8	4 3/8	3 3/8	(2) 13/32	
		1	4 3/16	4 3/32	4 3/8	4 3/8	3 3/8	(2) 13/32	
		1 1/4	4 3/16	4 3/32	4 3/8	4 3/8	3 3/8	(2) 13/32	
100	1 1/4	4 1/2	4 3/8	5 13/16	5	4	(4) 13/32		
	1 1/2	4 1/2	4 3/8	5 13/16	5	4	(4) 13/32		
2	4 1/2	4 3/8	5 13/16	5	4	(4) 13/32			
Form		Size	A	B	C	D	E	F	G (Dia.)
 <p>JRBE and JRCE</p>	30	1/2	2 13/16	2 3/8	3 1/2	2 23/32	3 13/32	4 3/32	(3) 5/32
		3/4	2 13/16	2 3/8	3 1/2	2 23/32	3 13/32	4 3/32	(3) 5/32
		1	2 13/16	2 3/8	3 1/2	2 23/32	3 13/32	4 13/32	(3) 5/32
	60	1	4 3/16	3 3/8	4 1/2	5	6 3/16	5 3/16	(3) 13/32
		1 1/4	4 3/16	3 3/8	4 1/2	5	6 3/16	6	(3) 13/32
		1 1/4	4 3/16	3 3/8	4 1/2	5	6 3/16	6	(2) 13/32
1 1/2		4 3/16	3 3/8	4 1/2	5	6 3/16	6 1/4	(3) 13/32	
100	1 1/2	4 1/2	3 3/8	4 3/8	5	6 3/8	6 23/32	(3) 13/32	
	2	4 1/2	3 3/8	4 3/8	5	6 3/8	6 23/32	(3) 13/32	

## — REVERSE SERVICE — MALE RECEPTACLES AND FEMALE PLUGS 30, 60 and 100 Amp-250 Volts D.C., 600 Volts A.C.

Receptacles with male interiors and plugs with female interiors are for portable equipment where it is desirable to disconnect the portable cord at the machine. The machine is fitted with a male receptacle, which engages a female plug. The contacts of the female plug when disengaged, are fully enclosed in molded Phenolic which prevents the possibility of accidental touching of live parts.

An important advantage of installing male service receiving receptacles on portable equipment is in the use of two or more cable lengths when extra long extensions are required. The extension cord is made up of a female plug on one end, and a male plug on the other end. The female plugs listed on this page serve as extension connector receptacles, when two cables are connected together.

Receptacles fit JR Series conduit boxes (see page 6). Receptacles can also be surface mounted on sheet metal cabinets and panels. Housing have square flanges, and are mountable in any of four positions.

The products listed below have male contact interiors in the receptacles, and female contact interiors in the plugs. This arrangement is simply the reverse of the plugs and receptacles listed on the previous pages.



CIRCUIT TYPE	AMPS	MALE RECEPT'S	CABLE DIAM. RANGE	STD. FEMALE PLUGS	MALE RECEPT'S	CABLE DIAM. RANGE	THREADED FEMALE PLUGS
2-Pole 3-Wire	30	JZC-3036	.250-.625 .625-1.00	JWPD-83036 JWPD-83036	—	—	—
3-Pole 4-Wire		JZC-3046	.375-.625 .625-1.00	JWPD-83046 JWPD-83046	—	—	—
2-Pole 3-Wire	60	JZC-6036	.625-1.000 1.000-1.250	JWPD-83036 JWPD-106036	JZL-6036	.625-1.00 1.000-1.250	JWPLD-83036 JWPLD-106036
3-Pole 4-Wire		JZC-6046	.625-1.000 1.000-1.375	JWPD-83046 JWPD-114046	JZL-6046	.625-1.00 1.000-1.375	JWPLD-83046 JWPLD-116046
2-Pole 3-Wire	100	JZC-10036	1.000-1.375 1.375-1.625	JWPD-1110036 JWPD-1310036	—	—	—
3-Pole 4-Wire		JZC-10046	1.000-1.375 1.375-1.750	JWPD-1110046 JWPD-1410046	—	—	—
3-Pole 4-Wire		JZC-10046	1.000-1.375 1.375-1.750	JWPD-1110446 JWPD-1410446	—	—	—
3-Pole 4-Wire		JZC-10046	1.000-1.375 1.375-1.750	JWPD-1110446 JWPD-1410446	—	—	—

### IN-LINE CONNECTOR PLUG & RECEPTACLE SETS




- ① Other cable ranges available. Consult factory.
- ② Optional strain relief available. Add appropriate suffix from note at left.
- ③ Non-circuit breaking low profile sets.

CIRCUIT TYPE	AMPS	CABLE DIAM. RANGE①	COMPLETE SET W/CLAMP NUT②
2-Pole 3-Wire	30	.250-.625 .625-1.000	JRKD-83036 JRKD-83036
3-Pole 4-Wire		.375-.625 .625-1.000	JRKD-83046 JRKD-83046
2-Pole 3-Wire	60	.625-1.000 1.000-1.250	JRKD-85036 JRKD-106036
3-Pole 4-Wire		.625-1.000 1.000-1.375	JRKD-83046 JRKD-116046
2-Pole 3-Wire	100	1.000-1.375 1.375-1.625	JRKD-1110036 JRKD-1310036
3-Pole 4-Wire		1.000-1.375 1.375-1.750	JRKD-1110046 JRKD-1410046
3-Pole 4-Wire③		1.000-1.375 1.375-1.750	JRKD-1110446 JRKD-1410446
3-Pole 4-Wire		1.000-1.375 1.375-1.750	JRKD-1110446 JRKD-1410446

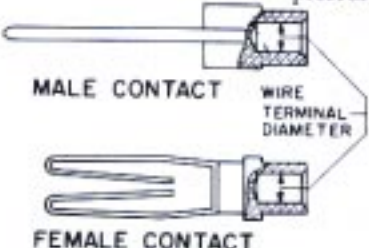


## Male and Female Contact Units For Plugs and Receptacles 250 Volts, D.C.; 600 Volts, A.C.‡

	Type	Capacity	For Circuits	Cat. No.
	JR Female	20 Ampere	.....	.....
		30 Ampere	3-Wire, 2-Pole 4-Wire, 3-Pole .....	JR-345 JR-445 .....
		60 Ampere	3-Wire, 2-Pole 4-Wire, 3-Pole .....	JR-32-L JR-42-L .....
		100 Ampere	3-Wire, 2-Pole 4-Wire, 3-Pole .....	JR-33 JR-43 .....
		200 Ampere ‡	3-Wire, 2-Pole .....	JR-34‡ .....
	JP Male	20 Ampere	.....	.....
		30 Ampere	3-Wire, 2-Pole 4-Wire, 3-Pole .....	JP-330 JP-430 .....
		60 Ampere	3-Wire, 2-Pole 4-Wire, 3-Pole .....	JP-360 JP-460 .....
		100 Ampere	3-Wire, 2-Pole 4-Wire, 3-Pole .....	JP-3100 JP-4100 .....
		200 Ampere ‡	3-Wire, 2-Pole .....	JP-34‡ .....

### WIRE TERMINAL SIZES FOR QUELARC PLUG AND RECEPTACLE CONTACTS

The following table is given for determining the maximum size of bare copper to be used for plugs and receptacles in the various ampere ratings. Grounding terminals furnished are of the pressure type.

	AMPERE RATING	WIRE TERMINAL DIAMETER
	20	Binding Screw Terminal
	30	.1875
	60	.302
	100	.406
	200	.625

‡ 200 ampere contact units are rated 250 volts, D.C.; 240 volts, A.C. and are interchangeable and reversible. Not Available with pressure line contacts.

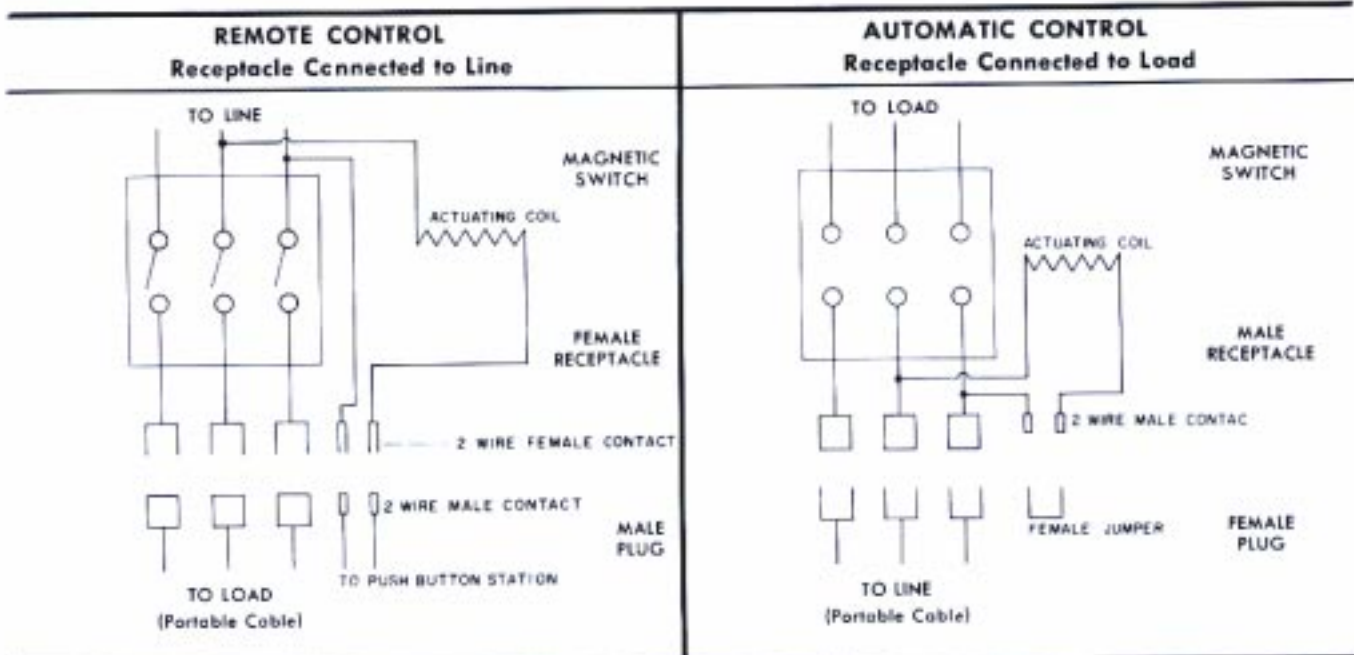
Note: Solder type terminals standard for line contacts. Pressure type terminals standard for ground contacts, add suffix PR for pressure type terminals on line contacts. Price on request.

With some types of portable or detachable electrical equipment it may be desirable to automatically control the circuit through the insertion and withdrawal of the plug at the receptacle. Such applications may include transferring from one power source to a different power source; for example, when the plug and receptacle is used for bringing in standby service. In other applications it may be desirable to remotely control the circuit at the portable equipment by means of a push button station.

In these cases the actuating coil of the magnetic switch is connected to insulated twin auxiliary contact substituted for one

pole of the receptacle as illustrated below. A matching contact either of the jumper type for automatic control or of the insulated 2-pole type for remote control is substituted for one pole of the plug. Two additional conductors must be provided in the portable cable for the remote control arrangement.

When using automatic or remote control contacts, select plugs and receptacles having one more pole than would ordinarily be used if the special control was not desired.



	FOR TYPE JR RECEPTACLES ALSO TYPE JW PLUGS		FOR TYPE JZ RECEPTACLES ALSO TYPE JF PLUGS	
	FEMALE 2-Wire Contact	FEMALE Jumper Contact	MALE 2-Wire Contact	MALE Jumper Contact
Substitute for One Pole of Plug and Receptacle				
Rating	Cat. No.	Cat. No.	Cat. No.	Cat. No.
60-Ampere	<b>JR-22-RD</b>	<b>JR-22-R</b>	<b>JP-22-R</b>	Use Male 2-Wire and apply Jumper Wire between Poles
100-Ampere	.....	<b>JR-23-R</b>	<b>JP-23-R</b>	



QUELARC Plugs and Connectors are furnished with a set of rubber grommets, each covering one increment of the Plug or Connectors range of cable sizes as listed. The Grommet best suited to the diameter of the cable used is the one to be applied. The remaining Grommets are then discarded. Note: Excess grommets are not returnable for credit.

PLUG SIZE			RUBBER GROMMETS IN EACH PLUG SET	
Plug Rating	Compression Range For Set of Grommets	Compression Nut Cat. No.	Compression Range of Each Grommet	Cat. No.
20 and 30 Amperes	.250 to .625	DB-9-B	.250 to .375 .375 to .500 .500 to .625	DB-9-E DB-9-D DB-9-C
	.625 to .875	DB-14-B	.625 to .750 .750 to .875	DB-14-J DB-14-H
30 and 60 Amperes	.625 to 1.000	DB-14-B	.625 to .750 .750 to .875 .875 to 1.000	DB-14-J DB-14-H DB-14-C
60 Amperes	1.000 to 1.250	DB-13-B	1.000 to 1.125 1.125 to 1.250	DB-13-C DB-13-D
60 and 100 Amperes	1.000 to 1.375	DBZ-7-B	1.000 to 1.125 1.125 to 1.250 1.250 to 1.375	DBZ-718 DBZ-720 DBZ-722
100 Amperes	1.375 to 1.625	DBZ-8-B	1.375 to 1.500 1.500 to 1.625	DBZ-824 DBZ-826
	1.375 to 1.750	DBZ-8-B	1.375 to 1.500 1.500 to 1.625 1.625 to 1.750	DBZ-824 DBZ-826 DBZ-828

## Other quality products by PYLE-NATIONAL

### HAZARDOUS LOCATION EXPLOSION PROOF CONNECTORS

Heavy duty control and 20, 30, 60, 100 and 200 ampere power connectors for hazardous locations featuring STRATE-LINE, QUELOCK and STAR-LINE connector series. Conforming to Class I Division I Groups A, B, C and D and Class II Division I Groups F and G.



### INTERLOCKED RECEPTACLE SWITCHES/ CIRCUIT BREAKERS

Family of mechanical interlocking plugs and receptacles-single throw switches: fusible (NEMA 3R & 12), fusible/non-fusible (NEMA 3 & 5); circuit breaker enclosures: dust-tight and rain-tight; tumbler switches: explosion-proof, weather-tight (NEMA 2) and hazardous location.





# QueiArc® NON-CIRCUIT BREAKING LOW PROFILE PLUGS AND RECEPTACLES

100 AMP 3-POLE / 4 WIRE GROUNDING THRU SHELL AND EXTRA POLE





UL LISTED

SP CERTIFIED

## STANDARD RECEPTACLES AND PLUGS




CONDUIT HUB SIZE	RECEPTACLE WITH ANGLE HOUSING	RECEPTACLE WITH STRAIGHT HOUSING	PANEL MOUNT RECEPTACLE WITH GASKET	PLUG	
				CABLE DIA. RANGE	PART NUMBER
1 1/2"	 W / SPRING DOOR	 W / SPRING DOOR	 W / SPRING DOOR		
	JRCBB—510446	JRCA—510446	JRC—4104	1.000—1.375	JPD—1110446
				1.375—1.750	JPD—1410446
1 1/2"	 THREADED	 THREADED	 THREADED		
	JRLBB—510446	JRLA—510446	JRL—4104	1.000—1.375	JPLD—1110446
				1.375—1.750	JPLD—1410446
1 1/2"	 THREADED CAP	 THREADED CAP	 THREADED CAP		
	JREBB—510446	JREA—510446	JRE—4104	1.000—1.375	JPLD—1110446
				1.375—1.750	JPLD—1410446

## MALE RECEPTACLES AND FEMALE PLUGS (Reverse Service)

RECEPTACLE (complete with gasket)		STANDARD PLUG		THREADED PLUG	
with SPRING DOOR	THREADED NUT	CABLE DIA. RANGE	PART NUMBER	CABLE DIA. RANGE	PART NUMBER
					
JZC—10446	JZL—10446	1.000—1.375	JWPD—1110446	1.000—1.375	JWPLD—1110446
		1.375—1.750	JWPD—1410446	1.375—1.750	JWPLD—1410446

## EXTENSION CABLE CONNECTORS

(With Threaded Coupling Nut)

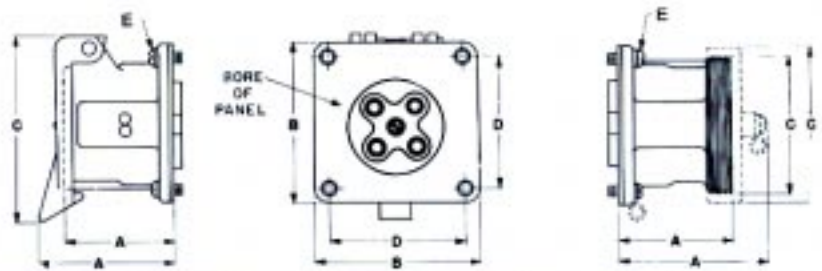
				
CABLE DIA. RANGE	1.000—1.375	JRKD—1110446	JWPLD—110446	JPLD—1110446
	1.375—1.750	JRKD—1410446	JWPLD—1410446	JPLD—1410446

SEE REVERSE SIDE FOR DIMENSIONS AND NOTES.

## DIMENSIONS

### STANDARD RECEPTACLES

Prefixes JRC, JRE and JRL  
(without housing)



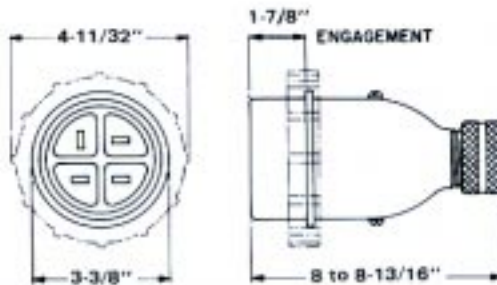
	A	B	C	D	E	PANEL BORE SIZE
Spring Door	4-9/16"	4-3/16"	5-5/16"	3-9/16"	1/4-20	3-5/32"
Plain or Threaded	3-7/16"	4-3/16"	3-15/16"	3-9/16"	1/4-20	3-5/32"
With Threaded Cap	4-1/16"	4-3/16"	4-3/8"	3-9/16"	1/4-20	3-5/32"

### STANDARD PLUG

Prefixes JPD and JPLD

### REVERSE SERVICE PLUG

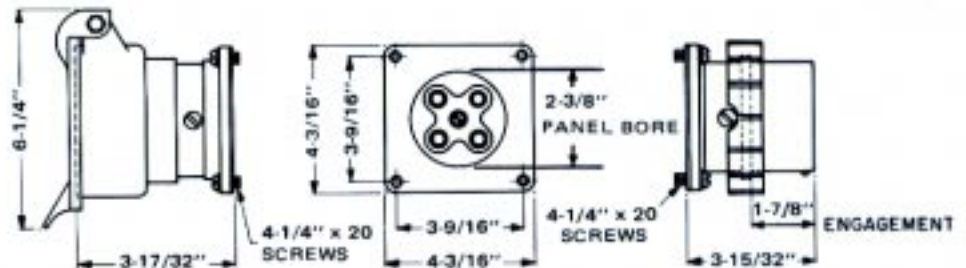
Prefixes JWPD and JWPLD



	A	B Dia.
Plain	9-3/8"	3-5/8"
Threaded	9-3/8"	3-15/16"

### REVERSE SERVICE RECEPTACLES

Prefixes JZC and JZL



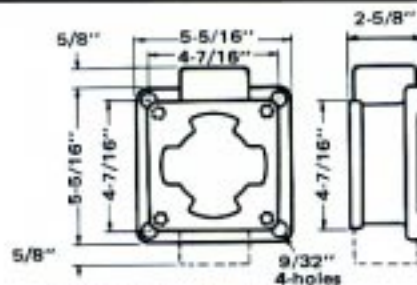
JZC Side View

JZC/JZL Back View

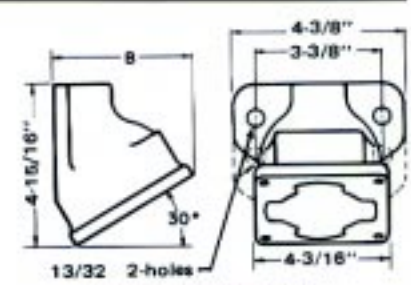
JZL Side View

### CONDUIT BOXES

(For 1 1/2" Conduit)



Straight Housing (only)  
Prefixes JRCA, JRLA, and  
JREA



Angle Housing (only)  
Prefixes JRCBB, JRLBB  
and JREBB

NOTES: ANY CORD CONNECTING DEVICE CAN BE FURNISHED WITH ADDITIONAL STRAIN RELIEF, i.e., MECHANICAL CLAMP NUT OR BASKET WEAVE GRIP. FOR MECHANICAL CLAMP NUT SUFFIX - M, EXAMPLE JPLD - 1110446 BECOMES JPLD - 1110446 - M, FOR BASKET WEAVE GRIP SUBSTITUTE "D" WITH "K", EXAMPLE JPLD - 1110446 BECOMES JPLK - 1110446. SOLDER TYPE LINE CONTACTS ARE STANDARD, SUFFIX - PR FOR PRESSURE TYPE CONTACTS.



**PYLE-NATIONAL DIVISION**

1334 N. Kostner Avenue • Chicago, IL 60651

Tel.: (312) 342-6300 Telex: 25251 Fax.: (312) 342-0872

SPEC. SHEET QA-301  
FORM #PN-673 (1/89)

# PYLE-NATIONAL

---

**Pyle-National**  
1334 N. Kostner Avenue  
Chicago, IL 60651  
Telephone (312) 342-6300  
FAX: (312) 342-0872

Pyle-National of Canada, Inc.  
2560 South Sheridan Way  
Mississauga, Ontario L5J 2M9  
Telephone (416) 822-3710  
FAX: (416) 822-5447

Pyle-National Ltd.  
Sherbrook Road  
Daybrook-Nottingham NG5 6AT  
Telephone 602/208116  
FAX: 602/208896