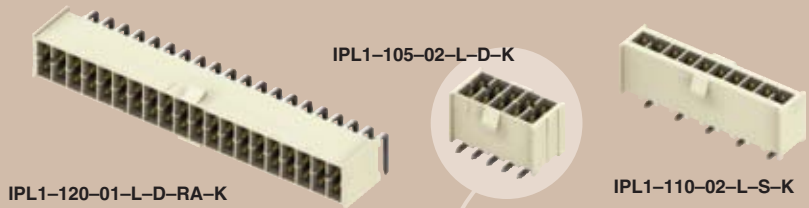




(2,54mm) .100"

IPL1 SERIES



**SPECIFICATIONS**

For complete specifications and recommended PCB layouts see [www.samtec.com?IPL1](http://www.samtec.com?IPL1)

**Insulator Material:** Natural LCP  
**Terminal Material:** Phosphor Bronze



**Plating:** Sn or Au over 50µm (1,27µm) Ni

**Operating Temp Range:** -55°C to +125°C

**Voltage Rating:** 675 VAC/954 VDC

**RoHS Compliant:** Yes

**Processing:** Lead-Free Solderable: Yes

**-S & -D SMT Lead Coplanarity:** (0,10mm) .004" max (02-05) (0,13mm) .005" max (06-10) (0,15mm) .006" max (11-25)

**-DH SMT Lead Coplanarity:** (0,254mm) .010" max

**Mates with:** MMSS, MMSS, IPD1, SCR2 (Does not mate with IPS1)

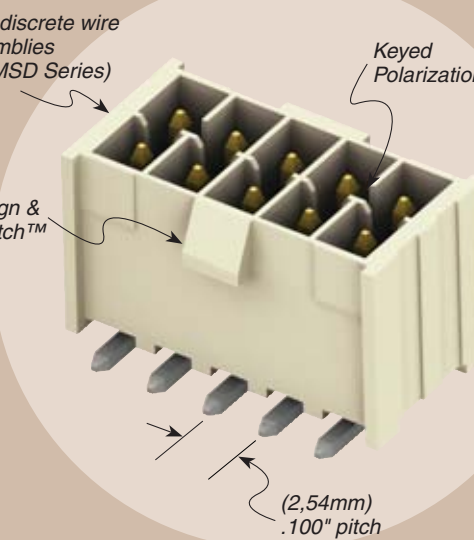
Mates with discrete wire cable assemblies (IPD1 & MMSS Series)

Keyed Polarization

Surface Mount, Right Angle and Vertical Through-hole

Align & Latch™

CURRENT RATING		
AMBIENT TEMP	SCP2/SCR2/IPL1	MMSS/IPL1
20°C	5A	7.4A
40°C	4.2A	6.5A
60°C	3.5A	5.9A
75°C	2.8A	N/A
95°C	N/A	3.8A
6 POSITIONS (2x3) 20 AWG POWERED		



• Individually shrouded pins  
 • Align & Latch™ System

**APPLICATION SPECIFIC OPTIONS**

- With or without Plug Polarization.
  - Guide post holes
- Call Samtec.

**IPL1 - 1 NO. PINS PER ROW - LEAD STYLE - PLATING OPTION - ROW OPTION - OPTION - K**

02, 05, 10, 15, 16, 20, 25  
 (Call Samtec for other sizes)

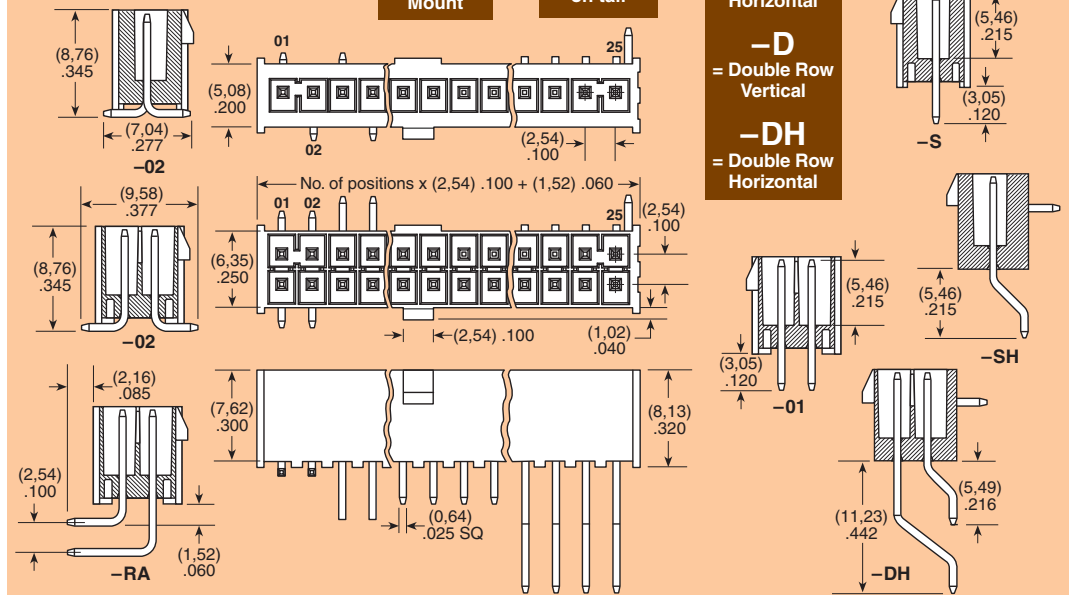
**-01** = Through-hole  
**-02** = Surface Mount

**-L** = 10µm (0,25µm) Gold on contact, Matte Tin on tail

**-S** = Single Row Vertical  
**-SH** = Single Row Horizontal  
**-D** = Double Row Vertical  
**-DH** = Double Row Horizontal

**-RA** = Right Angle (-01 lead style only)

**-K** = Keyed Polarization



**Note:** -DH row option should be placed on edge of board when mating to IPD1 and MMSS Series.

**Note:** Other Gold plating options available. Contact Samtec.

**Note:** Some sizes, styles and options are non-standard, non-returnable.

Due to technical progress, all designs, specifications and components are subject to change without notice.

[WWW.SAMTEC.COM](http://WWW.SAMTEC.COM)