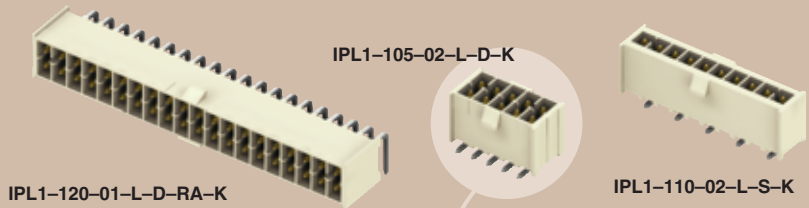




(2,54mm) .100"

IPL1 SERIES



# SHROUDED POWER CABLE HEADER

## SPECIFICATIONS

For complete specifications and recommended PCB layouts see [www.samtec.com?IPL1](http://www.samtec.com?IPL1)

**Insulator Material:** Natural LCP



**Terminal Material:** Phosphor Bronze

**Plating:** Sn or Au over 50µm (1,27µm) Ni

**Operating Temp Range:** -55°C to +125°C

**Voltage Rating:** 675 VAC/954 VDC

**RoHS Compliant:** Yes

**Processing:** Lead-Free Solderable:

Yes

-S & -D

**SMT Lead Coplanarity:** (0,10mm) .004" max (02-05) (0,13mm) .005" max (06-10) (0,15mm) .006" max (11-25)

**SMT Lead Coplanarity:** (0,254mm) .010" max

**Mates with:** MMSS, MMSS, SCR2 (Does not mate with IPS1)

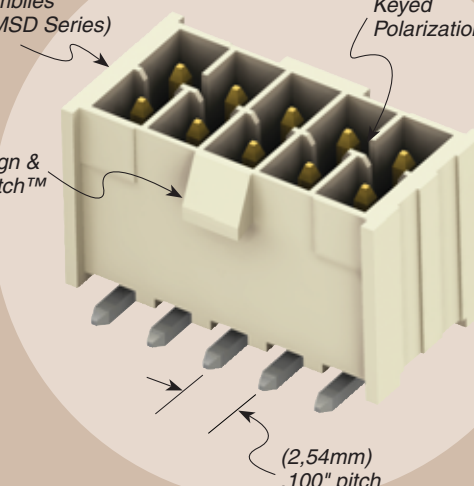
Mates with discrete wire cable assemblies (IPD1 & MMSS Series)

Keyed Polarization

Surface Mount, Right Angle and Vertical Through-hole

Align & Latch™

CURRENT RATING		
AMBIENT TEMP	SCP2/SCR2/IPL1	MMSS/IPL1
20°C	5A	7.4A
40°C	4.2A	6.5A
60°C	3.5A	5.9A
75°C	2.8A	N/A
95°C	N/A	3.8A
6 POSITIONS (2x3) 20 AWG POWERED		



(2,54mm) .100" pitch



## APPLICATION SPECIFIC OPTIONS

With or without Plug Polarization. Call Samtec.



02, 05, 10, 15, 16, 20, 25 (Call Samtec for other sizes)

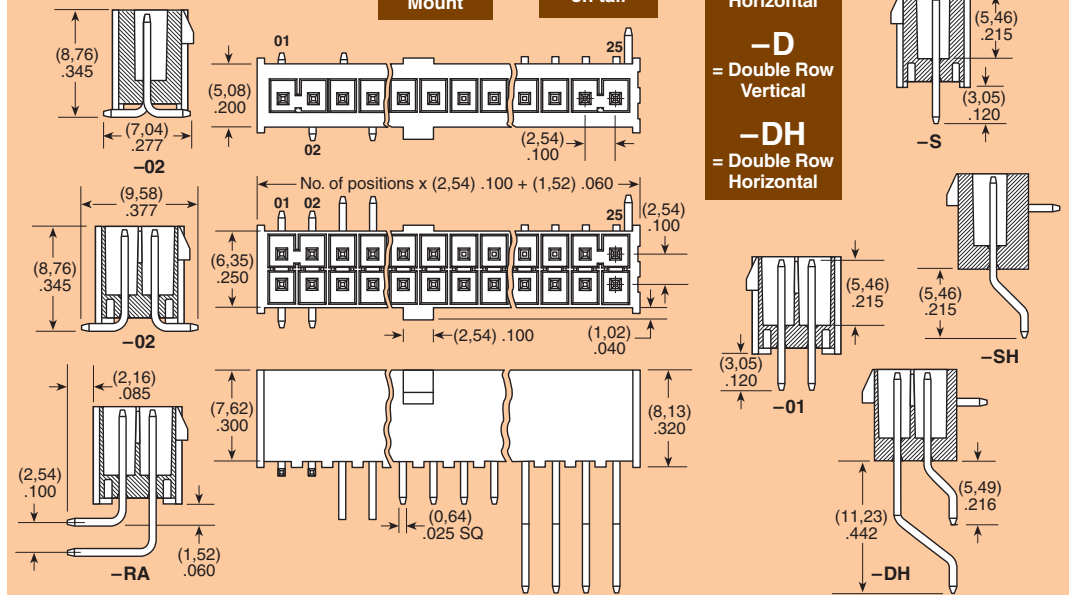
-01 = Through-hole  
-02 = Surface Mount

-L = 10µm (0,25µm) Gold on contact, Matte Tin on tail

-S = Single Row Vertical  
-SH = Single Row Horizontal  
-D = Double Row Vertical  
-DH = Double Row Horizontal

-RA = Right Angle (-01 lead style only)

-K = Keyed Polarization



**Note:** -DH row option should be placed on edge of board when mating to IPD1 and MMSS Series.

**Note:** Other Gold plating options available. Contact Samtec.

**Note:** Some sizes, styles and options are non-standard, non-returnable.

Due to technical progress, all designs, specifications and components are subject to change without notice.

[WWW.SAMTEC.COM](http://WWW.SAMTEC.COM)