

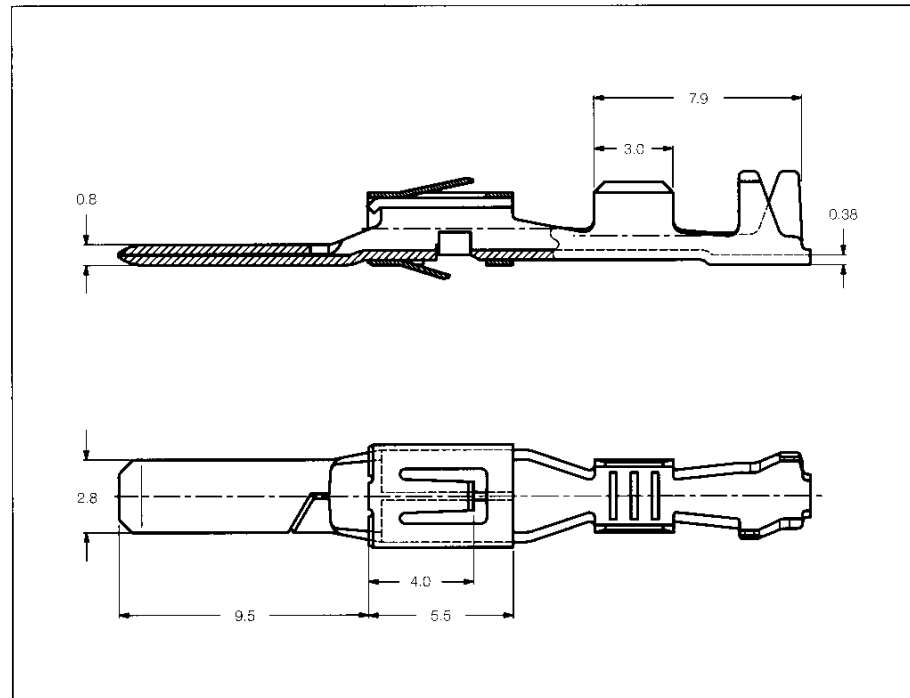
Tab Contacts Asymmetric

**Tabs 2.8 x 0.8 mm
with Asymmetric
Steel Top Spring,
Mates with
Junior Power Timer**

Extraction Tool:
Part No. 726544-1

Product Specification:
108-18063

Application Specification:
114-18051



Standard Tab Contacts

Wire Size Range (mm ²)	Insulation Diameter		Material and Finish *	Part Numbers				
	FLK (mm)	FLR (mm)		Strip Form	Packaging Unit	Loose-Piece	Packaging Unit	Applicator *
0.2-0.5	-	1.1-1.6	-1 / -2	962882	4,500	963813	500	x-878609-x
0.5-1.0	-	1.4-2.1	-1 / -2	962883	4,500	963814	500	x-878610-x
1.5-2.5	-	2.2-3.0	-1 / -2	962884	3,500	963815	500	x-878611-x

Tab Contacts with Single Wire Sealing System

Wire Size Range (mm ²)	Insulation Diameter		Material and Finish *	Part Numbers				
	FLK (mm)	FLR (mm)		Strip Form	Packaging Unit	Loose-Piece	Packaging Unit	Applicator *
0.2-0.5	-	1.2-1.6	-1 / -2	962879	4,500	963810	500	x-878609-x
0.5-1.0	-	1.4-2.1	-1 / -2 / -3	962880	2,500	963811	500	x-878618-x
1.5-2.5	-	2.2-3.0	-1 / -2 / -3	962881	2,500	963812	500	x-878619-x

***) Material and Finish:**

xxx-1 = CuSn, pre-tin plated
xxx-2 = CuFe, pre-tin plated
xxx-3 = CuSn, contact area gold plated

Additional Finishes on request.

*) The pre- and suffix for the applicators depends on the applied termination equipment.