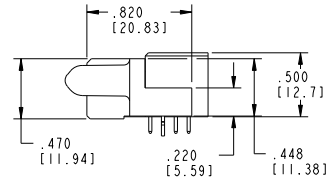
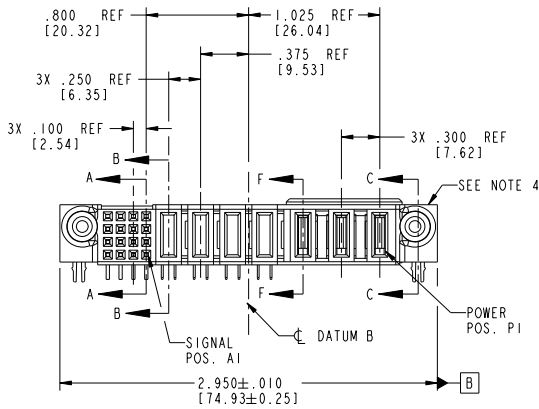
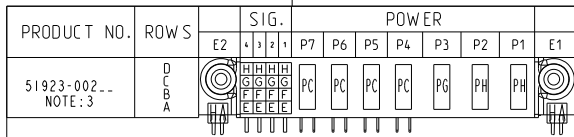


Tous droits strictement réservés. Reproduction ou communication à des tiers interdite sans autorisation écrite du propriétaire. Property of FCJ. Droit de reproduction FCJ.



All rights strictly reserved. Reproduction or issue to third parties in any form or by any means without written authority from the proprietor. Property of FCJ. Copyright FCJ.



CODE	DIM "M" MATING LENGTH	CONTACT TYPE	CONTACT WIPE LENGTH
E	N/A [N/A]	SIGNAL	SEE NOTE 12
F	N/A [N/A]	SIGNAL	SEE NOTE 12
G	N/A [N/A]	SIGNAL	SEE NOTE 12
H	N/A [N/A]	SIGNAL	SEE NOTE 12
PG	.042 [1.07]	POWER	.227 [5.77]
PH	.092 [2.34]	POWER	.177 [4.50]
HA	N/A [N/A]	HOLD-DOWN	N/A
PC	.092 [2.34]	POWER	.177 [4.50]

mal code SEE NOTE 2		tolerances unless otherwise specified		CUSTOMER	www.fcjconnect.com
lfr	ecn no.	dr	date	COPY	
A	V03-0173	TAB	02/13/03	linear	title 3ACP + 4P + 16S R/A SOLDER RECEPTACLE
B	V03-0213	MEM	02/21/03	angles	
C	V03-0245	TAB	03/10/03	or	product family PwrBlade code 213 size dwg no A 51923-002 sheet 1 of 5
D	D608-0273	WD	12/12/08	engr	
				chr	scale 1:1
				appd	
				D	
				D	
				D	
				D	
				D	

Pro/E

cage code 22526

PDM: Rev:D

STATUS:Released

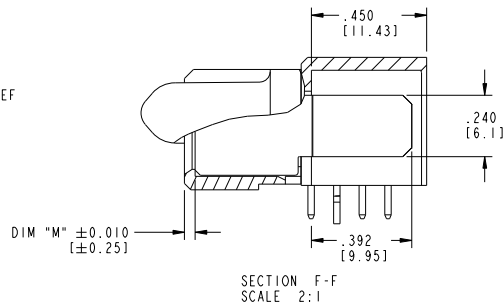
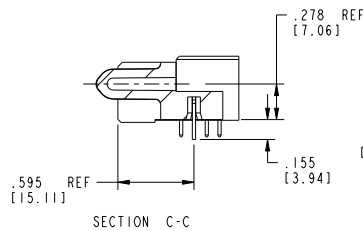
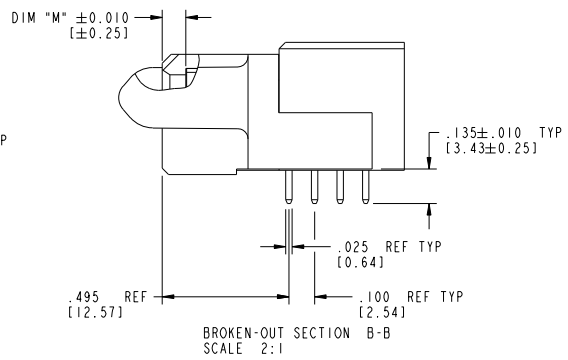
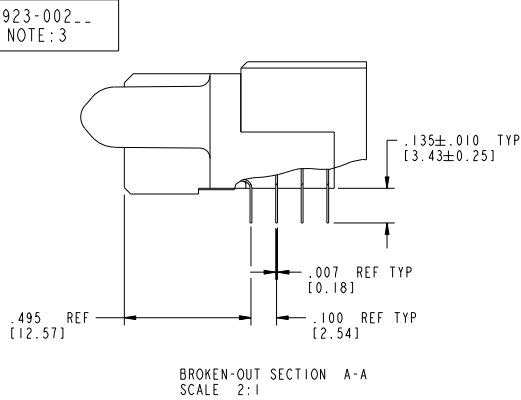
Printed: Dec 20, 2010

Tous droits strictement réservés. Reproduction ou communication à des tiers interdite sans autorisation écrite du propriétaire. Property of FCJ. © FCJ. Tous droits réservés.



All rights strictly reserved. Reproduction or issue to third parties in any form or by any means without written authority from the proprietor. Property of FCJ. Copyright FCJ.

PRODUCT NUMBER  
51923-002--  
NOTE: 3



mal'1 code		SEE NOTE 2		tolerances unless otherwise specified		CUSTOMER		FCJ		www.fcjconnect.com	
itr	ecr no.	dr	date	linear	.XX±.01/0.X±0.3	projection	COPY	title			
D				linear	.XXX±.005/0.XX±0.13			3ACP + 4P + 16S			
				angles	.XXX±.002/0.XX±0.051			R/A SOLDER RECEPTACLE			
				dr	I. BRUNGARD 02/13/03	product family	PwrBlade	code		213	
				eng	M. MOSTOLLER 02/13/03	size	dwg no	A		sheet	
				chr	M. MOSTOLLER 02/13/03	scale	1:1	51923-002		2 of 5	
				appd	M. MOSTOLLER 02/13/03						
sheet index	revision sheet										

Pro/E

cage code 22526

PDM: Rev:D

STATUS:Released

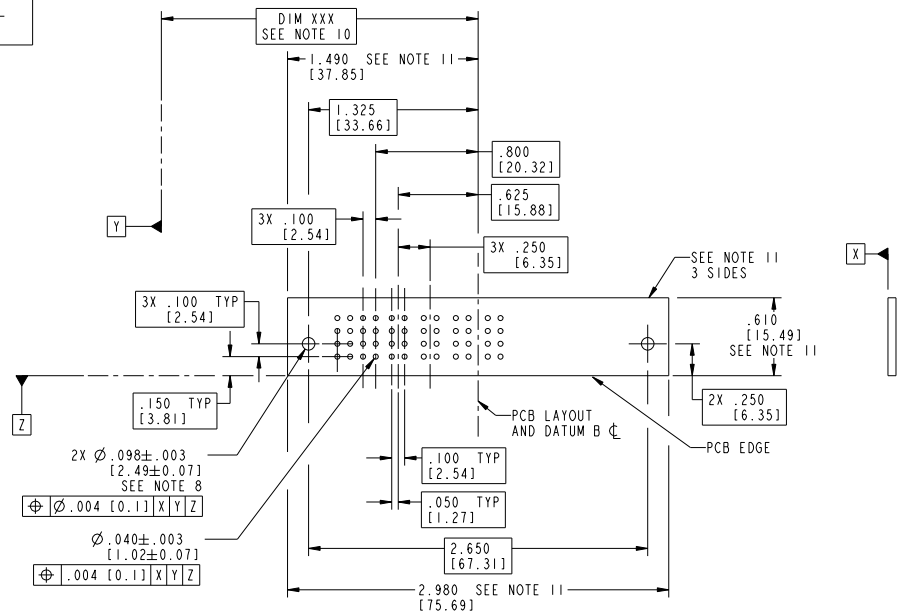
Printed: Dec 20, 2010

Tous droits strictement réservés. Reproduction ou communication à des tiers interdite sans autorisation écrite du propriétaire. Property of FCJ. Droit de reproduction FCJ.



All rights strictly reserved. Reproduction or issue to third parties in any form or by any means without written authority from the proprietor. Property of FCJ. Copyright FCJ.

PRODUCT NUMBER  
51923-002--  
NOTE: 3



mal'1 code		SEE NOTE 2		tolerances unless otherwise specified		CUSTOMER		FCJ		www.fcjconnect.com	
itr	ecn no.	dr	date	linear	.XX+.01/0.X±0.3	projection	COPY	title			
D				angles	.XXX±.005/0.XX±0.13			3ACP + 4P + 16S			
					.XXX±.002/0.XX±0.051			R/A SOLDER RECEPTACLE			
				dr	I. BRUNGARD 02/13/03	scale	1:1	product family		PwrBlade	code
				engr	M. MOSTOLLER 02/13/03			size		dwg no	213
				chr	M. MOSTOLLER 02/13/03			A		51923-002	3 of 5
				appd	M. MOSTOLLER 02/13/03						
sheet index	revision sheet										

Pro/E 3 coge code 22526 4

Tous droits strictement réservés. Reproduction ou communication o des tiers interdite sans autorisation écrite du propriétaire. Property of FCJ. Droit de reproduction FCJ.



All rights strictly reserved. Reproduction or issue to third parties in any form or by any means without written authority from the proprietor. Property of FCJ. Copyright FCJ.

PRODUCT NUMBER  
51923-002--  
NOTE:3

NOTES:

1. DIMENSIONS AND TOLERANCES ARE IN ACCORDANCE WITH ASME Y14.5M, 1994 UNLESS OTHERWISE SPECIFIED.

CONNECTOR NOTES:

2. HOUSING MATERIAL: UL 94 V-0 GLASS FILLED HIGH-TEMP THERMOPLASTIC  
POWER CONTACT MATERIAL: COPPER ALLOY  
SIGNAL PIN MATERIAL: COPPER ALLOY

3. SEE ITEM 5 & 6 IN PRINT 10064183 FOR PLATING SPEC OF 51923-002 AND 51923-002LF RESPECTIVELY.

4. MANUFACTURER'S NAME, P/N, AND DATE CODE TO APPEAR ON THIS SURFACE.

5. PRODUCT SPECIFICATION GS-12-149.  
APPLICATION SPECIFICATION BUS-20-067.

6. PACKAGED IN TRAYS.

PCB NOTES:

7. ALL HOLE DIAMETERS ARE FINISHED HOLE SIZE.

8. MOUNTING HOLES, WHERE APPLICABLE, ARE UNPLATED.

9.  $\varnothing .0453 \pm .0010$  [1.151  $\pm$  0.025] DRILLED HOLES PLATED WITH  
.0003 [0.008] MIN SnPb OVER .001 [0.03]  
TO .003 [0.08] Cu PLATING TO ACHIEVE  
 $\varnothing .040 \pm .003$  [1.02  $\pm$  .07] HOLE.

10. \*DIM XXX\* TO BE DETERMINED BY THE CUSTOMER.

11. CONNECTOR KEEP-OUT ZONE.

12. FOR SIGNAL CONTACT WIPE LENGTHS REFER TO  
MATING HEADER DRAWING.

13. A  $\Delta$  SYMBOL WILL BE NEXT TO ANY DIMENSION, VIEW, OR NOTE WHICH HAS BEEN MODIFIED  
WITH THE CURRENT DRAWING REVISION.

mat'l code				SEE NOTE 2		tolerances unless otherwise specified		CUSTOMER		FCJ		www.fcjconnect.com	
itr	ecn no.	dr	date	linear	.XX+.01/0.X+0.3	projection	COPY	title		3ACP + 4P + 16S		R/A SOLDER RECEPTACLE	
D				angles	.XXX+.005/0.XX+0.13		INCH/MM	product family		PwrBlade		code	
				dr	1. BRUNGARD 02/13/03			size		dwg no		213	
				eng	M. MOSTOLLER 02/13/03	scale		A		51923-002		sheet	
				chr	M. MOSTOLLER 02/13/03	1:1						4 of 5	
				appd	M. MOSTOLLER 02/13/03								
sheet index		revision sheet											

1 | 2

Pro/E

3 |

cage code 22526

4

PDM: Rev:D

STATUS:Released

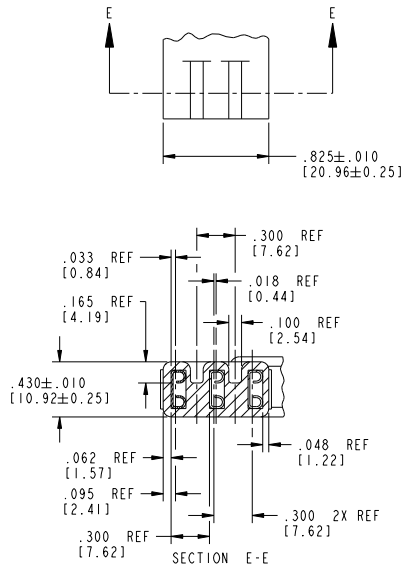
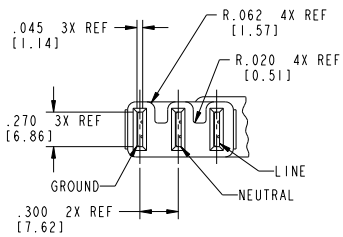
Printed: Dec 20, 2010

Tous droits strictement réservés. Reproduction ou communication à des tiers interdite sans autorisation écrite du propriétaire. Propriété de FCJ. Droits de reproduction FCJ.



All rights strictly reserved. Reproduction or issue to third parties in any form or by any means without written authority from the proprietor. Property of FCJ. Copyright FCJ.

PRODUCT NUMBER  
51923-002--  
NOTE: 3



mal'1 code		SEE NOTE 2		tolerances unless otherwise specified		CUSTOMER		FCJ		www.fcjconnect.com	
itr	ecn no.	dr	date	linear	.XX±.01/0.X±0.3	projection	COPY	title 3ACP + 4P + 16S			
D				angles	.XXX±.005/0.XX±0.13			R/A SOLDER RECEPTACLE			
				or	I. BRUNGARD 02/13/03			product family	PwrBlade	code 213	
				engr	M. MOSTOLLER 02/13/03	scale	A	size	dwg no	51923-002	sheet 5 of 5
				chr	M. MOSTOLLER 02/13/03	1:1					
				appd	M. MOSTOLLER 02/13/03						
sheet index	revision sheet										

Pro/E

cage code 22526

PDM: Rev:D

STATUS:Released

Printed: Dec 20, 2010