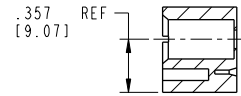


Tous droits strictement réservés. Reproduction ou communication à des tiers interdite sous quelque forme que ce soit sans autorisation écrite du propriétaire. Propriété de c FCI. Droits de reproduction FCI.

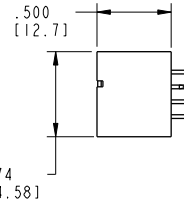
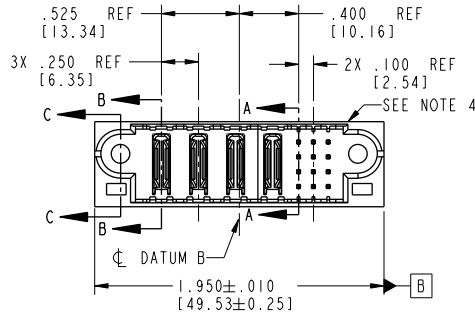
All rights strictly reserved. Reproduction or issue to third parties in any form whatever is not permitted without written authority from the proprietor. Property of FCI. Copyright FCI.



PRODUCT NO.	ROWS	POWER				SIGNAL				
		E1	P1	P2	P3	P4	1	2	3	E2
51712-002-- NOTE: 3	D C B A									



SECTION C-C



CODE	DIM "M" MATING LENGTH	CONTACT TYPE
E	.270 [6.86]	SIGNAL
PA	N/A [N/A]	POWER
H	.220 [5.59]	SIGNAL

mat'l code		SEE NOTE 2		tolerances unless otherwise specified		CUSTOMER		www.fciconnect.com	
lfr	ecr no.	dr	date	linear	XX±.01/0.XX±0.3	projection	COPY	title	
A	V20184	DA1	01/28/02		.XXX±.005/0.XX±0.13			VERTICAL HEADER w/GUIDE PIN	
B	V21104	TAB	09/30/02	angles	XXX±.0020/0.XX±0.051			POWER SIGNAL SPECIAL	
C	DG05-0389	SuoJM	10/13/05	dr	0°±?			product family	PwrBlade
				engr	D. INGRAM 01/28/02	INCH/MM		size	dwg no
				chr	M. MOSTOLLER 01/28/02	scale		A	51712-002
				appd	M. MOSTOLLER 01/28/02	1:1		code	213
				sheet index				sheet	1 of 4
				revision sheet	1 2 3 4				

Pro/E

PDM: Rev: C

STATUS: Released

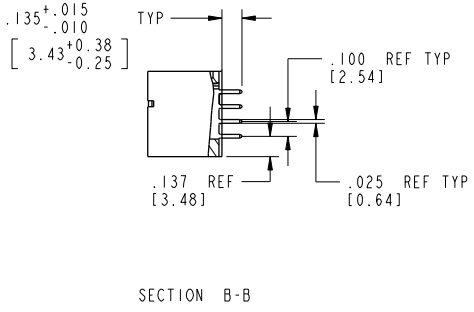
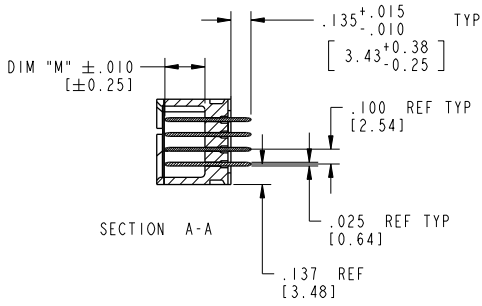
Printed: Dec 20, 2010

Tous droits strictement reserves. Reproduction ou communication a des tiers interdite sous quelque forme que ce soit sans autorisation écrite du propriétaire. Propriete de c FCI. Droits de reproduction FCI.

All rights strictly reserved. Reproduction or issue to third parties in any form whatever is not permitted without written authority from the proprietor. Property of FCI. Copyright FCI.



PRODUCT NUMBER  
51712-002--  
NOTE: 3



mat'l code		SEE NOTE 2		tolerances unless otherwise specified		CUSTOMER		 www.fciconnect.com	
lfr	ecn no.	dr	date	linear	$.XX \pm .01/0$ $.XX \pm 0.05/0$ $.XX \pm 0.13$ $.XXX \pm .002/0$ $.XX \pm 0.051$	COPY		title	
				angles	$0^\circ \pm 2^\circ$			VERTICAL HEADER w/GUIDE PIN POWER SIGNAL SPECIAL	
				dr	D. INGRAM 01/28/02	INCH/MM		product family	
				engr	M. MOSTOLLER 01/28/02	size		PwrBlade	
				chr	M. MOSTOLLER 01/28/02	scale		code	
				appd	M. MOSTOLLER 01/28/02	1:1		213	
sheet index		revision sheet						sheet 2	

STAT: **Released** Pro/E PDM: Rev: C cage code 2566 Printed: Dec 20, 2010



Tous droits strictement reserves. Reproduction ou communication a des tiers interdite sous quelque forme que ce soit sans autorisation écrite du propriétaire. Propriete de c FCI. Droits de reproduction FCI.

All rights strictly reserved. Reproduction or issue to third parties in any form whatever is not permitted without written authority from the proprietor. Property of FCI. Copyright FCI.

1 | 2

3 |

4

PRODUCT NUMBER  
51712-002..  
NOTE: 3

NOTES:

1. DIMENSIONS AND TOLERANCES ARE IN ACCORDANCE WITH ASME Y14.5M, 1994 UNLESS OTHERWISE SPECIFIED.

CONNECTORS NOTES:

2. HOUSING MATERIAL: UL 94 V-0 GLASS FILLED HIGH TEMP THERMO PLASTIC  
POWER CONTACT MATERIAL: COPPER ALLOY  
SIGNAL PIN MATERIAL: COPPER ALLOY

3. PLATING:

51712-002 Singal Pin:30u"/0.76um Au OVER 50u"/1.27um Ni ON THE CONTACT AREA,  
AND 100u"/2.54um SnPb PLATING OVER 50u"/1.27um Ni ON THE TERMINATION SECTION.  
Power Pin:30u"/0.76um Au OVER 50u"/1.27um Ni ON THE CONTACT AREA,  
AND 100u"/2.54um SnPb PLATING OVER 50u"/1.27um Ni ON THE TERMINATION SECTION.

51712-002LF Singal Pin:30u"/0.76um Au OVER 50u"/1.27um Ni ON THE CONTACT AREA,  
AND 78u"/2.00um Sn PLATING OVER 50u"/1.27um Ni ON THE TERMINATION SECTION.  
Power Pin:30u"/0.76um Au OVER 50u"/1.27um Ni ON THE CONTACT AREA,  
AND 78u"/2.00um Sn PLATING OVER 50u"/1.27um Ni ON THE TERMINATION SECTION.

PART NUMBER 51712-002LF MEETS EUROPEAN UNION DIRECTIVE AND OTHER COUNTRY REGULATIONS AS DESCRIBED IN GS-22-008.


THE HOUSING WILL WITHSTAND EXPOSURE TO 260° PEAK TEMPERATURE FOR 10 SECONDS IN A WAVE SOLDER APPLICATION WITH A CIRCUIT BOARD.

4. "MANUFACTURER" NAME, P/N, AND DATE CODE TO APPEAR ON THIS SURFACE.

5. PRODUCT SPECIFICATION GS-12-149.

PCB - NOTES:

6. ALL HOLE DIAMETERS ARE FINISHED HOLE SIZE.
7.  $\varnothing.0453 \pm 0.0010$  [1.151  $\pm$  0.025] DRILLED HOLES PLATED WITH 0.0003 [0.008] MIN SnPb OVER .001 [0.03] TO .003 [0.08] Cu PLATING TO ACHIEVE  $\varnothing.040 \pm .003$  [1.02  $\pm$  .07] HOLE.
8. "DIM XXX" TO BE DETERMINED BY THE CUSTOMER.

mat'l code				SEE NOTE 2	tolerances unless otherwise specified	CUSTOMER	 <a href="http://www.fciconnect.com">www.fciconnect.com</a>	
lfr	ecr no.	dr	date	linear	.XX±.01/0.XX±0.3	COPY	title	
C				angles	.XXX±.005/0.XX±0.13	projection	VERTICAL HEADER w/GUIDE PIN POWER SIGNAL SPECIAL	
				dr	.XXX±.002/0.XX±0.051	INCH/MM	product family	code
				engr	D. INGRAM 01/28/02	scale	PwrBlade	213
				chr	M. MOSTOLLER 01/28/02	1:1	size	sheet
				appd	M. MOSTOLLER 01/28/02		dwg no	4
sheet index	revision sheet						A	51712-002

1 | 2

Pro/E

PDM: Rev: C

STATUS: Released

Printed: Dec 20, 2010