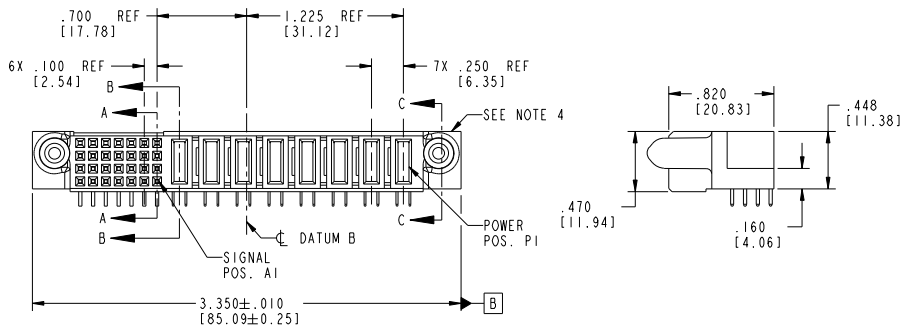
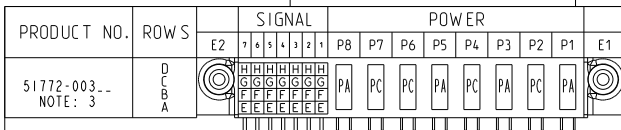


Tous droits strictement réservés. Reproduction ou communication à des tiers interdite sans autorisation écrite du propriétaire. Property of FCJ. Droits de reproduction FCJ.



All rights strictly reserved. Reproduction or issue to third parties in any form or by any means without written authority from the proprietor. Property of FCJ. Copyright FCJ.



CODE	DIM "M" MATING LENGTH	CONTACT TYPE
E	N/A [N/A]	SIGNAL
F	N/A [N/A]	SIGNAL
G	N/A [N/A]	SIGNAL
H	N/A [N/A]	SIGNAL
PA	.042 [1.07]	POWER
PC	.092 [2.34]	POWER

mal code		SEE NOTE 2	tolerances unless otherwise specified	CUSTOMER	www.fcjconnect.com
lfr	ecn no.	dr	date	COPY	
A	V04-0801	TAB	08/05/04	linear	title 8P + 28S R/A SOLDER RECEPTACLE
B	D605-0300	GuoJM	08/29/05	angles	
C	D608-0272	SH	09/28/08	dr	INCH/MM scale 1:1
				engr	
				chr	product family PwrBlode
				appd	size 51772-003
					code 213
sheet index	revision sheet	C	C	C	sheet 1 of 4
		1	2	3	

Pro/E

cage code 22526

PDM: Rev:C

STATUS:Released

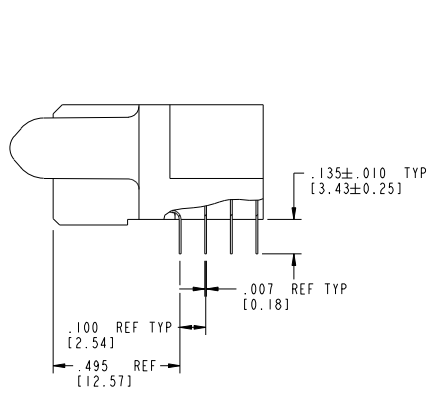
Printed: Dec 20, 2010

Tous droits strictement réservés. Reproduction ou communication à des tiers interdite sans autorisation écrite du propriétaire. Propriété de FCJ. Droits de reproduction FCJ.

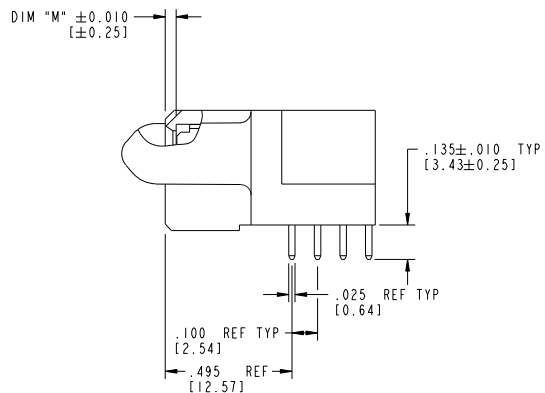


All rights strictly reserved. Reproduction or issue to third parties in any form or by any means without written authority from the proprietor. Property of FCJ. Copyright FCJ.

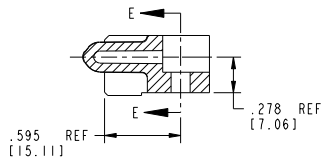
PRODUCT NUMBER
51772-003--
NOTE: 3



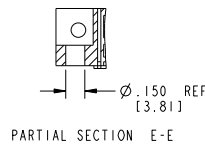
BROKEN-OUT SECTION A-A
SCALE 2:1



BROKEN-OUT SECTION B-B
SCALE 2:1



SECTION C-C



PARTIAL SECTION E-E

mal'1 code		SEE NOTE 2		tolerances unless otherwise specified		CUSTOMER		FCJ		www.fciconnect.com	
lir	ecm no.	dr	date	linear	.XX±.01/0.1±0.3	projection	COPY	title			
C				angles	.XXX±.005/0.11±0.13			8P + 28S			
				dr	.XXX±.002/0.11±0.051		R/A SOLDER RECEPTACLE				
				engr	I. BRUNGARD 08/05/04	INCH/MM		product family	PwrBlode		code
				chr	M. GRAY 08/05/04	scale		size	dwg no	213	
				appd	M. GRAY 08/05/04	1:1		A	51772-003	sheet	
sheet index	revision sheet									2 of 4	

Pro/E

cage code 22526

PDM: Rev:C

STATUS:Released

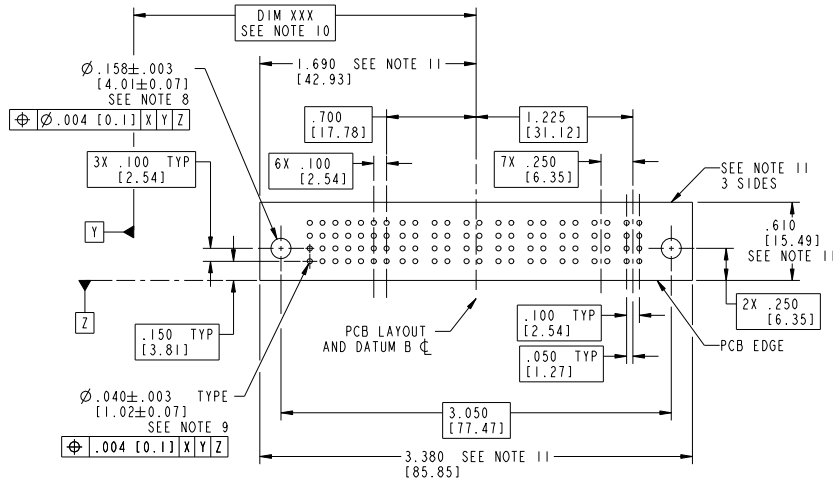
Printed: Dec 20, 2010

Tous droits strictement réservés. Reproduction ou communication à des tiers interdite sans autorisation écrite du propriétaire. Property of FCJ. Droits de reproduction FCJ.



All rights strictly reserved. Reproduction or issue to third parties in any form or by any means without written authority from the proprietor. Property of FCJ. Copyright FCJ.

PRODUCT NUMBER
51772-003__
NOTE: 3



RECOMMENDED PCB LAYOUT

mat'l code				tolerances unless otherwise specified		CUSTOMER		FCJ		www.fcjconnect.com	
lfr	ecn no.	dr	date	linear	.XX±.01/0.1±0.3	COPY		title			
C				linear	.XXX±.005/0.1±0.13	projection		8P + 28S			
				angles	.XXX±.002/0.1±0.351	INCH/MM		R/A SOLDER RECEPTACLE			
				dr	I. BRUNGARD 08/05/04	scale		product family		PwrBlode	
				engr	M. GRAY 08/05/04	1:1		size		code	
				chr	M. GRAY 08/05/04			dwg no		213	
				appd	M. GRAY 08/05/04			A		51772-003	
sheet index	revision sheet									3 of 4	

Pro/E

cage code 22526

PDM: Rev:C

STATUS:Released

Printed: Dec 20, 2010

Tous droits strictement réservés. Reproduction ou communication à des tiers interdite sans autorisation écrite du propriétaire. Property of FCJ. Droit de reproduction FCJ.



All rights strictly reserved. Reproduction or issue to third parties in any form or by any means without written authority from the proprietor. Property of FCJ. Copyright FCJ.

PRODUCT NUMBER
51772-003__
NOTE: 3

NOTES:

1. DIMENSIONS AND TOLERANCES ARE IN ACCORDANCE WITH ASME Y14.5M, 1994 UNLESS OTHERWISE SPECIFIED.

CONNECTOR NOTES:

- 2. HOUSING MATERIAL: UL 94 V-0 GLASS FILLED HIGH-TEMP THERMOPLASTIC
POWER CONTACT MATERIAL: COPPER ALLOY
SIGNAL PIN MATERIAL: COPPER ALLOY
- 3. PLATING:
SEE ITEM 5 & 6 IN PRINT 10064183 FOR PLATING SPEC OF 51772-003 AND 51772-003LF RESPECTIVELY
- 4. MANUFACTURER'S NAME, P/N, AND DATE CODE TO APPEAR ON THIS SURFACE.
- 5. PRODUCT SPECIFICATION GS-12-149.
APPLICATION SPECIFICATION BUS-20-067.
- 6. PACKAGED IN TRAYS.

PCB NOTES:

- 7. ALL HOLE DIAMETERS ARE FINISHED HOLE SIZE.
- 8. MOUNTING HOLES, WHERE APPLICABLE, ARE UNPLATED.
- 9. $\varnothing .0453 \pm .0010$ [1.151 \pm 0.025] DRILLED HOLES PLATED WITH .0003 [0.008] MIN SnPb OVER .001 [0.03] TO .003 [0.08] Cu PLATING TO ACHIEVE $\varnothing .040 \pm .003$ [1.02 \pm .07] HOLE.
- 10. "DIM XXX" TO BE DETERMINED BY THE CUSTOMER.
- 11. CONNECTOR KEEP-OUT ZONE.

12: A \triangle SYMBOL WILL BE NEXT TO ANY DIMENSION, VIEW, OR NOTE WHICH HAS BEEN MODIFIED WITH CURRENT DRAWING VERSION.

mat'l code				SEE NOTE 2		tolerances unless otherwise specified		CUSTOMER		FCJ		www.fcjconnect.com	
lfr	ecr no.	dr	date	linear	.1X±.01/0.1±0.3	projection	COPY	title		8P + 28S		R/A SOLDER RECEPTACLE	
C				angles	.1X±.005/0.1X±0.13			product family		PwrBlode		code	
				dr	1. BRUNGARD 08/05/04			size		dwg no		213	
				eng	M. GRAY 08/05/04	scale		A		51772-003		4 of 4	
				chr	M. GRAY 08/05/04	1:1							
				appd	M. GRAY 08/05/04								
sheet index	revision sheet												

Pro/E 3 | cage code 22526 4