

Power contacts



Description

TRIM TRIO® connectors also offer possibilities to use or combine power contacts with the standard size 16 signal contacts into the same housing.

It offers customers to reduce the number of connectors when combining signal and high current applications into one connector.

The signal cavities accept the full range of TRIM TRIO®:

- Size 16 contacts for applications up till 13 A
- Size 20 contacts for applications up till 7.5 A

Power cavities will either accept:

- **Size 12 contacts for applications up till 26A**
- **Size 8 contacts for applications up till 44A**

Pin and socket contacts are machined crimp snap-in and sockets for heavy duty top performance requirements.

For any specific power arrangement, please consult us.

UTS : Your first choice in waterproof connectors !

Power contacts



Technical characteristics

Performance

	Contacts #12 (Ø2.4)	Contacts #8 (Ø3.6)
• Current per contact max.:	26 A	44A
• Contact resistance:	≤ 5 mΩ	≤ 5 mΩ

Construction

- Contact body: High conductive copper alloy

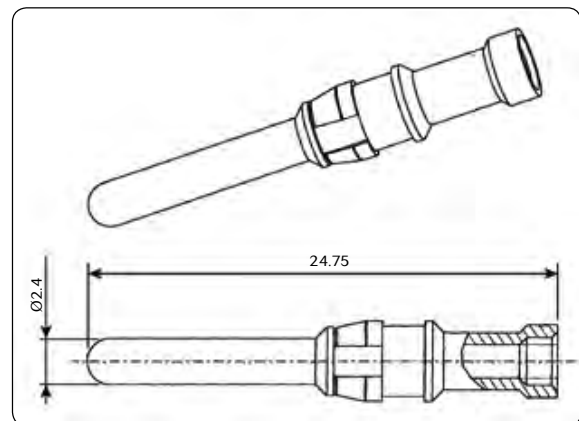
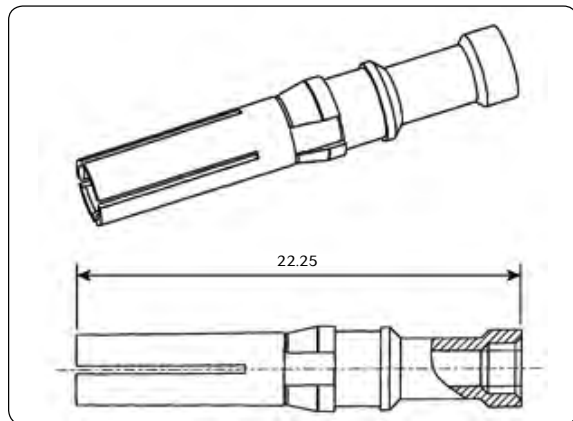
Plating

K	0.4µm gold min. all over, over nickel
A	3µm silver all over

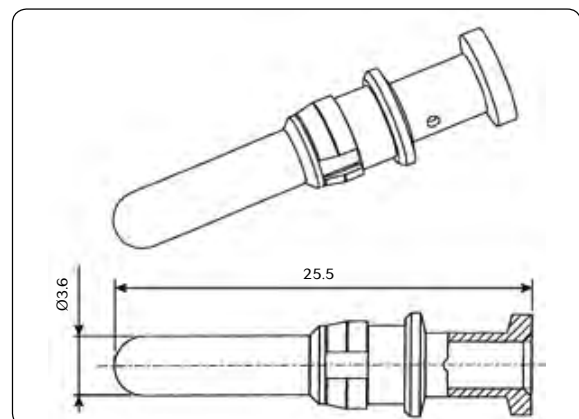
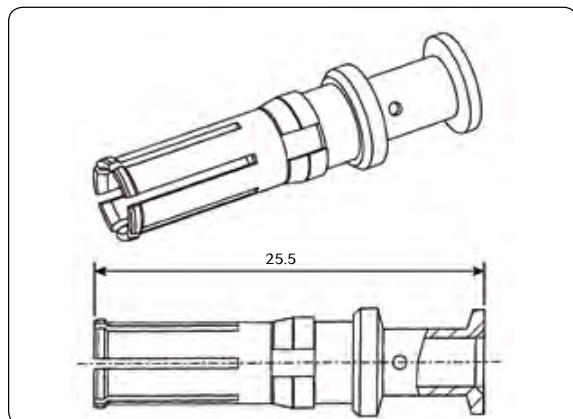
Connector accommodation

Power contacts can be used in the existing power arrangements of the UTS - see catalog pages 6/7 - UTP, UTG, UTO, UTV and SMS connectors - see pages in the TRIM TRIO® catalog.

Contacts #12 (Ø2.4 mm)



Contacts #8 (Ø3.6 mm)



Note : all dimensions are in mm

UTS : Your first choice in waterproof connectors !

Power contacts



Ordering information

Part numbers		Contact size	Contact Ø	Cable		Crimp tooling	Locator setting	Locator	Extraction tooling	Plating	
Pin	Socket			Section							Insulator Ø
				mm	mm ²						AWG
82911459NA	82911458A	#12	2.4	0.5	20	4.9	M317	VGE10077A	51060210924	Ag	
82911461NA	82911460A			0.75-1.0	18						
82911463NA	82911462A			1.5	16						
82911465NA	82911464A			2.5	14						
82911467NA	82911466A			4.0	12						
82911459NK	82911458K	#12	2.4	0.5	20	4.9	M317	VGE10077A	51060210924	Au	
82911461NK	82911460K			0.75-1.0	18						
82911463NK	82911462K			1.5	16						
82911465NK	82911464K			2.5	14						
82911467NK	82911466K			4.0	12						
82913601A	82913600A	#8	3.6	1.5	16	6.5	M317	VGE10078A	51060210936	Ag	
82913603A	82913602A			2.5	14						
82913605A	82913604A			4.0	12						
82913607A	82913606A			6.0	10						
82913609A	82913608A			10.0	8						

Note : all dimensions are in mm

UTS : Your first choice in waterproof connectors !