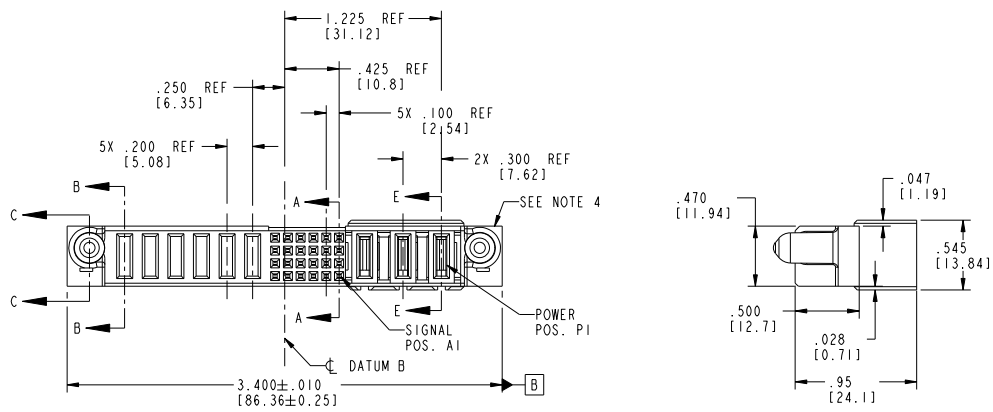


Tous droits strictement réservés. Reproduction ou communication à des tiers interdite sans autorisation écrite du propriétaire. Property of FCJ. Droit de reproduction FCJ.



All rights strictly reserved. Reproduction or issue to third parties in any form or by any means without written authority from the proprietor. Property of FCJ. Copyright FCJ.

PRODUCT NO.	ROWS	POWER						SIGNAL						POWER			E1					
		E2	P9	P8	P7	P6	P5	P4	1	2	3	4	5	6	7	8		9	P3	P2	P1	
51927-004_	D C B A																					
NOTE: 3																						



CODE	DIM "M"	MATING LENGTH	CONTACT TYPE
F	N/A	[N/A]	SIGNAL
PC	.042	[1.07]	POWER
PG	.042	[1.07]	POWER
PH	.092	[2.34]	POWER

mal'1 code		SEE NOTE 2		tolerances unless otherwise specified		CUSTOMER		FCJ		www.fcjconnect.com	
ltr	con no.	dr	date	linear	.XX ± .01/0.X ± 0.3	projection	COPY	title			
A	V03-1149	TAB	10/24/03		.XXX ± .005/0.XX ± 0.13	INCH/MM	scale	3ACP + 24S + 6P			
B	V03-1215	TAB	11/11/03	angles	.XXX ± .002/0.XX ± 0.051			VERTICAL PF RECEPT CABLE PORT			
C	V03-1223	TAB	11/14/03		° ± .2	product family		PwrBlade		code	
D	D608-0273	WD	12/12/08	dr	I. BRUNGARD 10/24/03	size		dwg no		sheet	
				eng	M. GRAY 10/24/03	A		51927-004		1 of 4	
				chr	M. GRAY 10/24/03						
				appd	M. GRAY 10/24/03						
sheet index	revision sheet	D	D	D	D						
		1	2	3	4						

code code 22526

PDM: Rev:D

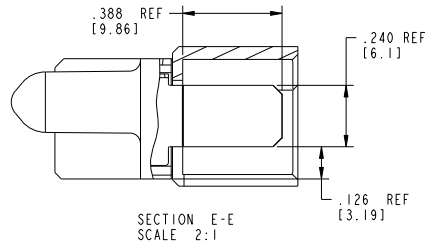
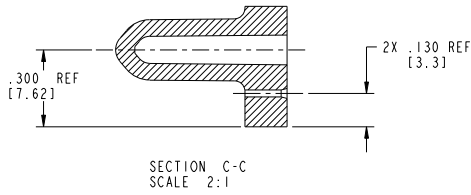
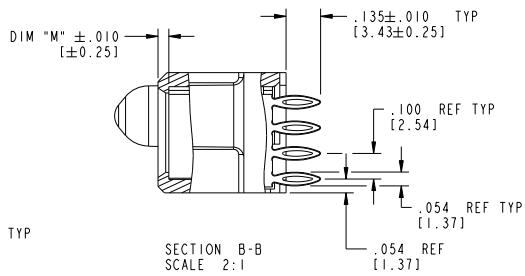
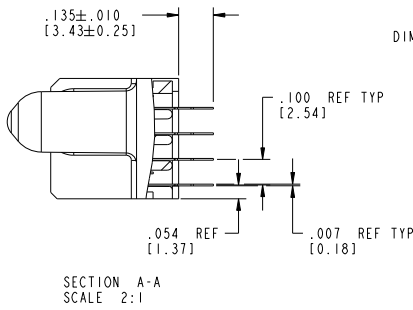
STATUS:Released

Printed: Dec 20, 2010

Tous droits strictement réservés. Reproduction ou communication à des tiers interdite sans autorisation écrite du propriétaire. Property of FCJ. Droit de reproduction FCJ.

All rights strictly reserved. Reproduction or issue to third parties in any form or by any means without written authority from the proprietor. Property of FCJ. Copyright FCJ.

PRODUCT NUMBER  
51927-004\_\_  
NOTE:3



mal'1 code		SEE NOTE 2		tolerances unless otherwise specified		CUSTOMER		FCJ		www.fcjconnect.com	
itr	ecn no.	dr	date	linear	.XX±.01/0.X±0.3	projection	COPY	title			
D				angles	.XXX±.005/0.XX±0.13			3ACP + 24S + 6P			
				dr	.XXX±.002/0.XX±0.051			VERTICAL PF RECEPT CABLE PORT			
				eng	T. BRUNGARD 10/24/03	product family	PwrBlade	code			
				chr	M. GRAY 10/24/03	size	dwg no	213			
				appd	M. GRAY 10/24/03	scale	A	51927-004			
sheet index	revision sheet							sheet 2 of 4			

Pro/E

cage code 22526

PDM: Rev:D

STATUS:Released

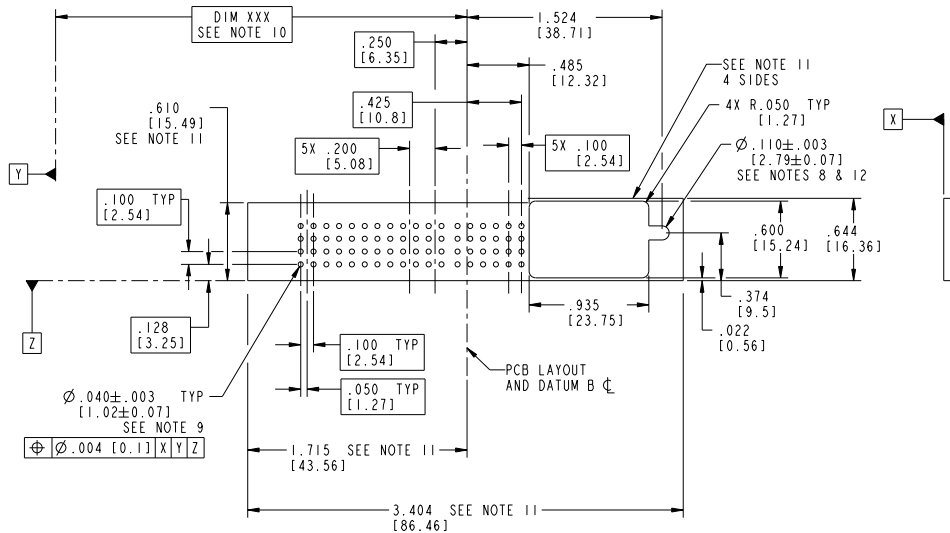
Printed: Dec 20, 2010

Tous droits strictement réservés. Reproduction ou communication à des tiers interdite sans autorisation écrite du propriétaire. Property of FCJ. Droit de reproduction FCJ.



All rights strictly reserved. Reproduction or issue to third parties in any form or by any means without written authority from the proprietor. Property of FCJ. Copyright FCJ.

PRODUCT NUMBER  
51927-004--  
NOTE:3



mal'1 code	SEE NOTE 2			tolerances unless otherwise specified	CUSTOMER	www.fcjconnect.com	
itr	ecn no.	dr	date	linear $.XX \pm .01/0.X \pm 0.3$ $.XXX \pm .005/0.XX \pm 0.13$ $.XXXX \pm .002/0.XXX \pm 0.051$	COPY		title 3ACP + 24S + 6P VERTICAL PF RECEPT CABLE PORT
D				angles $^{\circ}$ $^{\circ}$	projection 	product family PwrBlade	code 213
				dr I. BRUNGARD 10/24/03	INCH/MM 	size A	sheet 3 of 4
				engr M. GRAY 10/24/03	scale 1:1	dwg no 51927-004	
				chr M. GRAY 10/24/03			
				appd M. GRAY 10/24/03			
sheet index	revision sheet						

1 | 2 Pro/E 3 | 4 cage code 22526

Tous droits strictement réservés. Toute réimpression ou communication à des tiers interdite sans la permission écrite du propriétaire. Property of FCJ. Droit de reproduction FCJ.



All rights strictly reserved. Reproduction or issue to third parties in any form or by any means without written authority from the proprietor. Property of FCJ. Copyright FCJ.

PRODUCT NUMBER  
51927-004\_\_  
NOTE:3

NOTES:

1. DIMENSIONS AND TOLERANCES ARE IN ACCORDANCE WITH ASME Y14.5M, 1994 UNLESS OTHERWISE SPECIFIED.  
CONNECTOR NOTES:

- ② HOUSING MATERIAL: UL 94 V-0 GLASS FILLED HIGH-TEMP THERMOPLASTIC  
POWER CONTACT MATERIAL: COPPER ALLOY  
SIGNAL PIN MATERIAL: COPPER ALLOY
- ⚠ 3. SEE ITEM 5 & 6 IN PRINT 10064183 FOR PLATING SPEC OF 51927-004 AND 51927-004LF RESPECTIVELY.
- ④ MANUFACTURER'S NAME, P/N, AND DATE CODE TO APPEAR ON THIS SURFACE.
- 5. PRODUCT SPECIFICATION GS-12-149.  
APPLICATION SPECIFICATION BUS-20-067.
- 6. PACKAGED IN TRAYS.
- PCB NOTES:
- 7. ALL HOLE DIAMETERS ARE FINISHED HOLE SIZE.
- ⑧ MOUNTING HOLES, WHERE APPLICABLE, ARE UNPLATED.
- ⑨  $\varnothing .0453 \pm .0010$  [1.151  $\pm$  0.025] DRILLED HOLES PLATED WITH  
.0003 [0.008] MIN SnPb OVER .001 [0.03]  
TO .003 [0.08] Cu PLATING TO ACHIEVE  
 $\varnothing .040 \pm .003$  [1.02  $\pm$  .07] HOLE.
- ⑩ "DIM XXX" TO BE DETERMINED BY THE CUSTOMER.
- ⑪ CONNECTOR KEEP-OUT ZONE.
- ⑫ RECOMMENDED RETENTION TO PCB  
 $\varnothing .110$  [2.79] THRU HOLE FOR M2.5 SOCKET HEAD CAP SCREW, MAX HEAD  $\varnothing .177$  [4.50]  
RECOMMENDED SCREW LENGTH .472 [12.00] + PCB THICKNESS  
RECOMMENDED SCREW SEATING TO PCB TORQUE: 2-5 lbf-in (2300-5760 gf-cm).
- 13. ⚠ SYMBOL WILL BE NEXT TO ANY DIMENSION, VIEW, OR NOTE WHICH HAS BEEN MODIFIED WITH THE CURRENT DRAWING REVISION.

mal'1 code		SEE NOTE 2		tolerances unless otherwise specified		CUSTOMER		FCJ		www.fcjconnect.com	
itr	ecr no.	dr	date	linear	.XX+.01/0.X+0.3	projection	COPY	title			
D				linear	.XXX+.005/0.XX+0.13			3ACP + 24S + 6P			
				angles	.XXX+.002/0.XX+0.051		VERTICAL PF RECEPT CABLE PORT				
				dr	1. BRUNGARD 10/24/03			product family		PwrBlade	code
				eng	M. GRAY 10/24/03		size		dwg no	213	sheet
				chr	M. GRAY 10/24/03	scale	1:1	A		51927-004	4 of 4
				appd	M. GRAY 10/24/03						sheet
sheet index	revision sheet										

1 | 2

Pro/E

3 |

cage code 22526

4

PDM: Rev:D

STATUS:Released

Printed: Dec 20, 2010