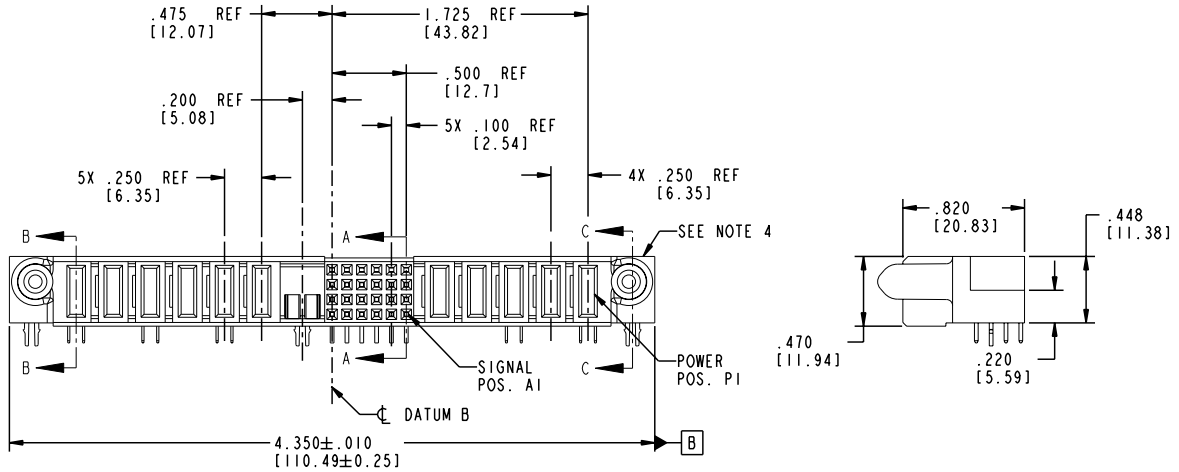
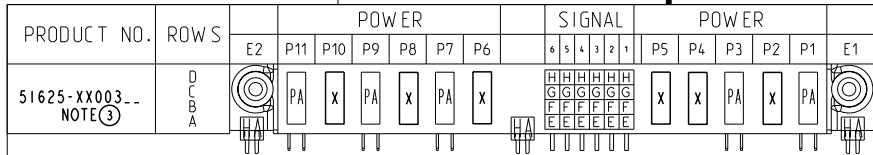


Tous droits strictement réservés. Reproduction ou communication o des tiers interdite sans l'aveu écrit de sans l'aveu écrit du propriétaire. Property of FCI. Droits de reproduction FCI.

All rights strictly reserved. Reproduction or issue to third parties in any form is not permitted without written authority from the proprietor. Property of FCI. Copyright FCI.



CODE	DIM "M" MATING LENGTH	CONTACT TYPE
HA	N/A [N/A]	HOLD-DOWN
PA	.042 [1.07]	POWER
H	N/A [N/A]	SIGNAL
G	N/A [N/A]	SIGNAL
F	N/A [N/A]	SIGNAL
E	N/A [N/A]	SIGNAL
X	OMITTED	OMITTED

mat'l code SEE NOTE 2				tolerances unless otherwise specified		CUSTOMER		FCI	
lfr	ecm no.	dr	date	linear	angles	COPY		www.fciconnect.com	
A	V04-0954	TAB	09/30/04	.XX±.01/0.XX±0.3		projection		title	
B	DG05-0097	SW	04/27/05	.XXX±.002/0.XXX±0.051		INCH/MM		product family	
						scale		PwrBlade	
				dr T. BRUNGARD 09/30/04		1:1		code	
				enr M. GRAY 09/30/04				213	
				chr M. GRAY 09/30/04				sheet	
				appd M. GRAY 09/30/04				1 of 4	
sheet index	revision sheet	B	B	B	B				
		1	2	3	4				
								cage code	
								22526	

Pro/E

cage code 22526

PDM: Rev:B

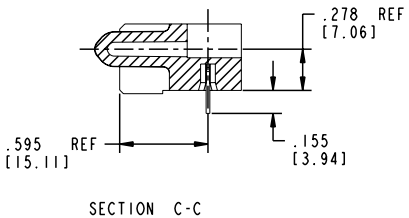
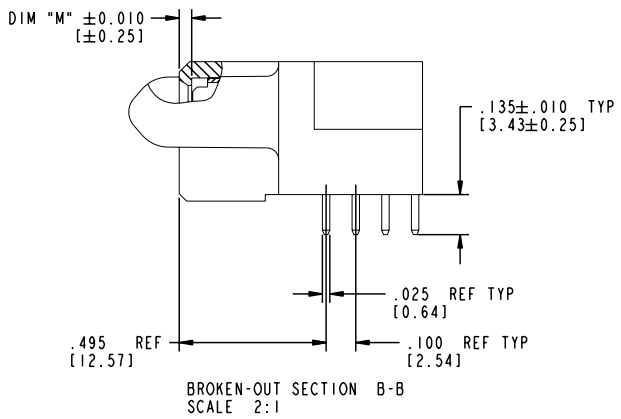
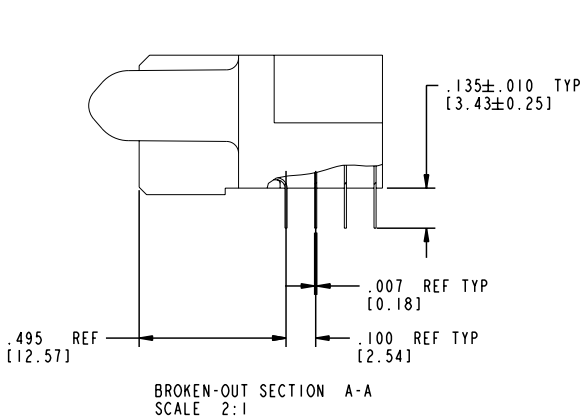
STATUS: Released

Printed: Dec 20, 2010

Tous droits strictement réservés. Reproduction ou communication à des tiers interdite sans autorisation écrite du propriétaire. Property of FCI. Droits de reproduction FCI.

All rights strictly reserved. Reproduction or issue to third parties in any form is prohibited without written authority from the proprietor. Property of FCI. Copyright FCI.

PRODUCT NUMBER  
**51625-XX003..**  
 NOTE ③



mat'l code SEE NOTE 2				tolerances unless otherwise specified		CUSTOMER		 www.fciconnect.com	
lfr	ecm no.	dr	date	linear	.XX±.01/0.XX±0.3	COPY		title	
B				XXX±.005/0.XX±0.13	projection			<b>5P + 24S + 1M + 6P</b> <b>R/A SOLDER RECEPTACLE</b>	
				angles	XXX±.0020/0.XX±0.051			product family	
				dr	T. BRUNGARD 09/30/04	scale		PwrBlade	
				enr	M. GRAY 09/30/04	1:1		code	
				chr	M. GRAY 09/30/04			213	
				appd	M. GRAY 09/30/04			sheet	
sheet index		revision sheet						2 of 4	

cage code **22526**

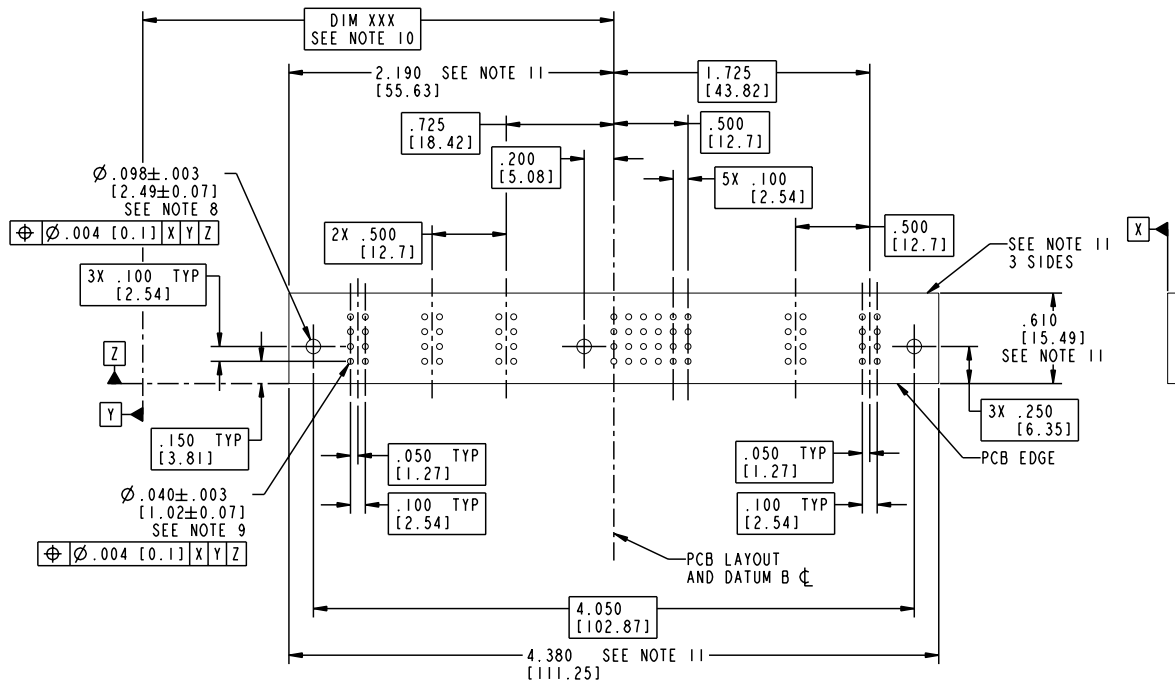
Pro/E

**PDM: Rev:B** STATUS: **Released** Printed: Dec 20, 2010

Tous droits strictement réservés. Reproduction ou communication à des tiers interdite sans autorisation écrite du propriétaire. Property of FCI. Copyright FCI. Droits de reproduction FCI.

All rights strictly reserved. Reproduction or issue to third parties in any form is prohibited without written authority from the proprietor. Property of FCI. Copyright FCI.

PRODUCT NUMBER  
**51625-XX003..**  
 NOTE ③



mat'l code		SEE NOTE 2	tolerances unless otherwise specified		CUSTOMER	 www.fciconnect.com
lfr	ecm no.	dr	date	linear	COPY	
B				XX±.01/0.X±0.3	projection	title
				XXX±.005/0.XX±0.13		5P + 24S + 1M + 6P
				XXXX±.0020/0.XXX±0.051	INCH/MM	R/A SOLDER RECEPTACLE
				angles	scale	product family
				0°±7°	1:1	PwrBlade
				dr		code
				T. BRUNGARD		213
				enr		sheet
				M. GRAY		3 of 4
				chr		
				M. GRAY		
				appd		
				M. GRAY		
sheet index	revision sheet					

Pro/E

cage code 22526

PDM: Rev:B

STATUS: Released

Printed: Dec 20, 2010

Tous droits strictement réservés. Reproduction ou communication o des tiers interdite  
 Tous droits strictement réservés. Reproduction ou communication o des tiers interdite  
 Property of FCI. Copyright FCI.

All rights strictly reserved. Reproduction or issue to third parties in any  
 form is prohibited without written authority from the proprietor.  
 Property of FCI. Copyright FCI.

PRODUCT NUMBER

**51625-XX003..**  
**NOTE(3)**

NOTES:

1. DIMENSIONS AND TOLERANCES ARE IN ACCORDANCE WITH  
 ASME Y14.5M, 1994 UNLESS OTHERWISE SPECIFIED.

CONNECTOR NOTES:

2. HOUSING MATERIAL: UL 94 V-0 GLASS FILLED

HIGH-TEMP THERMOPLASTIC  
 POWER CONTACT MATERIAL: COPPER ALLOY  
 SIGNAL PIN MATERIAL: COPPER ALLOY

3. PLATING:

51625-XX003 Singal Pin:30u"/0.76um Au OVER 50u"/1.27um Ni ON THE COTACT AREA.  
 AND 100u"/2.54um SnPb PLATING OVER 50u"/1.27um Ni ON THE TERMINATION SECTION.  
 Power Pin:30u"/0.76um Au OVER 50u"/1.27um Ni ON THE CONTACT AREA,  
 AND 100u"/2.54um SnPb PLATING OVER 50u"/1.27um Ni ON THE TERMINATION SECTION.

51625-XX003LF Singal Pin:30u"/0.76um Au OVER 50u"/1.27um Ni ON THE CONTACT AREA.  
 AND 78u"/2.00um Sn PLATING OVER 50u"/1.27um Ni ON THE TERMINATION SECTION.  
 Power Pin:30u"/0.76um Au OVER 50u"/1.27um Ni ON THE CONTACT AREA,  
 AND 78u"/2.00um Sn PLATING OVER 50u"/1.27um Ni ON THE TERMINATION SECTION.

PART NUMBER 51625-XX003LF MEETS EUROPEAN UNION DIRECTIVE AND OTHER COUNTRY REGULATIONS AS DESCRIBED IN GS-22-008.

THE HOUSING WILL WITHSTAND EXPOSURE TO 260° PEAK TEMPERATURE FOR 10 SECONDS IN A WAVE SOLDER APPLICATION WITH A CIRCUIT BOARD.

4. MANUFACTURER'S NAME, P/N, AND DATE CODE TO APPEAR ON  
 THIS SURFACE.

5. PRODUCT SPECIFICATION GS-12-149.  
 APPLICATION SPECIFICATION BUS-20-067.

6. PACKAGED IN TRAYS.

PCB NOTES:


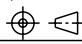
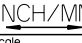
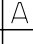
7. ALL HOLE DIAMETERS ARE FINISHED HOLE SIZE.

8. MOUNTING HOLES, WHERE APPLICABLE, ARE UNPLATED.

9.  $\varnothing .0453 \pm .0010$  [1.151 $\pm$ 0.025] DRILLED HOLES PLATED WITH  
 .0003 [0.008] MIN SnPb OVER .001 [0.03]  
 TO .003 [0.08] Cu PLATING TO ACHIEVE  
 $\varnothing .040 \pm .003$  [1.02 $\pm$ .07] HOLE.

10. "DIM XXX" TO BE DETERMINED BY THE CUSTOMER.

11. CONNECTOR KEEP-OUT ZONE.

mat'l code		SEE NOTE 2		tolerances unless otherwise specified		CUSTOMER		 www.fciconnect.com	
litr	ecm no.	dr	date	linear	$.XX \pm .01/0.X \pm 0.3$ $.XXX \pm .005/0.XX \pm 0.13$ $.XXX \pm .0020/0.XXX \pm 0.051$	projection	COPY	title	
B				angles	$0^\circ \pm 7^\circ$			<b>5P + 24S + 1M + 6P</b> <b>R/A SOLDER RECEPTACLE</b>	
		dr	T. BRUNGARD	09/30/04	INCH/MM		product family	PwrBlade	code
		enrg	M. GRAY	09/30/04			size	dwg no	213
		chr	M. GRAY	09/30/04	scale			51625-XX003	sheet
		oppd	M. GRAY	09/30/04	1:1				4 of 4
sheet index	revision sheet								

Pro/E

cage code **22526**

**PDM: Rev:B**

STATUS: **Released**

Printed: Dec 20, 2010