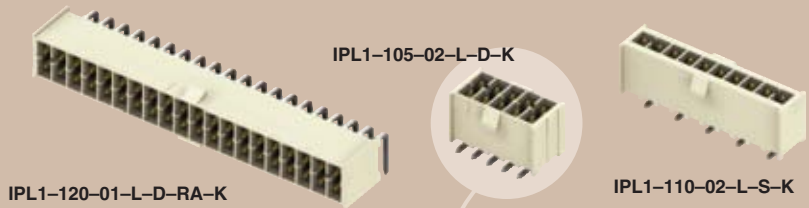




(2,54mm) .100"

IPL1 SERIES



SPECIFICATIONS

For complete specifications and recommended PCB layouts see www.samtec.com?IPL1

Insulator Material: Natural LCP
Terminal Material: Phosphor Bronze



Plating: Sn or Au over 50µm (1,27µm) Ni

Operating Temp Range: -55°C to +125°C

Voltage Rating: 675 VAC/954 VDC

RoHS Compliant: Yes

Processing: Lead-Free Solderable: Yes

-S & -D SMT Lead Coplanarity: (0,10mm) .004" max (02-05) (0,13mm) .005" max (06-10) (0,15mm) .006" max (11-25)

-DH SMT Lead Coplanarity: (0,254mm) .010" max

Mates with: MMSS, MMSS, IPD1, SCR2 (Does not mate with IPS1)

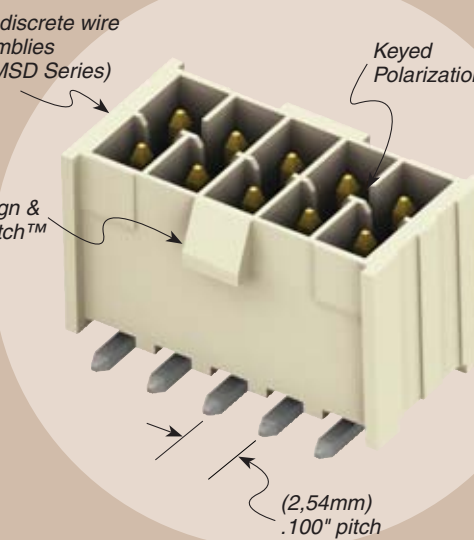
Mates with discrete wire cable assemblies (IPD1 & MMSS Series)

Keyed Polarization

Surface Mount, Right Angle and Vertical Through-hole

Align & Latch™

CURRENT RATING		
AMBIENT TEMP	SCP2/SCR2/IPL1	MMSS/IPL1
20°C	5A	7.4A
40°C	4.2A	6.5A
60°C	3.5A	5.9A
75°C	2.8A	N/A
95°C	N/A	3.8A
6 POSITIONS (2x3) 20 AWG POWERED		



(2,54mm) .100" pitch



APPLICATION SPECIFIC OPTIONS

- With or without Plug Polarization.
 - Guide post holes
- Call Samtec.



02, 05, 10, 15, 16, 20, 25 (Call Samtec for other sizes)

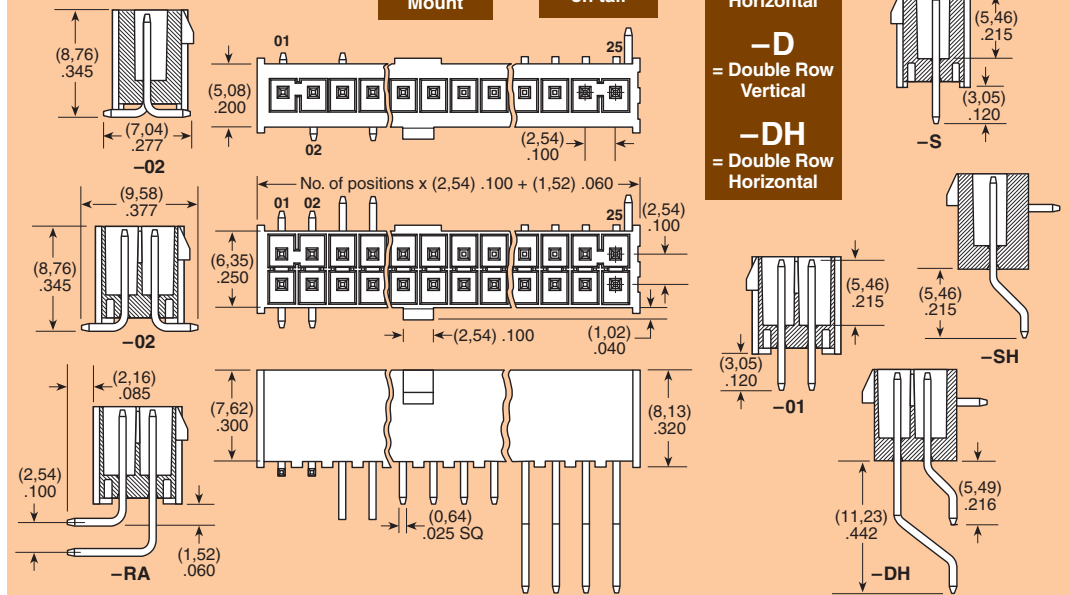
-01 = Through-hole
 -02 = Surface Mount

-L = 10µm (0,25µm) Gold on contact, Matte Tin on tail

-S = Single Row Vertical
 -SH = Single Row Horizontal
 -D = Double Row Vertical
 -DH = Double Row Horizontal

-RA = Right Angle (-01 lead style only)

-K = Keyed Polarization



Note: -DH row option should be placed on edge of board when mating to IPD1 and MMSS Series.

Note: Other Gold plating options available. Contact Samtec.

Note: Some sizes, styles and options are non-standard, non-returnable.

Due to technical progress, all designs, specifications and components are subject to change without notice.

WWW.SAMTEC.COM