

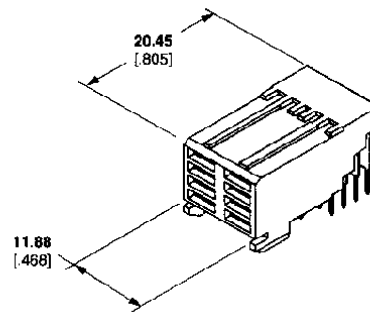
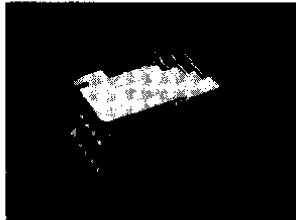


## Z-PACK 2mm FutureBus+ Connectors (Continued)

IEC61076-4-0X(48B)

### 4 Row — Power Modules, Right Angle Receptacle Assemblies (Free-Board Connector), 2mm x 2mm Circuit Grid

#### Receptacle Assemblies with Solder Leads and Compliant Press-Fit Leads (8 Positions)



#### Material and Finish:

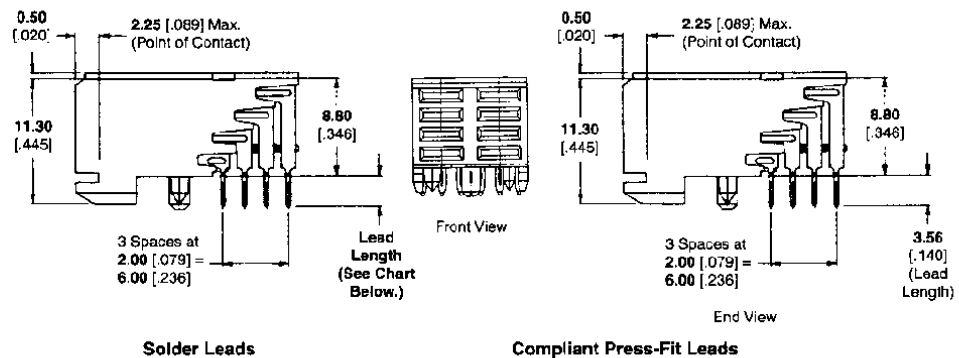
**Housing** — Liquid crystal polymer  
**Receptacle Contacts** — Phosphor bronze, duplex plated gold flash over 0.0008 min. palladium-nickel or mating surface, 0.0038 min. tin-lead on solder lead, with entire contact underplated 0.0013 nickel

#### Related Product Data

**Material Specifications** — page 293

**Compliant Press-Fit Contact Specifications** — page 293

**Application Tooling** — page 360



#### Technical Documents

##### Product Specification

108-1441

##### Application Specification

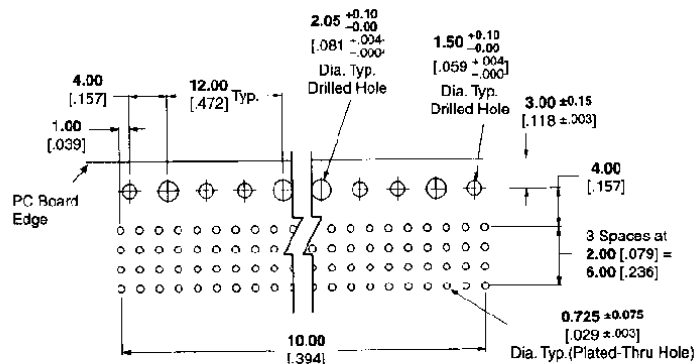
114-1075

##### Instruction Sheets

408-6927, 408-9910, 408-9979

##### Electrical Performance Report

65476



Recommended PC Board Hole Layout per IPC-D-300, Type II, Class C (Component Side)

#### Receptacle Assembly

No. of Positions	Part Numbers			Seating Tooling
	with Solder Leads		with Press-Fit Leads	
	2.73 [.107] Lead Length	3.53 [.139] Lead Length		
8	536607-1	536613-1	536614-1	Industry Standard Flat Rock