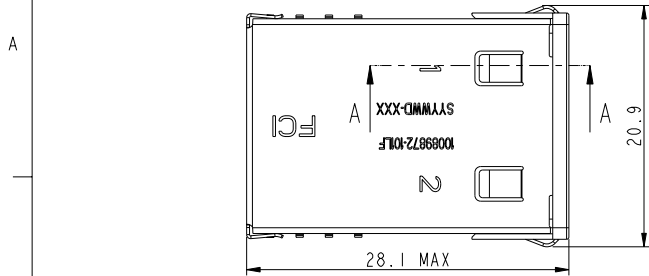
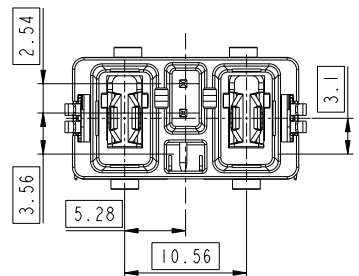
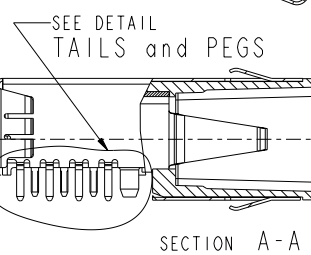
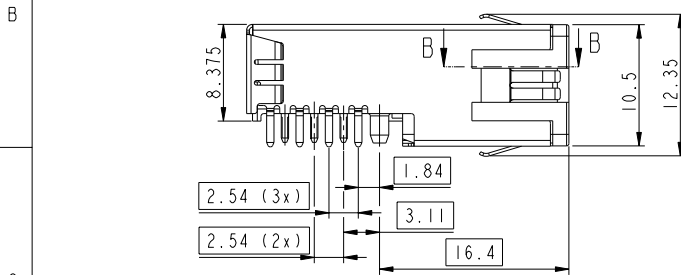
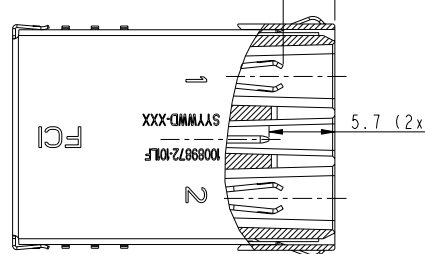


PRODUCT NUMBER
10089872

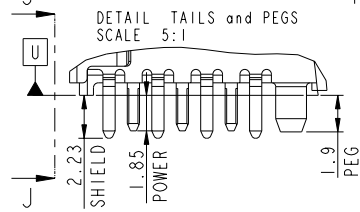
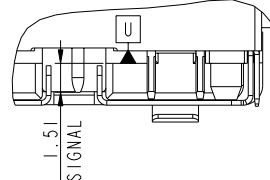


SECTION B-B

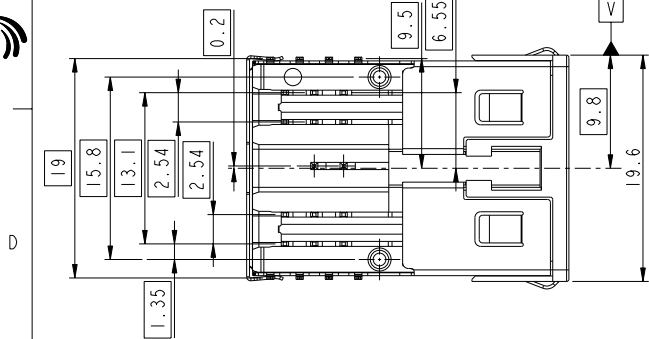


SECTION A-A

VIEW : J-J



DETAIL TAILS and PEGS
SCALE 5:1



rev	ech no	dr	date
A	H08-0162	PEP	081218
B	H09-0039	PEP	090316
C	H09-0094	JDB	090828
D	H09-0099	JDB	090917
E	H10-0028	JDB	100521

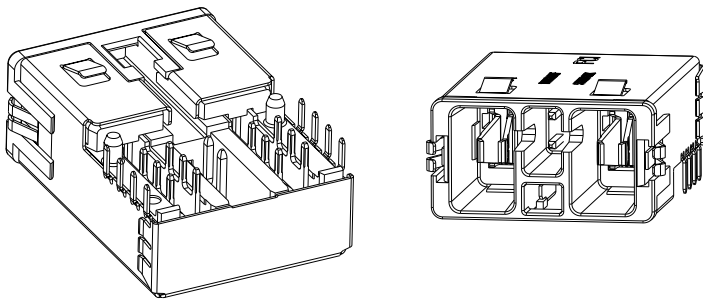
www.fci.com		surface ISO 1302	tolerance std ISO 406 ISO 1101	projection A3	mm
TOLERANCES UNLESS OTHERWISE SPECIFIED		ANGULAR	LINEAR	size	Scale
		0° ±'	0.x ±	A3	3:1
			0.xxx ±	ECN	H10-0028
Dr J.DE BRUIJN 2008-08-05		Product family		Spec ref	
Eng J.DE BRUIJN 2008-08-05		BOARD CONNECTOR ASS'Y		10089872	
Chr P.POORTER 2008-12-18		POWER PROFILE PLUS, BOARD CONN.		Rev. E	
Appr J.DE BRUIJN 2008-12-18		catalog no		CUSTOMER COPY sheet 1 of 4	

Copyright FCI. FCI

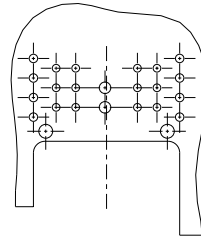
REV. 0 - 2008-04-17

PDM: Rev:E STATUS:Released Printed: Dec 21, 2010

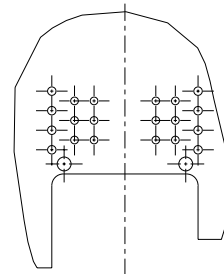
P/N 10089872-101LF,
PIP, Shielded, Enable Function (Signal Contacts Included).



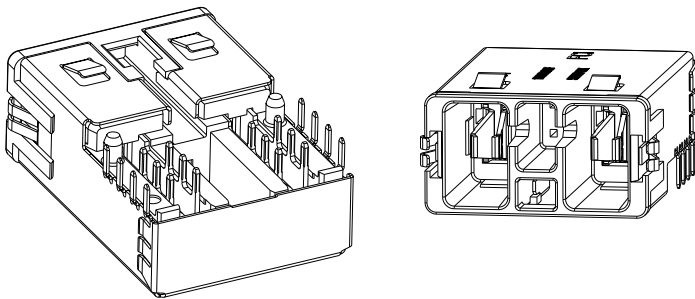
RECOMMENDED PCB LAYOUT:
PIP, Shielded, Enable Function (Signal Circuit Included).




RECOMMENDED PCB LAYOUT:
PIP, Shielded, No Enable Function (Signal Circuit Removed).



P/N 10089872-102LF,
PIP, Shielded, Enable Function (Signal Contacts Removed).

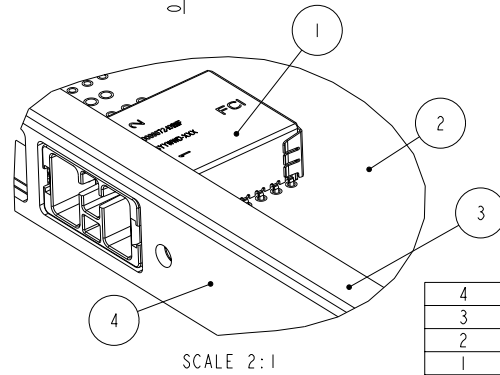
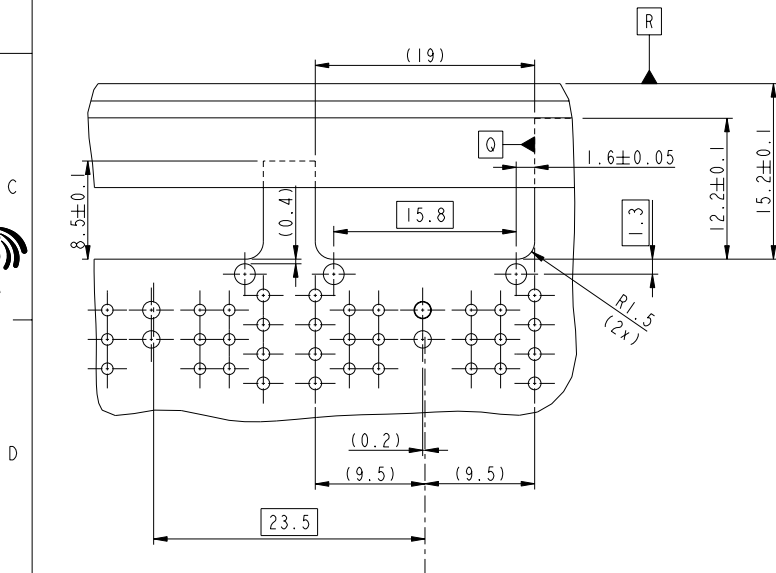
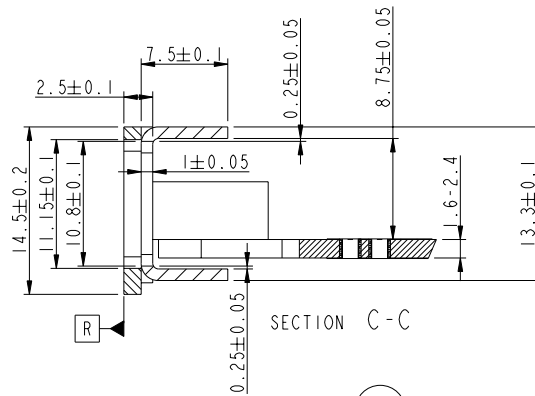
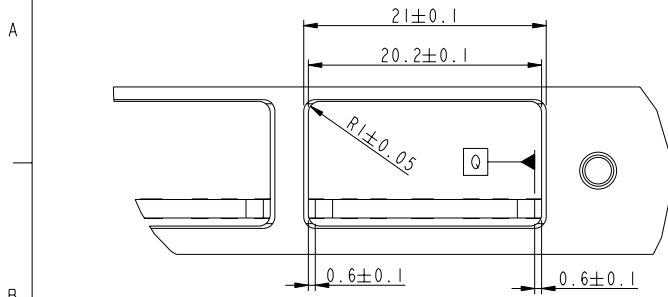


www.fci.com		surface ISO 1302	tolerance std ISO 406 ISO 1101	projection mm	size A3	Scale 3:1
TOLERANCES UNLESS OTHERWISE SPECIFIED		ANGULAR	LINEAR	0.X	±	ECN H10-0028
Dr	J.DE BRUIJN	2008-08-05	0° ±'	0.XX	±	Spec ref
Eng	J.DE BRUIJN	2008-08-05	0° ±'	0.XXX	±	
Chr	P.POORTER	2008-12-18				
Appr	J.DE BRUIJN	2008-12-18	Product family			
 BOARD CONNECTOR ASS'Y POWER PROFILE PLUS, BOARD CONN.				deg no 10089872	Rev. E	
catalog no				CUSTOMER COPY	sheet 2 of 4	

REV 0 - 2008-04-17

Copyright FCI.
FCI

PRODUCT NUMBER
APPLICATION FOR 10089872-101LF



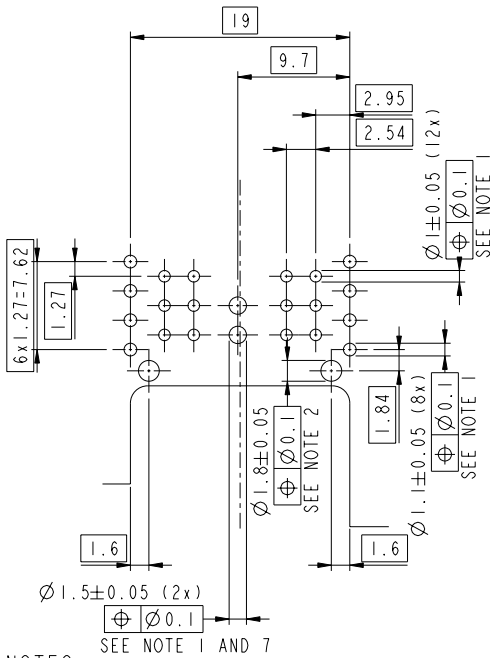
4	OUTER FRONT PANEL
3	INNER FRONT PANEL
2	PCB
1	BOARD CONNECTOR
NO	PART NAME

www.fci.com		surface ISO 1302	tolerance std ISO 406 ISO 1101	projection mm	size A3	Scale 3:1
TOLERANCES UNLESS OTHERWISE SPECIFIED		ANGULAR	LINEAR	0.x	±	
Dr	J.DE BRUIJN 2008-08-05	0°	±	0.xx	±	
Eng	J.DE BRUIJN 2008-08-05	0°	±	0.xxx	±	
Chr	P.POORTER 2008-12-18	0°	±			ECN H10-0028
Appr	J.DE BRUIJN 2008-12-18	Product family		Spec ref		
PwrProfile+ Board Connector Assembly Shielded PIP Version catalog no				10089872 Rev. E		CUSTOMER COPY sheet 3 of 4

Copyright FCI. FCI

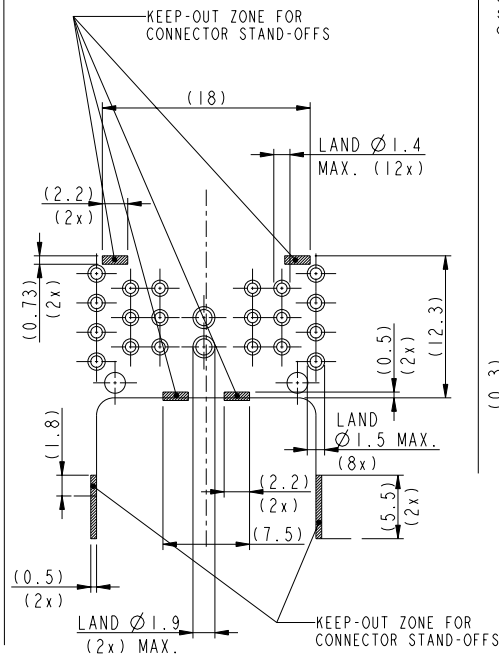
PCB LAYOUT: HOLE PATTERN

PCB thickness 1.6 - 2.4 mm.



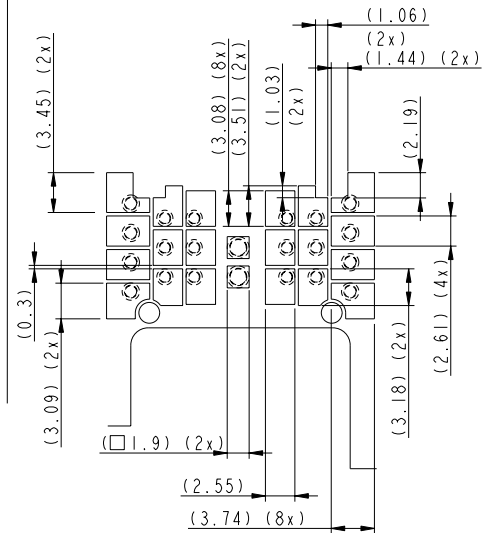
PCB LAYOUT: PLATING

Plating thickness must be constant over the connector area.



PCB LAYOUT : SOLDER PASTE

Assumed stencil thickness 0.10 mm (above copper tracks). The solder content in the paste should be sufficient, typically 50% volume percentage. The solder fail, PCB, stencil and application process determine the solder result. The squeegee process (angle, speed, pressure, material and number of cycles) must be optimized, so that sufficient solder is available.



NOTES:

- HOLE DIAMETER INCLUDES Cu PLATING
- UNPLATED HOLE
- PRODUCT SPECIFICATION: GS-12-594
- PERFORMANCE BASED CONTACT FINISH ACCORDING TO GS-12-594, SECTION 4.3
- FLAMMABILITY CLASS: UL 94-V0
- RoHS COMPLIANT.
- ONLY WHEN USING PARTNUMBER 10089872-101LF

www.fci.com			surface ISO 1302	tolerance std ISO 406 ISO 1101	projection mm	mm	
			TOLERANCES UNLESS OTHERWISE SPECIFIED		Scale 3:1		
Dr	J.DE BRUIJN	2008-08-05	ANGULAR	0.x	±	size	A3
Eng	J.DE BRUIJN	2008-08-05	LINEAR	0.xx	±	ECN	H10-0028
Chr	P.POORTER	2008-12-18	0° ±	0.xxx	±	Product family	Spec ref
Appr	J.DE BRUIJN	2008-12-18	BOARD CONNECTOR ASS'Y		10089872		Rev. E
POWER PROFILE PLUS, BOARD CONN.			CUSTOMER COPY		sheet 4 of 4		

Copyright FCI. FCI