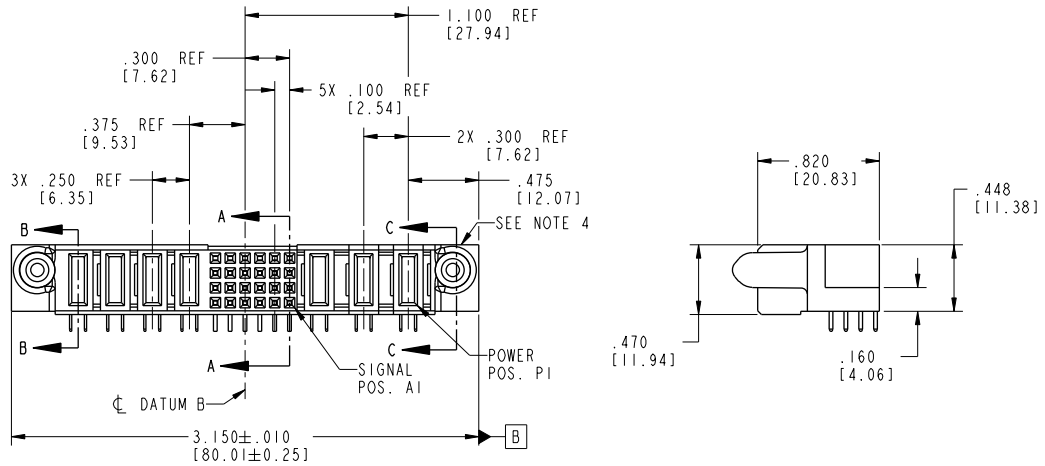
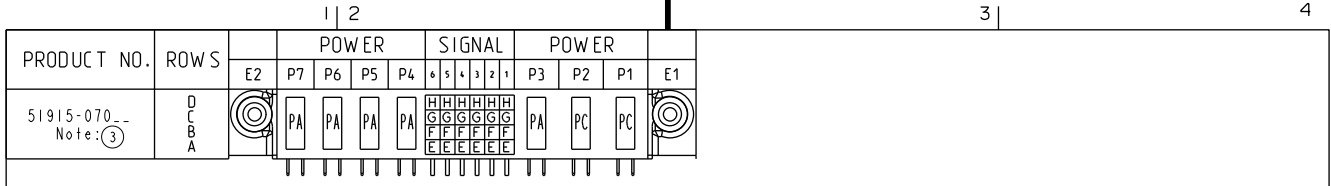


Tous droits strictement réservés. Reproduction ou communication à des tiers interdite sans autorisation écrite du propriétaire. Propriété de c FCI. Droits de reproduction FCI.



All rights strictly reserved. Reproduction or issue to third parties in any form without written authority from the proprietor. Property of FCI. Copyright FCI.



CODE	DIM "M" MATING LENGTH	CONTACT TYPE
E	N/A [N/A]	SIGNAL
F	N/A [N/A]	SIGNAL
G	N/A [N/A]	SIGNAL
H	N/A [N/A]	SIGNAL
PA	.042 [1.07]	POWER
PC	.092 [2.34]	POWER

mat'l code				tolerances unless otherwise specified		CUSTOMER	
lfr	ecr no.	dr	date	linear	projection	FCI www.fciconnect.com	
A	DG05-0098	SLUO	4/27/05	.XX±.01/0.XX±0.3	INCH/MM	title 3ACP + 24S + 4P	
B	DG06-0152	JMG	04/06/06	.XXX±.005/0.XX±0.13	scale 1:1	R/A SOLDER RECEPTACLE	
				angles	0 ± 2°	product family VICTOR LIN code 213	
				dr	SLUO 4/27/05	size dwg no A 51915-070 sheet 1 of 4	
				enr	***		
				chr	VICTOR LIN 4/27/05		
				appd	JOSEPH HSIA 4/27/05		
sheet index	revision sheet	B 1	B 2	B 3	B 4		

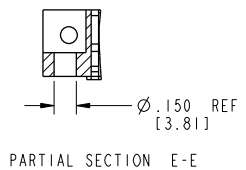
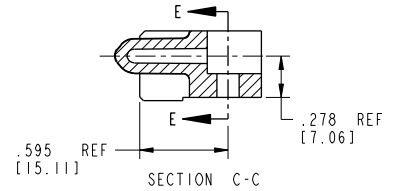
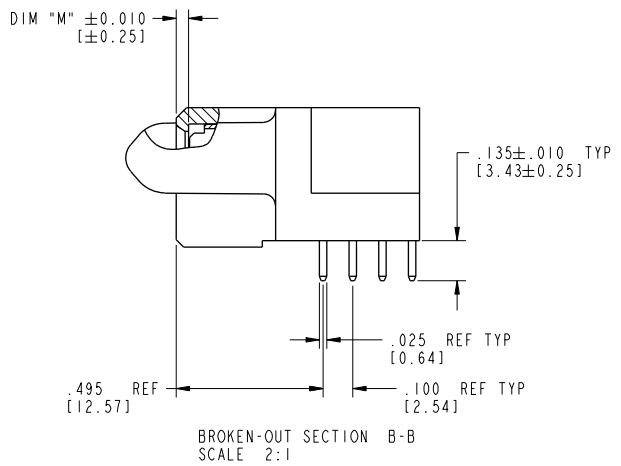
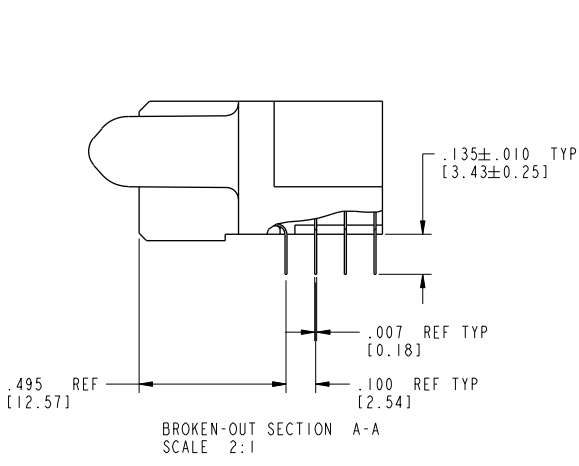
CUSTOMER		FCI	
COPY		www.fciconnect.com	
INCH/MM		title 3ACP + 24S + 4P	
scale 1:1		R/A SOLDER RECEPTACLE	
		product family VICTOR LIN code 213	
		size dwg no A 51915-070 sheet 1 of 4	

Tous droits strictement réservés. Reproduction ou communication à des tiers interdite sous quelque forme que ce soit sans autorisation écrite du propriétaire. Propriété de c FCI. Droits de reproduction FCI.



All rights strictly reserved. Reproduction or issue to third parties in any form whatever is not permitted without written authority from the proprietor. Property of FCI. Copyright FCI.

PRODUCT NUMBER  
51915-070--  
Note: (3)



mat'l code		SEE NOTE 2		tolerances unless otherwise specified		CUSTOMER		FCI		www.fciconnect.com	
lfr	ecr no.	dr	date	linear	XX±.01/0.XX±0.3	projection	COPY	title		3ACP + 24S + 4P	
B					XXX±.005/0.XX±0.13			R/A SOLDER RECEPTACLE		code	
				angles	XXX±.002/0.XX±0.051			product family		VICTOR LIN	
				dr	SLUO 4/27/05			size		213	
				enr	***			dwg no		sheet	
				chr	VICTOR LIN 4/27/05			A 51915-070		2 of 4	
				appd	JOSEPH HSIA 4/27/05			scale		1:1	
sheet index	revision sheet										

Pro/E

PDM: Rev: B

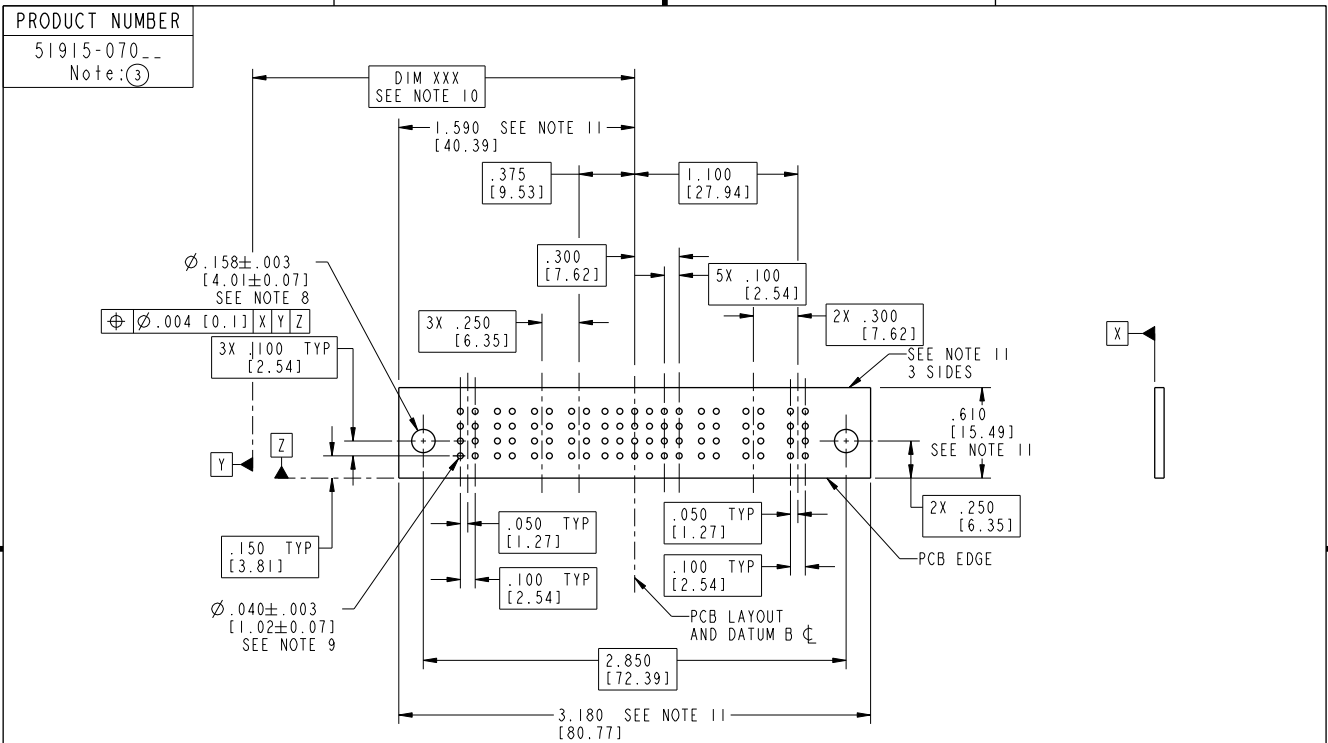
STATUS: Released

Printed: Dec 20, 2010

Tous droits strictement réservés. Reproduction ou communication à des tiers interdite sous quelque forme que ce soit sans autorisation écrite du propriétaire. Propriété de c FCI. Droits de reproduction FCI.



All rights strictly reserved. Reproduction or issue to third parties in any form whatever is not permitted without written authority from the proprietor. Property of FCI. Copyright FCI.



mat'ri code SEE NOTE 2				tolerances unless otherwise specified		CUSTOMER		www.fciconnect.com	
lfr	ecr no.	dr	date	linear	projection	COPY		title	
B				$.XX \pm .01/0.X \pm 0.3$ $.XXX \pm .005/0.XX \pm 0.13$ $.XXXX \pm .002/0.XXX \pm 0.051$		3ACP + 24S + 4P		R/A SOLDER RECEPTACLE	
				angles	$0 \pm 2^\circ$	INCH/MM		product family VICTOR LIN	
				dr	SLUO 4/27/05	scale 1:1		code 213	
				enr	***			size dwg no	
				chr	VICTOR LIN 4/27/05			A 51915-070	
				appd	JOSEPH HSIA 4/27/05			sheet 3 of 4	
sheet index	revision sheet								

1 | 2

Pro/E

PDM: Rev: B

STATUS: Released

Printed: Dec 20, 2010

Tous droits strictement réservés. Reproduction ou communication à des tiers interdite sans aucune forme que ce soit sans autorisation écrite du propriétaire. Propriété de c FCI. Droits de reproduction FCI.



All rights strictly reserved. Reproduction or issue to third parties in any form whatever is not permitted without written authority from the proprietor. Property of FCI. Copyright FCI.

PRODUCT NUMBER  
51915-070--  
Note: (3)

NOTES:

1. DIMENSIONS AND TOLERANCES ARE IN ACCORDANCE WITH ASME Y14.5M, 1994 UNLESS OTHERWISE SPECIFIED.

CONNECTOR NOTES:

(2) HOUSING MATERIAL: UL 94 V-0 GLASS FILLED  
HIGH-TEMP THERMOPLASTIC  
POWER CONTACT MATERIAL: COPPER ALLOY  
SIGNAL PIN MATERIAL: COPPER ALLOY

3. 51915-070;51915-070LF;51915-070GLF PLATING SPEC. SEE PRINT:10064183

(4) MANUFACTURER'S NAME, P/N, AND DATE CODE TO APPEAR ON THIS SURFACE.

5. PRODUCT SPECIFICATION GS-12-149.  
APPLICATION SPECIFICATION BUS-20-067.

6. PACKAGED IN TRAYS.

PCB NOTES:

7. ALL HOLE DIAMETERS ARE FINISHED HOLE SIZE.

(8) MOUNTING HOLES, WHERE APPLICABLE, ARE UNPLATED.

(9)  $\varnothing .0453 \pm .0010$  [1.151  $\pm$  0.025] DRILLED HOLES PLATED WITH .0003 [0.008] MIN SnPb OVER .001 [0.03] TO .003 [0.08] Cu PLATING TO ACHIEVE  $\varnothing .040 \pm .003$  [1.02  $\pm$  .07] HOLE.

(10) "DIM XXX" TO BE DETERMINED BY THE CUSTOMER.

(11) CONNECTOR KEEP-OUT ZONE.

mat'l code				SEE NOTE 2	tolerances unless otherwise specified		CUSTOMER	www.fciconnect.com	
lfr	ecr no.	dr	date	linear	.XX±.01/0.X±0.3	projection	COPY		
B					.XXX±.005/0.XX±0.13		title 3ACP + 24S + 4P		
				angles	.XXX±.002/0.XX±0.051		R/A SOLDER RECEPTACLE		
				dr	0°±2°	INCH/MM	product family VICTOR LIN		code
				enr	SLU0 4/27/05	scale	size dwg no		213
				chr	*** ***	1:1	A 51915-070		sheet
				appd	VICTOR LIN 4/27/05				4 of 4
					JOSEPH HSIA 4/27/05				
sheet index	revision sheet								

1 | 2

Pro/E

PDM: Rev: B

STATUS: Released

Printed: Dec 20, 2010