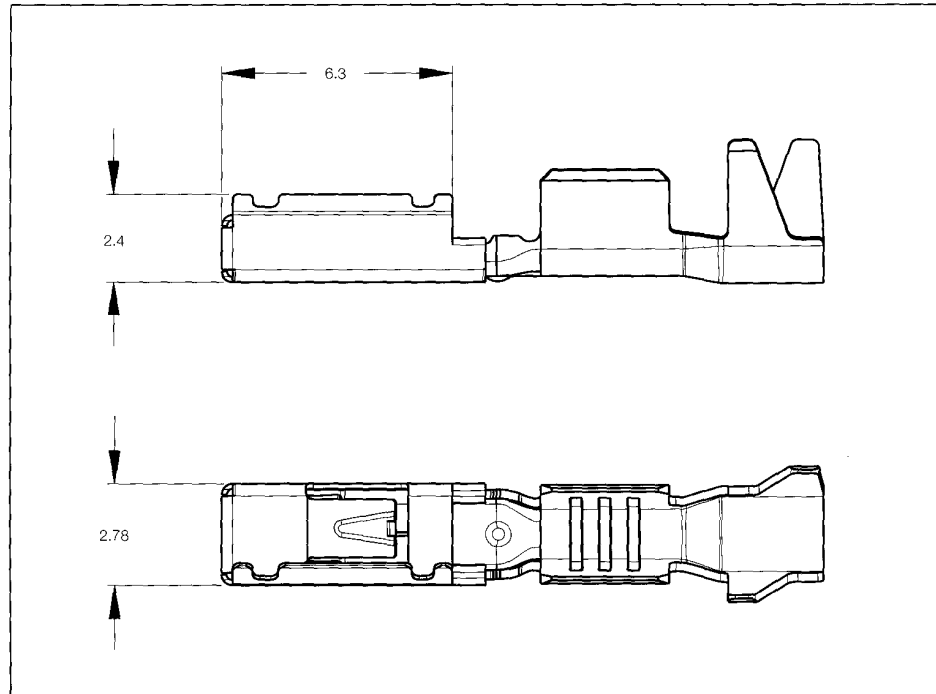


Receptacle Contacts

Receptacle
1.5 x 0.63 mm,
Mates with MQS 1.5



Standard Receptacle Contacts

Wire Size Range (mm ²)	Insulation Diameter		Material and Finish	Part Numbers						
	FLK (mm)	FLR (mm)		Strip Form	Package Quantity	Loose-Piece	Package Quantity	Applicator		Hand Tool 539635-1 with Die Set
								Standard	Fine Adjust	
0.35-0.50	~	1.1-1.6	tin plated	1355556-1	11,000	1355557-1	500	-	1528287	539692-2
0.75-1.50	~	1.7-2.4	tin plated	1355553-1	8,500	1355554-1	500	1426196	1528207	

Single Wire Sealing System

Wire Size Range (mm ²)	Insulation Diameter		Material and Finish	Part Numbers						
	FLK (mm)	FLR (mm)		Strip Form	Package Quantity	Loose-Piece	Package Quantity	Applicator		Hand Tool 539635-1 with Die Set
								Standard	Fine Adjust	
0.35-0.50	~	1.1-1.6	tin plated	1241603-1	8,500	1241604-1	500	-	1528323	539693-2
0.75-1.50	~	1.7-2.4	tin plated	1241605-1	8,500	1241606-1	500	1426403	1528227	

Clean Body

Wire Size Range (mm ²)	Insulation Diameter		Material and Finish	Part Numbers						
	FLK (mm)	FLR (mm)		Strip Form	Package Quantity	Loose-Piece	Package Quantity	Applicator		Hand Tool 539635-1 with Die Set
								Standard	Fine Adjust	
0.35-0.50	~	1.1-1.6	tin plated	1452158-1	12,000	1452157-1	500	-	1528287	539692-2
0.75-1.50	~	1.7-2.4	tin plated	1241608-1	8,500	1241609-1	500	1426196	1528207	