





Product Facts

- **Recognized under the Component Program of Underwriters Laboratories Inc.**  File No. E28476
- **Certified by Canadian Standards Association.**  File No. LR7189
- **Tested to VDE requirements outlined in VDE Test Report No. 4751-1431-1029/A11** 
- **Produced under a Quality Management System certified to ISO 9001** 

A copy of the certificate is available upon request.
- **Designed to meet IEC (440 V) requirements**
- **True metric dimensions—contacts on 5 [.197] centers (drawer connectors and special in-line connectors and pin headers have contacts on 5.08 [.200] centers)**
- **Panel mount versions require no hardware for mounting**
- **Polarized housings**
- **4- thru 36-position square grid configurations can be mounted to and removed from either front or rear of panel**
- **Housings made of UL rated 94V-0 thermoplastic**
- **Strain reliefs available for 6- thru 36-position square grid, panel mount housings**
- **Drawer connectors available in 4- thru 30-position sizes, standard and low profile versions**

AMP Metrimate connectors are true metric specification connectors designed for panel, free-hanging or pc board application. These connectors offer improvements in durability, density and electrical performance over competitive soft shell pin and socket connectors. They are ideally suited for equipment manufacturers engaged in both national and international markets. This versatile pin and socket connector line is designed to meet the general requirements of various testing and approval agencies, including UL, CSA, VDE and IEC.

Presently, connectors are available in various design configurations and the most popular sizes to satisfy a variety of application requirements. Such designs include: square grid connectors for free-hanging and/or panel mounting; free-hanging in-line connectors; square grid and in-line pin and socket headers for pc board mounting; and drawer connectors for rack and panel mounting with radial float.

For high electrical performance and maximum economy, all connectors employ housings made of UL rated 94V-0 thermoplastic.

Table of Contents

| | |
|---|-------|
| Performance Characteristics..... | 3-5 |
| Metrimate Connector Applications..... | 6-8 |
| Contacts: | |
| Type III+ (Crimp)..... | 9 |
| Type III+ (Grounding Pins)..... | 10 |
| Type III+ (Solder)..... | 10-11 |
| High Current Upgrade, Type II and III+..... | 12 |
| Subminiature Coaxial..... | 13-14 |
| Size 8, Power..... | 15 |
| High Current Upgrade, Size 8, Power..... | 16 |
| .125 POWERBAND Contacts..... | 17 |
| Drawer Connectors..... | 18-26 |
| Low Profile Drawer Connectors..... | 27-30 |
| Square Grid Connectors (Free-Hanging and Panel Mount)..... | 31-33 |
| Strain Relief Kits for Square Grid Connectors..... | 31 |
| Square Grid PC Board Mount Headers..... | 34-38 |
| In-Line Connectors (Free-Hanging), 5 [.197] Centerline..... | 39-40 |
| In-Line PC Board Mount Headers, 5 [.197] Centerline..... | 41-43 |
| Keying Plugs..... | 44 |
| In-Line Connectors, 5.08 [.200] Centerline..... | 44-47 |
| In-Line Coaxial Socket Headers..... | 48-51 |
| Rectangular Connectors..... | 52-53 |
| Commoning and Power Distribution Connectors..... | 54-55 |
| Application Tooling..... | 56-57 |
| Technical Documents..... | 58 |
| Part Number Index..... | 59 |

Need more information?

Call Technical Support:
1-800-522-6752

The Center is staffed with specialists well versed in Tyco Electronics products. They can provide you with:

- Technical Support
- Catalogs
- Technical Documents
- Product Samples
- Tyco Electronics Authorized Distributor Locations

Dimensioning:

Dimensions are in millimeters and inches. Values in brackets are equivalent U.S. Customary Units.

Metric symbols used are:
C (Celsius)
mm² (square millimeter)

Note: Dimensions in this catalog are for reference purposes only. Customer drawings are available on request.

Specifications subject to change. Consult Tyco Electronics for latest design specifications.

©1978, 1979, 1983, 1985, 1989, 1994, 1998 and 2003 by Tyco Electronics Corporation. All Rights Reserved.

ACTION PIN, AMP, AMPOMATOR, AMP-O-LECTRIC, AMP-O-MATIC, CERTI-CRIMP, COAXICON, LGH, POWERBAND, PRO-CRIMPER and TYCO are trademarks.

Performance Characteristics

Electrical Characteristics

Voltage Rating: UL (600 VAC and VDC), CSA (600 VAC and VDC), VDE (380 VAC, 450 VDC), IEC (440 V)
 Dielectric Strength: 2000 Volts, RMS (at sea level)
 Current Rating: See contact current carrying capability data below.
 Insulation Resistance: 5000 Megohms (Min.)
 Termination Resistance: Dependent upon individual contact type. Refer to applicable Product Specification. (Technical Documents, page 58).

Environmental Characteristics

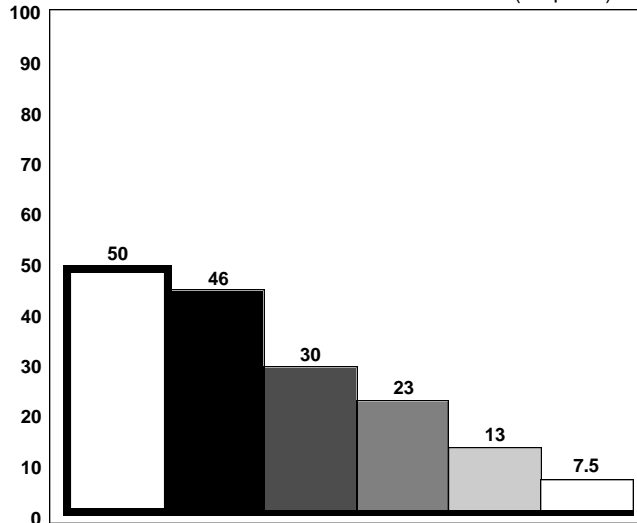
Temperature Range: -55°C to +130°C [-67°F to +266°F]

Mechanical Characteristics

Air Gap: Exceeds 3.2 [.125]
 Creep Distance: Exceeds 4 [.157]
 Mounting Distance (Live Contact-to-Panel): Exceeds 6 [.237]
 Acceptable Panel Thicknesses: 0.8-2.3 [.030-.090]

Contact Current Carrying Capability

CONTACT CURRENT GUIDE Maximum Current (Amperes)*



| | Pin Diameter |
|---|--------------|
| Size 8 | 3.58 [.141] |
| .125 POWERBAND Contact | 3.06 [.125] |
| High Current Upgrade Size 8 in a fully-loaded 8-Pos. Drawer Connector (Single contact — 55 Amperes) | 3.40 [.130] |
| High Current Upgrade Louvertac, Type III+ | 1.52 [.062] |
| Type III+ | 1.52 [.062] |
| Type III+ in a fully-loaded header | 0.98 [.040] |

*Based on single contact free air conditions.
 1. .125 POWERBAND – Precision formed pins & sockets.
 2. High Current Louvertac – Screw machined pin & socket contacts.
 Both versions feature the AMP Louvertac springs for superior current carrying, heat transfer and durability performance. See catalog 65141.

The total current capacity of each contact in a connector is dependent upon the heat rise resulting from the combination of electrical loads on all the contacts in the connector arrangement and the maximum ambient temperature in which the connector will be operating. Caution must be taken to assure that these combinations of conditions do not cause the internal temperature of the connector to exceed the maximum operating temperature of the housing material. There are several variables which must be considered when determining this maximum current carrying capability for your application.

These variables are:

- a. Wire Size—Larger wire will carry more current since it has less resistance to current flow; therefore, it generates less heat. The wire also conducts heat away from the connector.
- b. Connector Size—In general, the more circuits in a connector, the less current per contact can be carried.
- c. Ambient Temperature—The higher the ambient temperature, the less current can be carried.

Current Rating Verification

Performance Characteristics (Continued)

Can a contact rated at 10 amperes carry 10 amperes?

Maybe yes, but probably not. The reason lies in the test conditions used to rate the contact. If these conditions do not adequately reflect the application conditions, the actual allowable current levels may be lower than specified levels. For example, many manufacturers, including Tyco Electronics, test a single contact in air. This gives an accurate measure of the basic current-carrying capacity of the contact. Use the contact alone in air and it can certainly carry 10 amperes. Use it in a multi-position connector surrounded by other current-carrying contacts or in high ambient temperatures, and the contact should carry less current.

Similarly, as the contact ages and stress relaxation, environmental cycling, and other degradation factors take their toll, the contact's current-carrying capacity decreases. A prudent design must set current levels for such end-of-design-life (EODL) conditions.

Practical current-carrying capacity is not an absolute, but an application-dependent condition.

New Method Simplifies Ratings

To help the designer set the appropriate current level, Tyco Electronics has developed a method of specifying current-carrying capacity. This method takes into account the various application factors that influence current rating.

The method can be summarized as follows:

- The contact is aged to EODL conditions by durability cycling, thermal cycling, and environmental exposure.
- The contact's resistance stability is verified.
- The current necessary to produce the specified temperature rise is measured. This T-rise is usually 30°C.
- A rating factor is determined to allow derating of multiple contacts in the same housing and for different conductor sizes.

Temperature

One other factor influencing current levels is the maximum operating temperature, for example, 105°C. If the application has a high ambient temperature (over 75°C) the contact's T-rise is limited by the maximum operating temperature. For example, an application temperature of 90°C limits the contact T-rise to 15°C. Since current produces heat (the I²R law), the current must be lowered to limit the T-rise.

A contact's T-rise depends not only on its I²R Joule heating, but also on its ability to dissipate the heat. Consider a contact in a multi-contact housing. Joule heating in multiple contacts will raise the local ambient temperature. Since the contact will not be able to dissipate its own heat as well by convection, the maximum T-rise will be realized at a lower current level. Consequently, the allowable current level must be lower to maintain an acceptable T-rise.

For a given connector, the current level will be set by the loading density. A connector containing 50% current-carrying contacts will permit higher currents (per contact) than a connector will at 75% loading. The loading percentage assumes an even distribution of contacts within the housing. If all 10 contacts are grouped together in one section of a 20-position connector, the loading density may approach 100%.

The Importance of EODL

As stated, T-rise in a contact depends on both resistance and current. As it ages, a contact's resistance will increase. The contact designer will specify a maximum resistance for the contact, this level is the end-of-design-life resistance. Before the contact is tested for current, Tyco Electronics subjects it to a sequence of tests that exercise many major failure mechanisms and thereby simulates EODL conditions. Conditioning includes mating cycling, industrial mixed-flowing gases, humidity and temperature cycling, and vibration to sequentially introduce wear, corrosion, stress relaxation, and mechanical disturbance.

Presentation

The presentation of current-carrying capacity in Tyco Electronics product specifications includes two parts:

- First, a base curve showing current levels versus T-rise for a single circuit and the largest wire size. This represents the maximum current capacity of

Performance Characteristics (Continued)

the contact. The curve is usually flat up to 75°C ambient and then drops off. Up to 75°C, the 30°C T-rise limits the amount of current, and above 75°C the current must be reduced to keep the combination of ambient temperature and T-rise from exceeding the maximum operating temperature of 105°C.

- Next are rating factors, a table of multipliers to account for connector loading and for smaller wire sizes. The designer first determines the base current for the ambient conditions of the application, then multiplies this base current by the rating factors to find the current level for the application's loading factor and wire size.

Practical Values

The current-rating method gives designers practical values applicable to their applications. While the specified current levels for a contact may be lower than for other testing methods, they are more realistic and simplify the system design process.

"Spec-manship" is replaced by a realistic assessment of the current-carrying capacity of a contact under varying conditions of temperature, connector loading, and wire size.

An Example:

To demonstrate the method of specifying current, consider the following application conditions, an ambient temperature of 65°C, a 50% loading of contacts in the housing, and 20 AWG [0.6 mm²] wire.

- From Figure 1, the base current rating is 14 ampere with 18 AWG [0.8 mm²] wire.
- Figure 2, the rating factor for 50% loading and 20 AWG [0.6 mm²] wire is 0.68.
- The specific rating for this application is the product of the base rating and the rating factor:
14 x 0.68 = 9.5 ampere
- Each of the contacts can carry 9.5 ampere.
- However, if the ambient temperature is 80°C the allowable T-rise becomes 25°C. The base current must be lowered to 12.8 ampere so that the 105°C maximum operating temperature is not exceeded. The current rating then becomes:
12.8 x 0.68 = 8.7 ampere.

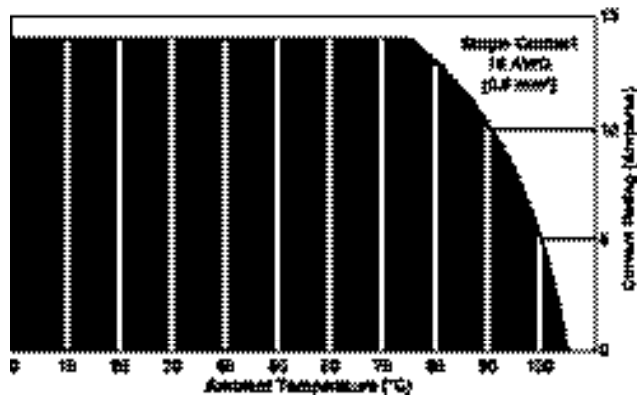


Figure 1

Graph shows the relationship between base current, ambient temperature, and contact T-rise.

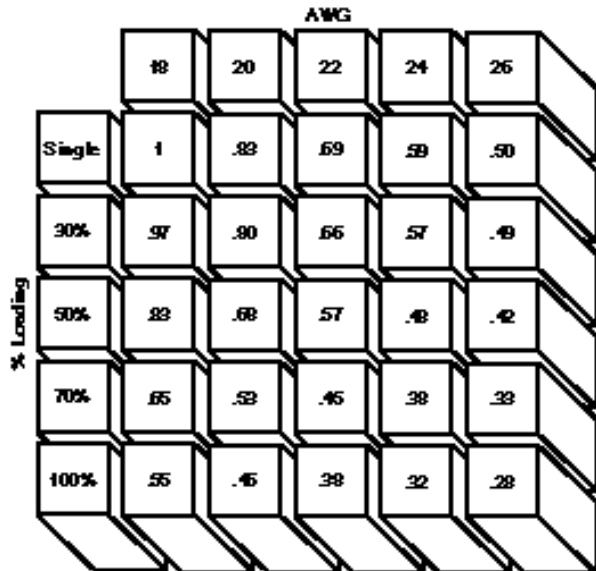


Figure 2

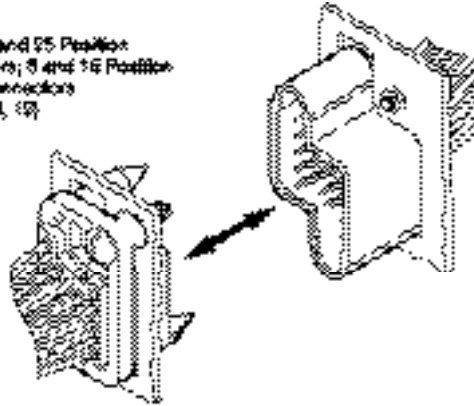
Rating factors allow the base current to be adjusted for various connector loading and wire sizes.

Metrimate Connector Applications

Drawer Connectors

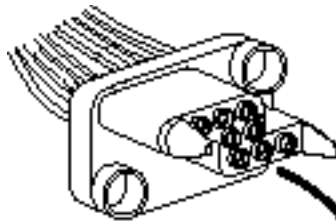
Standard Drawer Connectors, Rack and Panel Applications

Plug
4, 12, 18 and 25 Position
Connectors; 8 and 15 Position
Power Connectors
(Pages 18, 19)

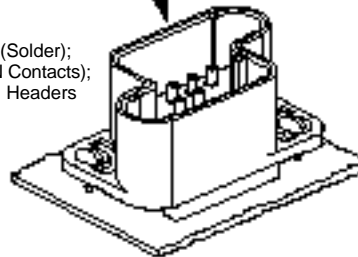


Receptacle
4, 12, 18 and 25 Position
Connectors; 8 and 15 Position
Power Connectors
(Pages 18, 19)

Standard Drawer Connectors, Wire-To-Board

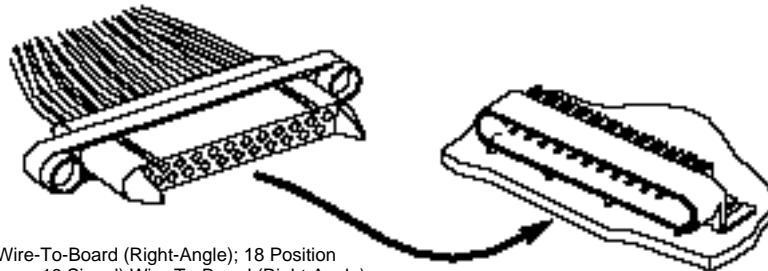


Plug
12, 19 and 25 Position Pin Headers (Solder);
25 Position Pin Header (ACTION PIN Contacts);
8 and 15 Position Power Drawer Pin Headers
(Pages 18, 19)



Receptacle
25 Position Socket
Headers (Solder); 8 and
15 Position Power Drawer
Socket Headers
(Pages 18, 19)

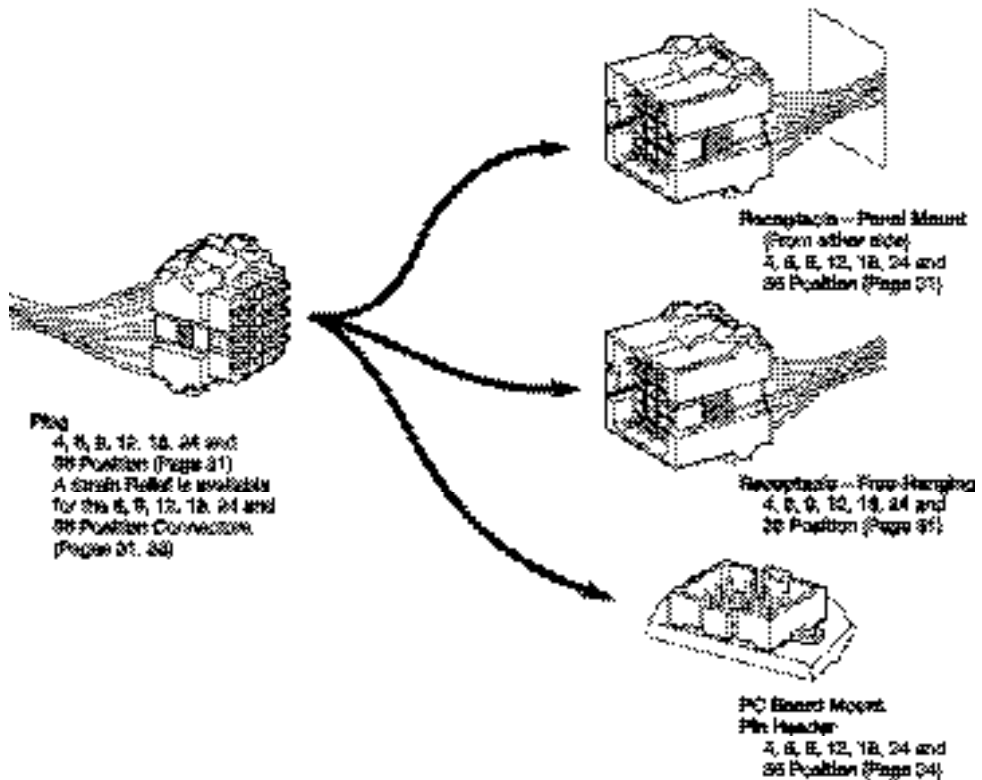
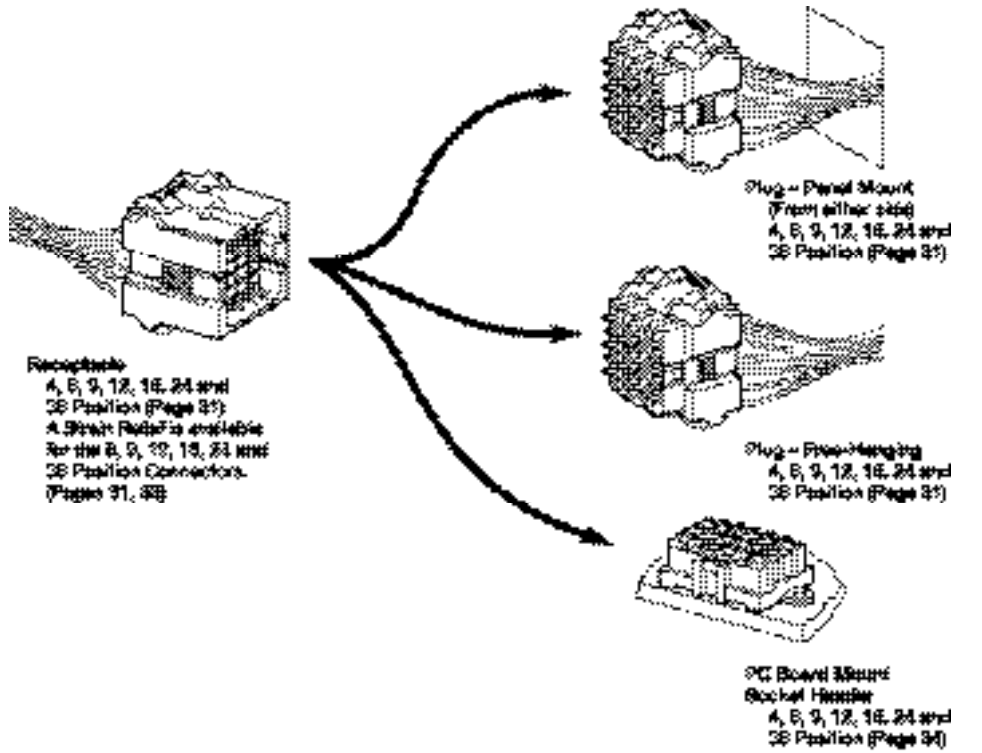
Low Profile Drawer Connectors, Wire-To-Board, and Wire-To-Wire



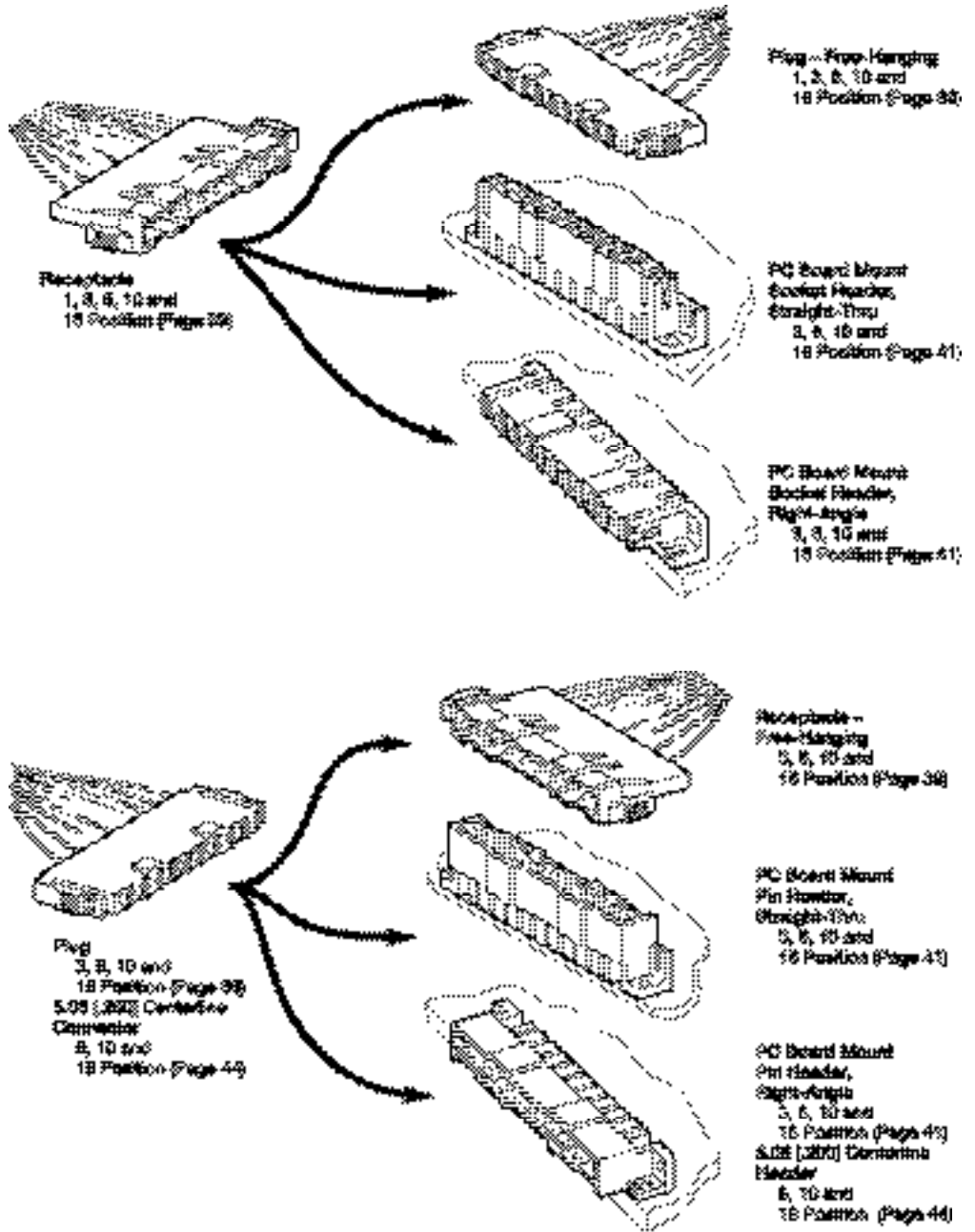
23 Position Wire-To-Board (Right-Angle); 18 Position
Hybrid (5 Power, 13 Signal) Wire-To-Board (Right-Angle);
30 Position Wire-To-Wire
(Page 27)

Metrimate Connector Applications (Continued)

Square Grid Connectors

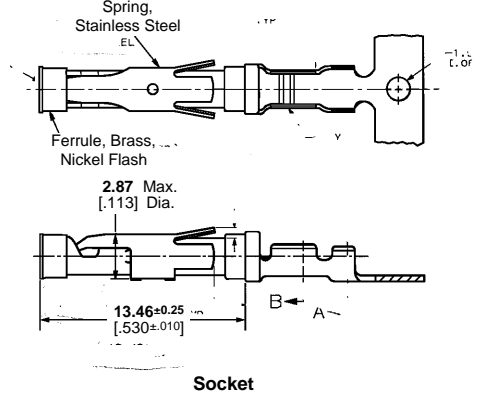
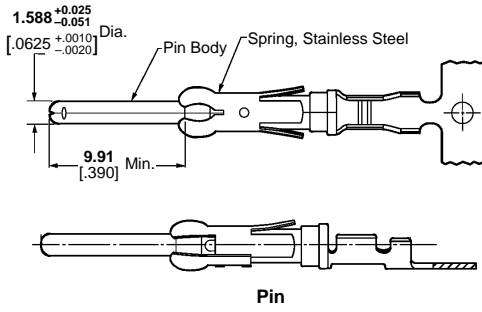
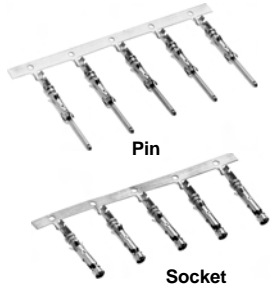


Metrimate Connector Applications (Continued)



Signal Contacts

Type III+, Crimp, Snap-In



Material

Contact Body—Brass or phosphor bronze
Retention Spring—Stainless steel

Finish

See chart.

Related Product Data

Application Tooling—Pages 56, 57
Technical Documents
 114-10004 Application Specification
 108-10042 Product Specification

Contact Size 16—Pin Diameter 1.57 [.062] (Test Current, 13 Amperes)‡

| AWG | Wire Size Range mm ² | Ins. Dia. Range | Contact Finish | Strip Form Contact No. | | Loose Piece Contact No. | | Tooling Part No. | | | |
|-------|------------------------------------|-------------------------------------|-------------------------------|------------------------|-----------|-------------------------|-----------|--|---|---|---|
| | | | | Pin | Socket | Pin | Socket | Loose Piece Hand Tool | Strip Form Applicators | | |
| 30-28 | 0.05-0.09 | 0.38-0.76 .015-.030 | Gold/Nickel ² | 788085-3 | 788088-2 | — | — | 90716-1 | 567867-1*** or 567947-1*** or 680602-□*** | | |
| | | | Sel. Gold/Nickel ³ | 788085-1 | 788088-1 | 788085-4 | 788088-3 | | — | — | |
| | | | Bright Tin-Lead | 66425-6 | 66424-6 | — | — | | — | — | |
| 30-26 | 0.05-0.15 | 1.02-1.52 ¹ .040-.060 | Gold/Nickel ² | 66425-7 | 66424-7 | 66429-3 | 66428-3 | 91515-16 | 466598-□*** | | |
| | | | Sel. Gold/Nickel ³ | 66425-8 | 66424-8 | 66429-4 | 66428-4 | | | — | — |
| | | | Bright Tin-Lead | 66393-7 | 66394-7 | — | — | | | — | — |
| 26-24 | 0.12-0.2 | 0.36-0.76 ¹ .014-.030 | Gold/Nickel ² | 66393-8 | 66394-8 | 66406-4 | 66405-4 | 90225-26 | 466585-3*** | | |
| | | | Sel. Gold/Nickel ³ | 66393-8 | 66394-8 | 66406-4 | 66405-4 | | | — | — |
| | | | Bright Tin-Lead | 66106-6 | 66108-6 | 66107-2 | 66109-2 | | | — | — |
| 24-20 | 0.2-0.6 | 0.89-1.40 ¹ .035-.055 | Gold/Nickel ² | 66106-7 | 66108-7 | 66107-3 | 66109-3 | 91515-16 or 58495-1* | 466321-□*** or 466908-2*** | | |
| | | | Sel. Gold/Nickel ³ | 66106-8 | 66108-8 | 66107-4 | 66109-4 | | | — | — |
| | | | Bright Tin-Lead | 66102-7 | 66104-7 | 66103-2 | 66105-2 | | | — | — |
| 24-20 | 0.2-0.6 | 1.02-2.03 ¹ .040-.080 | Gold/Nickel ² | 66102-8 | 66104-8 | 66103-3 | 66105-3 | 91515-16 or 58495-1* | 466323-□*** or 466907-2*** | | |
| | | | Sel. Gold/Nickel ³ | 66102-9 | 66104-9 | 66103-4 | 66105-4 | | | — | — |
| | | | Bright Tin-Lead | 2-66102-2 | 2-66104-3 | 1-66103-2 | 1-66105-3 | | | — | — |
| 24-20 | 0.2-0.6 | 1.52-3.05 ⁵ .060-.120 | Gold/Nickel ² | 66564-6 | 66563-6 | 66566-2 | 66565-2 | 91542-16 | 466383-4*** or 466979-1*** or 567363-□*** | | |
| | | | Sel. Gold/Nickel ³ | 66564-8 | 66563-8 | 66566-4 | 66565-4 | | | — | — |
| | | | Bright Tin-Lead | 66332-5 | 66331-5 | 66400-1 | 66399-1 | | | — | — |
| 18-16 | 0.8-1.4 | 2.03-2.54 ¹ .080-.100 | Gold/Nickel ² | 66332-7 | 66331-7 | 66400-3 | 66399-3 | 91523-16 or 90225-26 | 466324-□*** or 466942-1*** | | |
| | | | Sel. Gold/Nickel ³ | 66332-8 | 66331-8 | 66400-4 | 66399-4 | | | — | — |
| | | | Bright Tin-Lead | 66098-2 ⁵ | 66100-7 | 66099-2 | 66101-2 | | | — | — |
| 18-14 | 0.8-2.0 | 2.03-2.54 ¹ .080-.100 | Gold/Nickel ² | 66098-7 | 66100-8 | 66099-3 | 66101-3 | 91505-16 or 91523-16 or 58495-1* | 466325-□*** or 466906-1*** | | |
| | | | Sel. Gold/Nickel ³ | 66098-8 | 66100-9 | 66099-4 | 66101-4 | | | — | — |
| | | | Bright Tin-Lead | 66098-6 | 66100-7 | 66099-1 | — | | | — | — |
| 18-14 | 0.8-2.0 | 2.79-3.81 ⁵ .110-.150 | Gold/Nickel ² | 66359-6 | 66358-6 | 66361-2 | 66360-2 | 91519-16 | 466326-□*** or 466923-2*** | | |
| | | | Sel. Gold/Nickel ³ | 1-66359-1 | 1-66358-2 | 66361-7 | 66360-7 | | | — | — |
| | | | Bright Tin-Lead | 66359-9 | 66358-9 | 66361-3 | 66360-3 | | | — | — |
| 18-14 | 0.8-2.0 | 2.79-3.81 ⁵ .110-.150 | Gold/Nickel ² | 1-66359-0 | 1-66358-0 | 66361-4 | 66360-4 | 91521-16 | 466958-1*** or 567364-□*** | | |
| | | | Sel. Gold/Nickel ³ | 1-66359-2 | 1-66358-3 | 66361-8 | 66360-8 | | | — | — |
| | | | Bright Tin-Lead | 66597-1 | 66598-1 | 66602-1 | 66601-1 | | | — | — |
| 18-14 | 0.8-2.0 | 2.79-3.81 ⁵ .110-.150 | Gold/Nickel ² | 66597-2 | 66598-2 | 66602-2 | 66601-2 | 91521-16 | 466958-1*** or 567364-□*** | | |
| | | | Sel. Gold/Nickel ³ | 66597-2 | 66598-2 | 66602-2 | 66601-2 | | | — | — |

¹Overall insulation crimp diameter, including crimp barrel, must not exceed 3.18 [.125].
²0.00038 [.000015] gold in the mating area over 0.00127 [.000050] min. nickel.
³0.00076 [.000030] gold in the mating area, with gold flash on remainder, over 0.00127 [.000050] min. nickel.
⁴0.00076 [.000030] gold in the mating area, with gold gradient on remainder, over 0.00127 [.000050] min. nickel.
⁵Contacts can only be used in Metrimate and CPC Series 1 (Arr. 23-24), Series 4 (Arr. 23-13M, 23-16M, 23-22M), and VDE connectors.

[†]To use with the 626 Pneumatic Tool System: remove the crimping head from the Straight Action Hand Tool (SAHT) Assembly, order SAHT Adapter Part No. (Call Technical Support). Adapter Holder Part No. 356304-1 (with ratchet) or 189928-1 (without), and Power Unit Part No. 189721-1 (hand actuated) or 189722-1 (foot actuated).
[‡]Standard reeling of strip form contacts.
^{*}Commercial PRO-CRIMPER II hand tool for field repair only. **Note:** Die Set can be adapted for use with the 626 Pneumatic Tool System.

[‡]Single contact, free-air test current is not to be construed as contact rating current. Use only for testing. Refer to contact current carrying capability information on page 3.
Insertion Tool Part No. 91002-1 (for insulation diameters 1.78 [.070] or less), **No. 200893-2** (for insulation diameters 2.29 [.090] max.).
Extraction Tool Part No. 305183. (Instruction Sheet 408-1216)
 ***Call Technical Support for Automatic Machine Applicator Part Numbers.

Signal Contacts (Continued)

Type III+, Crimp, Snap-In

Contact Size—16
Pin Diameter—1.57 [.062]

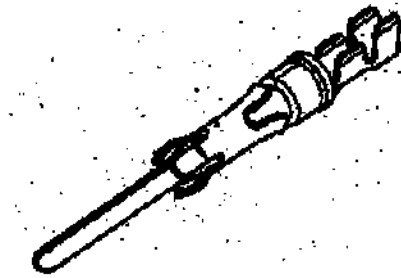
Material and Finish

Contact Body—Copper alloy, plated tin or gold
Spring—Stainless steel

Grounding Pin
 (make first - break last)

Related Product Data

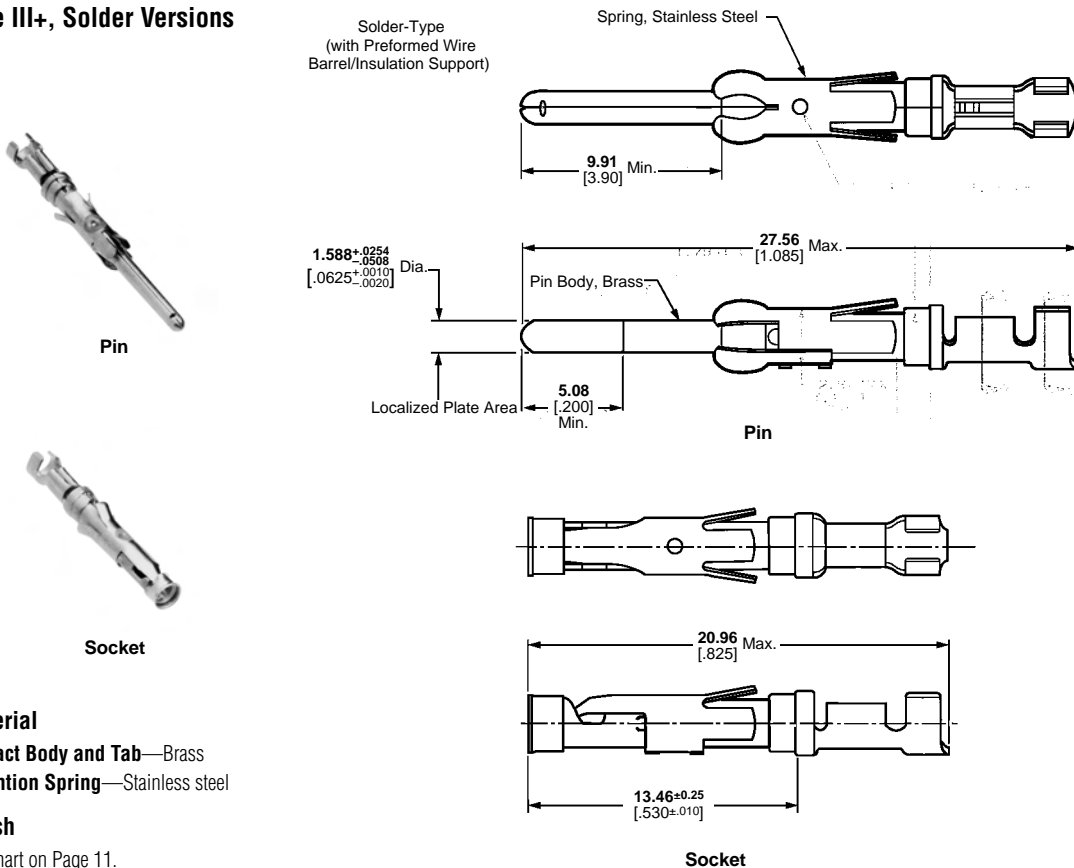
Application Tooling—Pages 56, 57
Technical Documents—Page 58



| Wire Size Range | | Ins. Dia. Range ¹ | Contact Finish | Grounding Pin Part No. | | Strip Form Applicator Part No. | Loose Piece Hand Tool Part No. |
|--------------------|-------|------------------------------|-------------------------------|------------------------|-------------|--------------------------------|--|
| [mm ²] | AWG | | | Strip Form | Loose Piece | | |
| 0.12-0.2 | 26-24 | 0.89-1.4 .035-.055 | Tin-Lead | 164159-3 | 164162-1 | — | 91515-1 ³ or 58495-1* |
| | | | Sel. Gold/Nickel ² | 164159-4 | 164162-2 | | |
| 0.2-0.6 | 24-20 | 1.14-1.78 .045-.070 | Bright Tin-Lead | 164160-3 | 164163-1 | 466323-□*** | 91515-1 ³ or 91505-1 ³ or 58495-1* |
| | | | Sel. Gold/Nickel ² | 164160-4 | 164163-2 | 466907-2*** | 58495-1* |
| 0.8-1.4 | 18-16 | 1.98-2.49 .078-.098 | Tin-Lead | 164161-3 | 164164-1 | 466741-□*** | 91523-1 ³ or 91505-1 ³ or 58495-1* |
| | | | Sel. Gold/Nickel ² | 164161-4 | 164164-2 | 680114-3*** | 58495-1* |

¹Overall insulation crimp diameter, including crimp barrel, must not exceed 3.18 [.125].
²Gold flash over 0.00076 [.000030] min. nickel on entire contact, with 0.00076 [.000030] gold in contact area.
³To use with the 626 Pneumatic Tool System: remove the crimping head from the Straight Action Hand Tool (SAHT) Assembly, order SAHT Adapter **Part No. (Call Technical Support)**, Adapter Holder **Part No. 356304-1** (with ratchet) or **189928-1** (without), and Power Unit **PartNo. 189721-1** (hand actuated) or **189722-1** (foot actuated).
 *Commercial PRO-CRIMPER II hand tool for field repair only. **Note:** Die Set can be adapted for use with the 626 Pneumatic Tool System.
 ***Call Technical Support for Automatic Machine Applicator Part Numbers.
Extraction Tool Part No. 725840-1

Type III+, Solder Versions



Material

Contact Body and Tab—Brass
Retention Spring—Stainless steel

Finish

See chart on Page 11.

Signal Contacts (Continued)

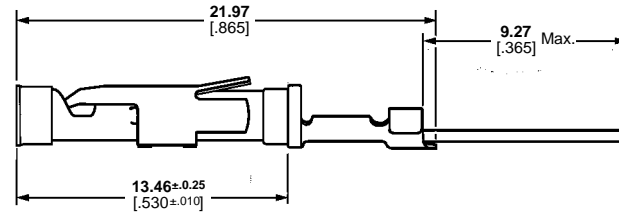
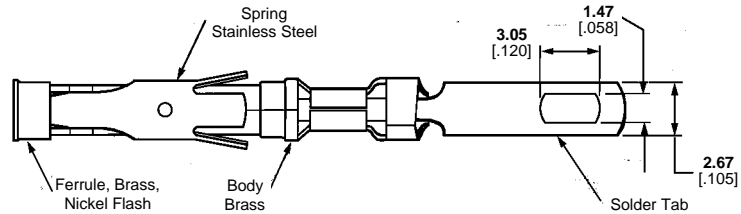
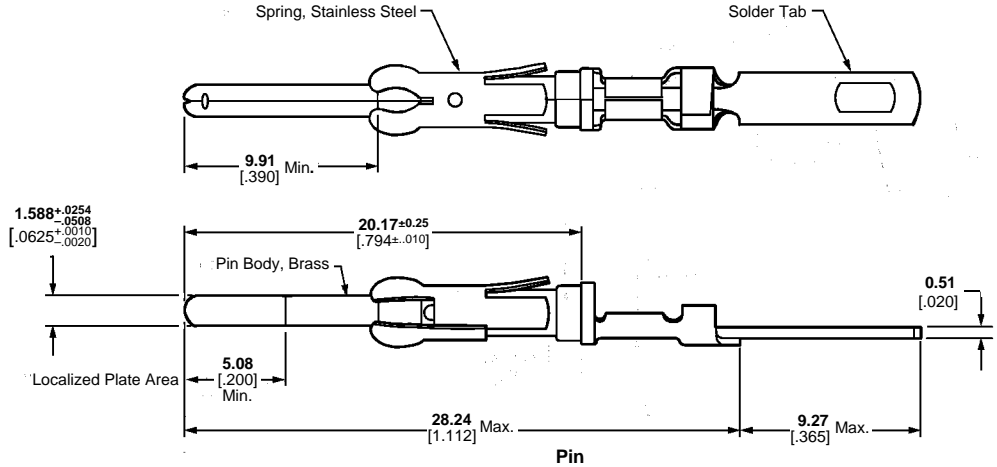
Type III+, Solder Versions
(Continued)



Pin



Socket



Socket

Material

Contact Body and Tab—Brass

Retention Spring—Stainless steel

Finish

See chart.

Contact Size 16—Pin Diameter 1.57 [.062] (Test Current, 13 Amperes)‡

| Wire Size Range | | Contact Finish | Loose Piece Contact No. | |
|-----------------|--------------------|------------------------------|-------------------------|----------|
| AWG | [mm ²] | | Pin | Socket |
| 26-20 | 0.12-0.6 | Gold/Nickel ¹ | 66182-1 | 66183-1 |
| 18-16 | 0.8-1.4 | Gold/Nickel ¹ | 66180-1 | 66181-1 |
| Solder Tab | | Duplex ² | 202236-1 | 202237-1 |
| | | Bright Tin-Lead ³ | 202236-2 | 202237-2 |

¹0.00076 [.000030] gold in mating area over 0.00127 [.000050] nickel.

²Duplex plated 0.00076 [.000030] gold in mating area over 0.00127 [.000050] nickel on contact body; bright tin-lead on solder tab.

³Bright tin-lead on entire contact.

Note: These contacts can be used in Multimate contact cavities of all connector housings.

‡Single contact, free-air test current is not to be construed as contact rating current. Use only for testing.

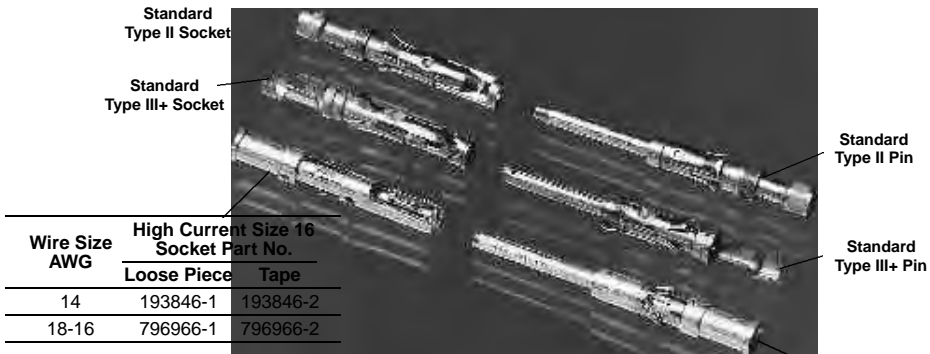
Refer to contact current carrying capability information on page 3.

Extraction Tool **Part No. 305183** (Instruction Sheet 408-1216)

Power Contacts—High Current Upgrade

Type II and Type III+, Size 16

The features of the High Current Size 16 contact have been designed to fit into the existing AMP Multimate Connectors such as CPC (Circular Plastic Connector), CMC (Circular Metal Connector), G Series, M Series, Econoseal, Metrimate Square Grid and Drawer Connector housings. An initial T-Rise test in free air has shown a 23 amp capability with a 30°C T-Rise. The contact may be crimped onto 14 AWG wire with a Tyco Electronics hand tool P/N 601967-1. Use turret TH502 (1-601967-6) for the pin and turret TH501 (1-601967-5) for the socket.



| Wire Size AWG | High Current Size 16 Socket Part No. | |
|---------------|--------------------------------------|----------|
| | Loose Piece | Tape |
| 14 | 193846-1 | 193846-2 |
| 18-16 | 796966-1 | 796966-2 |

| Wire Size AWG | High Current Size 16 Pin Part No. | |
|---------------|-----------------------------------|----------|
| | Loose Piece | Tape |
| 14 | 193844-1 | 193844-2 |
| 18-16 | 796964-1 | 796964-2 |



Material

Pin Body — Leaded Brass; Copper Alloy (Board Mount)

Socket Body — Copper Alloy

Louvertac Band — Beryllium Copper

Retention Spring — Stainless Steel

Finish

Body — Silver

Louvertac Band — Gold

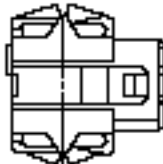
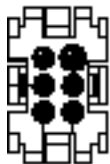
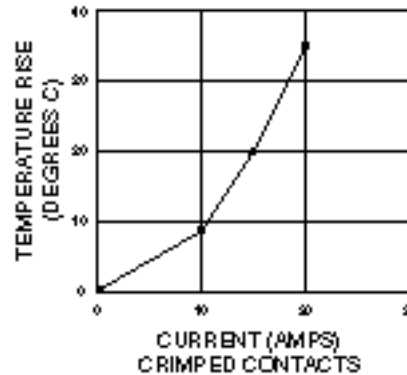


Extraction Tool Part No. 305183

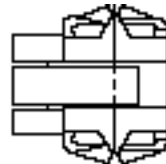
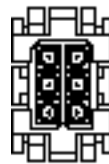
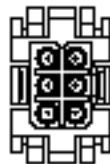
Current-Carrying Capacity. The graph shows current-carrying capacity versus temperature rise for a fully energized 6 position Metrimate Square Grid plug P/N 207152-1 and receptacle P/N 207153-1. These initial representative amperage ratings were conducted with 14 AWG wires that were 2 feet long.

Current Rating for 30°C Temperature Rise 100% Energized
6 Circuit Metrimate Connector (Wire-to-Wire)

TEMPERATURE RISE VS. CURRENT



Plug (for Sockets)



Receptacle (for Pins)

- Notes:**
1. High Current contacts with Louvertac bands are NOT intermateable with any other contact.
 2. Additional information on CPC and CMC connectors is available in Catalog 82021.
 3. Additional information on G Series connectors is available in Catalog 82046.
 4. Additional information on M Series connectors is available in Catalog 82003.
 5. Additional information on Metrimate connectors is available in Catalog 82045.
 6. Additional information on Econoseal connectors is available in Catalog 82057.
 7. Additional information on LGH connectors is available in Catalog 82024.

Coaxial Contacts

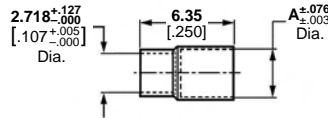
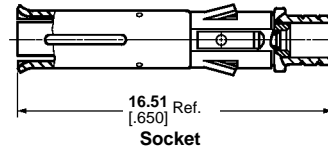
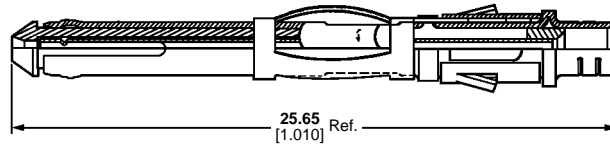
Subminiature, Crimp, Snap-In, Size 16



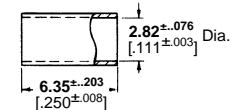
Pin



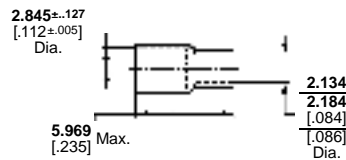
Socket



Ferrule
Part No. 225088-1 — A 3.05 [.120] Dia.
225088-3 — A 3.12 [.123] Dia.



Ferrule
Part No. 1-332056-0



Ferrule
Part No. 1-332057-0

Selection Chart for Coaxial Cable

| Cable Size (RG/U) | Contact Finish | Loose Piece Contact No. | | Ferrule Part No. | Tooling Part No. | |
|--------------------|--------------------------------------|-------------------------|---------|------------------|--|-----------|
| | | Pin | Socket | | Die Inserts for Hand Tool 69710-1 or Pneumatic Tool* | Hand Tool |
| 178, 196 | Gold/Nickel Gold/Copper ¹ | 226537-2 | 51565-2 | 1-332057-0 | 69690-2 | 69656-2 |
| | Gold/Nickel Gold/Copper ² | — | 51565-5 | | | |
| 196 (Double Braid) | Gold/Nickel Gold/Copper ¹ | 226537-2 | 51565-2 | 225088-1 | — | 69656-9 |
| | Gold/Nickel Gold/Copper ² | — | 51565-5 | | | |
| 174, 188, 316 | Gold/Nickel Gold/Copper ¹ | 226537-1 | 51565-1 | 1-332056-0 | 69690 | 91911-3** |
| | Gold/Nickel Gold/Copper ² | 226537-4 | 51565-4 | | | |
| 174 (Double Braid) | Gold/Nickel Gold/Copper ¹ | 226537-1 | 51565-1 | 225088-3 | — | 69656-7 |
| | Gold/Nickel Gold/Copper ² | 226537-4 | 51565-4 | | | |
| 179, 187 | Gold/Nickel Gold/Copper ¹ | 226537-1 | 51565-1 | 1-332056-0 | 69690-1 | 91911-4** |
| | Gold/Nickel Gold/Copper ² | 226537-4 | 51565-4 | | | |
| 187 (Double Braid) | Gold/Nickel Gold/Copper ¹ | 226537-1 | 51565-1 | 225088-1 | — | 69656-8 |
| | Gold/Nickel Gold/Copper ² | 226537-4 | 51565-4 | | | |
| 161 | Gold/Nickel Gold/Copper ¹ | 226537-1 | 51565-1 | 1-332056-0 | — | 69656-5 |
| | Gold/Nickel Gold/Copper ² | 226537-4 | 51565-4 | | | |

*Use hand actuated Power Unit **Part No. 189721-2** or foot actuated Power Unit **Part No. 189722-2**. Both units require "C" Head Die Set Adapter **Part No. 318161-1** and an Adapter Holder **Part No. 356304-1** (with ratchet) or **Part No. 189928-1** (without ratchet). Request Catalog 124208 for information on the 626 Pneumatic Tool System.

**Die Set used with PRO-CRIMPER II hand tool frame Part No. 354940-1.
Extraction Tool **Part No. 305183**

Material

Outer Shell—Brass per MIL-C-50
Center Conductor—Beryllium copper per QQ-C-533 (Pin); Brass per QQ-B-626 (Socket)
Inner Dielectric—Polypropylene
Retention Spring—Stainless steel per QQ-S-766
Ferrule—Copper per QQ-C-576 or ASTM-B-152 (1-332056-0)

Finish

Outer Shell, Center Conductor—See chart
Ferrule—Tin-lead per MIL-T-10727

Note: Subminiature Coaxial Contacts are used in Metrimate In-Line Plug and Receptacle Housings (page 39); NOT recommended for use in Metrimate Standard or Drawer Connectors.

Subminiature, Crimp, Snap-In, Size 16
(Continued)



Pin



Socket

Material

Outer Shell—Brass per MIL-C-50
Center Conductor—Beryllium copper per QQ-C-533 (Pin); Brass per QQ-B-626 (Socket)
Inner Dielectric—Polypropylene
Retention Spring—Stainless steel per QQ-S-766
Ferrule—Copper per QQ-C-576 or ASTM-B-152 (1-332056-0)

Finish

Outer Shell, Center Conductor—See chart
Ferrule—Tin-lead per MIL-T-10727

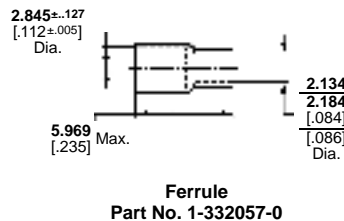
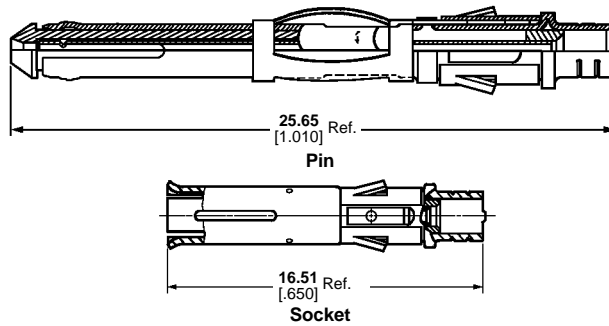
Note: Subminiature Coaxial Contacts are used in Metrimate In-Line Plug and Receptacle Housings (page 39); NOT recommended for use in Metrimate Standard or Drawer Connectors.

Coaxial Contacts (Continued)

Selection Chart for Twisted Pair and Shielded Wire

| Wire Size AWG [mm ²] | Contact Finish | Loose Piece Contact No. | | Ferrule Part No. | Tooling Part No. | |
|--|---|-------------------------|---------|------------------|--|----------------------------|
| | | Pin | Socket | | Die Inserts for Hand Tool 69710-1 or Pneumatic Tool* | Hand Tool |
| 30 0.05 (Twisted Pair, Solid) | Gold/Nickel Gold/Copper ¹ | 226537-3 | 51565-3 | 1-332057-0 | 69690-2 | 69656-2 |
| 28 0.08-0.09 (Twisted Pair, Solid) | Gold/Nickel Gold/Copper ¹ | 226537-3 | 51565-3 | 1-332057-0 | 69690 | 91911-3** |
| 28 0.08-0.09 (Twisted Pair, Stranded 7 Str., .0050 [0.13] Dia.) | Gold/Nickel Gold/Copper ¹ | 226537-3 | 51565-3 | 1-332057-0 | 69690-1 or 69690-2 | 91911-4** or 69656-2 |
| 26 0.12-0.15 (Twisted Pair, Solid or Stranded 7 Str. .0063 [0.16] Dia.) | Gold/Nickel ¹ Gold/Copper | 226537-3 | 51565-3 | 1-332057-0 | 69690 | 91911-3** |
| 26 0.12-0.15 (Shielded, .075 [1.91] Max. O.D.) | Gold/Nickel Gold/Copper ¹ | 226537-1 | 51565-1 | 1-332057-0 | 69690-3 | 69656-3 |
| | Gold/Nickel Gold/Copper ² | 226537-4 | 51565-4 | | | |

¹0.00076 [.000030] gold over 0.00127 [.000050] nickel—outer shell and socket center conductor; 0.00076 [.000030] gold over 0.00254 [.000100] copper—pin center conductor.
²0.00127 [.000050] gold over 0.00127 [.000050] nickel—outer shell and socket center conductor; 0.00127 [.000050] gold over 0.00254 [.000100] copper—pin center conductor.
 *Use hand actuated Power Unit **Part No. 189721-2** or foot actuated Power Unit **Part No. 189722-2**. Both units require "C" Head Die Set Adapter **Part No. 318161-1** and an Adapter Holder **Part No. 356304-1** (with ratchet) or **Part No. 189928-1** (without ratchet). Request Catalog 124208 for information on the 626 Pneumatic Tool System.
 **Die Set used with PRO-CRIMPER II hand tool frame Part No. 354940-1.
Note: A ferrule is required for each pin and socket.
Extraction Tool Part No. 305183



Power Contacts

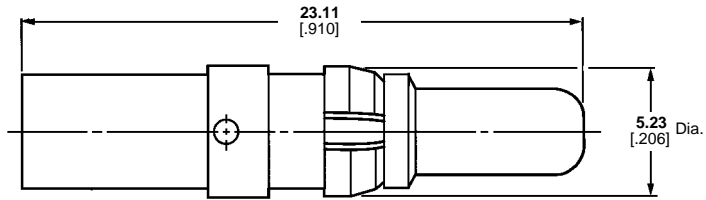
**Standard, Size 8,
4/8 Indent Crimp**



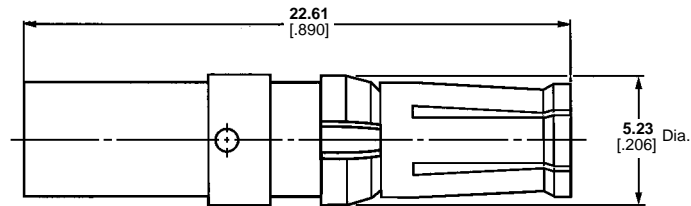
Pin



Socket



Pin



Socket

Note: Standard Size 8, High Current Upgrade Size 8 and .125 POWERBAND contacts are **not** intermateable.

Material

Contact Body—Copper alloy
Retention Clip—Phosphor bronze

Finish

Contact Body—0.00127 [.000050] gold over 0.00127 [.000050] nickel
Retention Spring—Nickel plated

Related Product Data

Technical Documents

108-10045 Product Specification
114-10014 Application Specification

Power Contacts, Standard, Size 8 (Test Current 50 Amperes)‡

| Wire Range | | Contacts | | Crimping Tools | |
|------------|--------------------|----------|----------|----------------|------------------------------|
| AWG | [mm ²] | Pin | Socket | Tool No. | Positioner |
| 18-16 | 0.8-1.4 | 213567-1 | 212014-1 | 608668-1 | (P) SP867 (S) 608668-2 |
| 14-12 | 2-3 | 213662-1 | 212008-1 | 608651-1 | (P) SP867 (S) 608651-2 |
| 10 | 5 | 213740-1 | 213737-1 | 608651-1 | (P) 608651-3 (S) 608651-2 |
| 8 | 8 | 213552-2 | 213750-1 | 608651-1 | (P) 608651-3 (S) 608651-2 |

‡Single contact, free-air test current; not to be construed as contact rating current. Use only for testing. Refer to contact current carrying capability information, page 3.

Power Contacts—High Current Upgrade (Continued)

Metrimate Drawer Connector, Size 8

The Louvertac bands have the versatility of being designed into contact dimensions used in existing Tyco Electronics connectors.

Metrimate High Current contacts have been designed to fit into the existing Drawer Connector housings. A fully energized 8 position connector with 8 gage wires can handle 30 amps per line with a 30°C T-rise on either the cable-to-cable or cable-to-board.

Cable-to-Cable

Material

- Contact Body** — Copper Alloys
- Louvertac Band** — Beryllium Copper
- Retention Spring** — Stainless Steel
- Finish** — Gold

Product Specification

108-1449 Metrimate Pin and Socket with Louvertac High Current Contact

Connector Voltage Rating — 600 VAC

■ **Recognized under the Component Program of Underwriters Laboratories Inc., File No. E28476**



■ **Certified by Canadian Standards Association, File No. LR7189A**



Cable-to-Board

Material

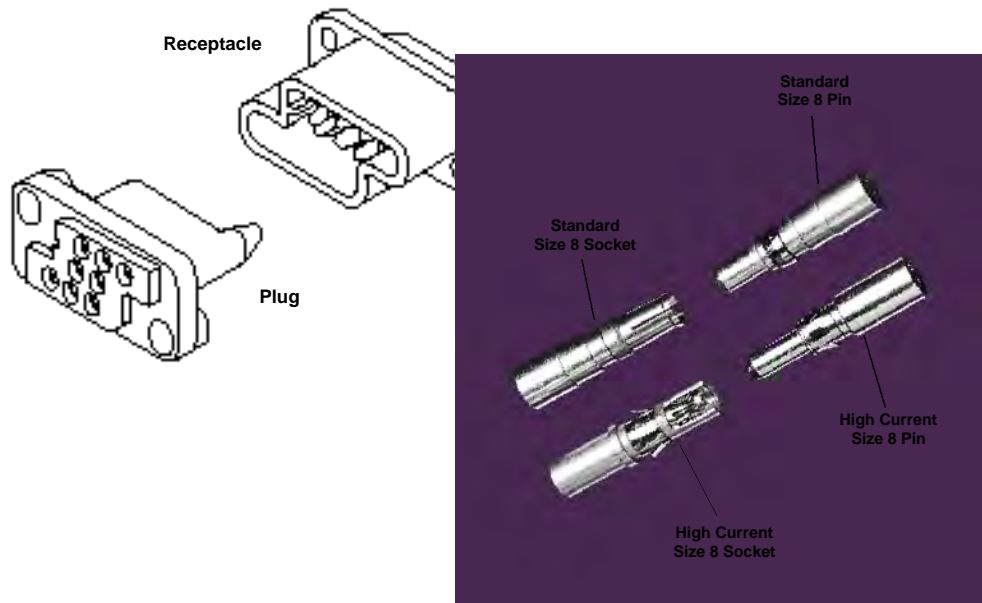
- Contact Body** — Copper Alloys
- Louvertac Band** — Beryllium Copper
- Retention Spring** — Stainless Steel
- Finish** — Gold

A typical application would have solder tail pins mounted into the receptacle and crimp sockets mounted into the plug.

■ **Recognized under the Component Program of Underwriters Laboratories Inc., File No. E28476**



■ **Certified by Canadian Standards Association, File No. LR7189A**

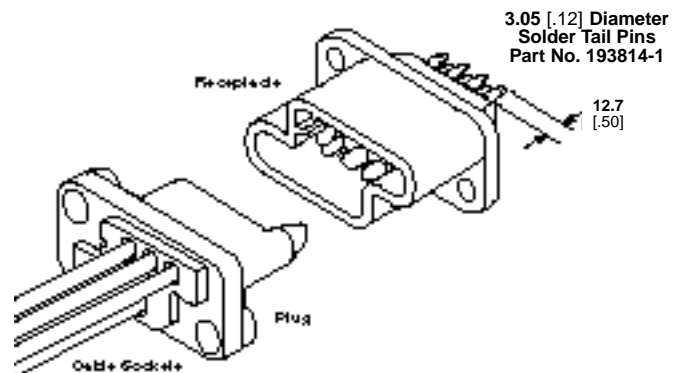


High Current Contacts

| Wire Size | | Contact Part Numbers | | Crimp Tools |
|-----------|-----------------|----------------------|----------|--|
| AWG | mm ² | Pin | Socket | |
| 8 | 8 | 193457-1 | 193458-1 | Daniels† Hand Tool #M310 or AMP P/N 356114-1 Positioner #TP944 or AMP P/N 356336-1 |
| 10 | 5 | 193642-1 | 193643-1 | |
| 12-14 | 3-2 | 193534-1 | 193535-1 | |

Extraction Tool Part No. 318813-1 or 305183-6

†Daniels Manufacturing Corp., Orlando, FL



Drawer Connector Housings

| Size Configuration | Housing Part Numbers | |
|--|----------------------|------------|
| | Plug | Receptacle |
| 8 Positions (8 Size 8 Cavities) | 213499-1 | 213500-1 |
| 15 Positions (3 Size 8 Cavities & 12 Size 16 Cavities) | 213426-1 | 213427-1 |

Extraction Tool Part No. 318813-1

Note: High Current contacts with Louvertac bands are NOT intermateable with any other contact.

Power Contacts (Continued)

.125 POWERBAND Contacts

Pin Diameter—.125 [3.175]

Test Current—50 Amperes‡

Material and Finish

Contact — Copper

Spring — Beryllium copper

Plating Code

A. 0.00508 [.000200] min. silver on contact area, 0.00127 [.000050] min. on remainder, all over 0.00127 [.000050] min. nickel underplate

B. 0.00076 [.000030] min. gold on contact area, gold flash on remainder, all over 0.00127 [.000050] min. nickel underplate

Related Product Data

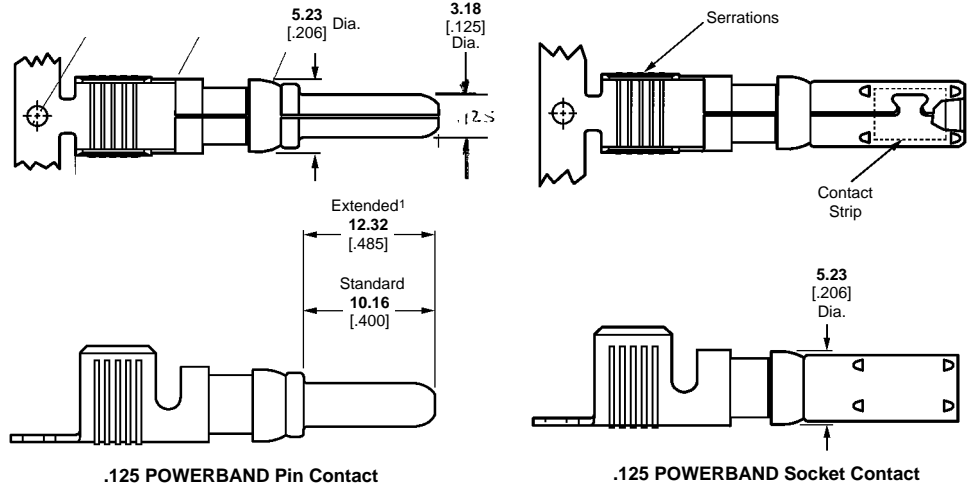
Application Tooling—Pages 56, 57

Technical Document—Page 58

Extraction Tool

Part No. 318813-1

(Instruction Sheet 408-4374)



| Wire Size AWG/mm ² | Contact Finish | Pin Length | Contact Part No. | | | | Tooling Part No. | |
|----------------------------------|-------------------|-----------------------|------------------|----------|-------------|----------|---|---|
| | | | Strip | | Loose Piece | | Heavy Duty Miniature (HDM) Applicators (for AMP-O-LECTRIC Model G Machine, Base Part No. 354500) | Die Sets for Hand Tool 69710-1 or 626 Pneumatic Tool System* |
| | | | Pin | Socket | Pin | Socket | | |
| 14-12 2-3 | A | Standard | 213845-1 | 213847-1 | 213845-3 | 213847-3 | 680195-3 | 356612-1 |
| | B | Standard | 213845-2 | 213847-2 | 213845-4 | 213847-4 | | |
| | A | Extended ¹ | 213845-5 | — | 213845-7 | — | | |
| | B | Extended ¹ | 213845-6 | — | 213845-8 | — | | |
| 10-8 5-8 | A | Standard | 213841-1 | 213843-1 | 213841-3 | 213843-3 | 680197-3 | 356611-1 (8 AWG) 356611-2 (10 AWG) |
| | B | Standard | 213841-2 | 213843-2 | 213841-4 | 213843-4 | | |
| | A | Extended ¹ | 213841-5 | — | 213841-7 | — | | |
| | B | Extended ¹ | 213841-6 | — | 213841-8 | — | | |

¹For use in Metrimate Drawer Connectors listed in chart below and Two-Piece Sealed Circular Plastic Connectors (CPC), Series 5 and 6.

‡Single contact, free-air test current; not to be construed as contact rating current. Use only for testing.

Refer to contact current carrying capability information, page 3.

Note: Standard Size 8, High Current Upgrade Size 8, and .125 POWERBAND contacts are **not** interchangeable.

*A typical 626 Pneumatic Tool System requires: a power unit (Part No. 189721-2, hand actuated or 189722-2, foot actuated), an adapter holder (Part No. 356304-1, with ratchet), and "C" Head adapter Part No. 318161-1.

.125 POWERBAND Metrimate Drawer Connectors

| No. of Pos. | Housing Part No. | |
|----------------|------------------|------------|
| | Plug | Receptacle |
| 8 | 213886-1** | 213500-3** |

Color: blue

**For use with .125 POWERBAND contacts (Extended Pin Length), listed above.

Drawer Connectors

Standard Drawer Connector Panel Mount

Product Facts

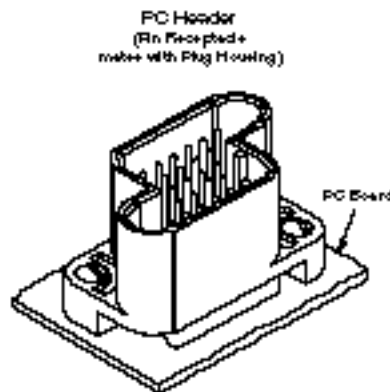
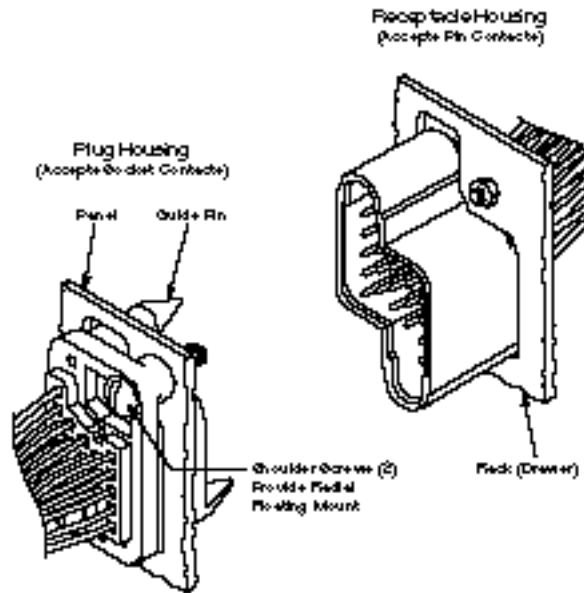
- 4-, 12-, 19- and 25-position connectors for Size 16 contacts
- 8-position connector for Size 8 power contacts, and a 15-position connector for 3 Size 8 power contacts and 12 Size 16 contacts
- Provides “blind” mating with up to 2.3 [.090] misalignment in any direction
- Guide pins molded into plug half
- Plug and receptacle can be front- or rear-panel mounted

Material

Black glass-filled thermoplastic, 94V-0 rated

Related Product Data

- Contacts**—Pages 9–17
- Mounting Screw**—Page 20
- Keying Plug**—Page 44
- Dimensional Specifications and Recommended Panel Cutouts**—Pages 21–26
- Performance Characteristics**—Page 3
- Technical Documents**—Page 58
- Product Specifications**—108-10033
108-10045
- Application Specifications**—114-10039
114-10014



Standard Drawer Connectors

| No. of Pos. | Connector Housing Part Nos.* | | | PC Header Part Nos. | | | Grounding Pins should not be used in these receptacle cavities |
|-------------|------------------------------|------------|------------------------------|---------------------|------------------------|------------------------|--|
| | Plug | Receptacle | Receptacle With 8/32 Inserts | Pin Headers | | Socket Headers | |
| | | | | Solder Tails | ACTION PIN | Solder Tails | |
| 4 | 212608-1 | 212609-1 | 213749-1 | — | — | — | 1 and 4 |
| 12 | 211758-1 | 211759-1 | 213748-1 | 213824-1A | — | — | 1 and 12 |
| 19 | 208210-2 | 208209-2 | — | 213738-2A | — | — | 1 and 19 |
| 25 | 211150-1 | 211149-1 | — | 213672-1A | 213558-1B 213558-2C | 213881-1A 213784-1B | 1 and 25 |

*Housings only, order contacts separately. See pages 9-12 for contact specifications.

PC Header Plating Code:

^AContact brass plated 0.00076 [.000030] min. gold on mating end, gold flash remainder, both over 0.00127 [.000050] min. nickel underplating. Post end brass plated 0.00254 [.000100] min. tin-lead over 0.00254 [.000100] min. copper. Spring—Stainless steel.

^BContact phosphor bronze plated 0.00254 [.000100] min. tin-lead over 0.00127 [.000050] min. nickel.

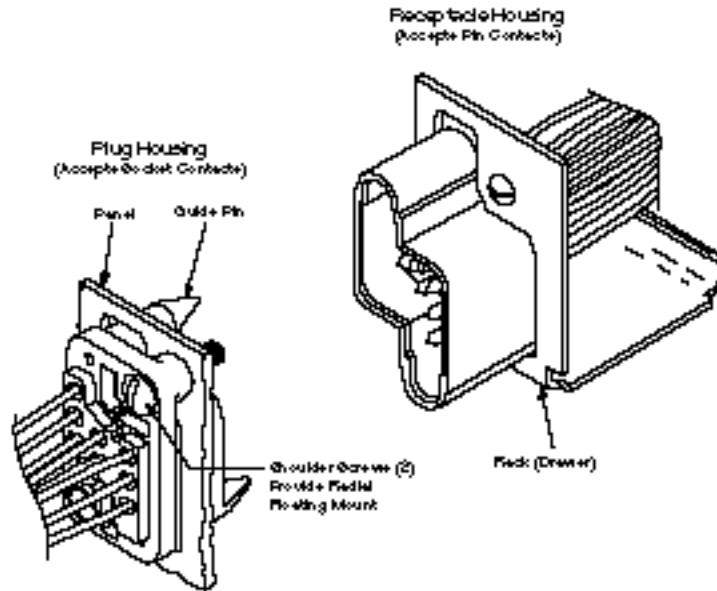
^CContact phosphor bronze plated 0.00076 [.000030] min. gold on the mating area, 0.00038 [.000150] min. tin-lead on the ACTION PIN contact end, all over 0.00127 [.000050] min. nickel.

Note: Select loaded configurations including grounding pins can be made available; consult Tyco Electronics.

Drawer Connectors (Continued)

Power Drawer Connector, Size 8*

*For use with Size 8 contacts found on page 15



Blindmate Power Connectors

| No. of Pos. | Housing Part No.* | | With 8/32 Insert | PCB Headers | |
|------------------------------|-------------------|------------|------------------|-----------------------|-----------------------|
| | Plug | Receptacle | | Pin | Socket |
| 8 (8 size 8) | 213499-1 | 213500-1 | 213752-1 | 213882-1 | 213883-1 |
| 15 (3 size 8, 12 size 16) | 213426-1 | 213427-1 | — | 213713-1 ¹ | 213908-2 ¹ |

¹Loaded with Size 16 contacts only.

*Housing only, order contacts separately. See pages 15 and 16 for contact specifications.

Power Drawer Connector, .125 POWERBAND*

*For use with .125 POWERBAND contacts found on page 17

.125 POWERBAND Connectors

| No. of Pos. | Housing Part No. | |
|-------------|------------------|------------|
| | Plug | Receptacle |
| 8 | 213886-1* | 213500-3* |

*Color: blue

Drawer Hardware

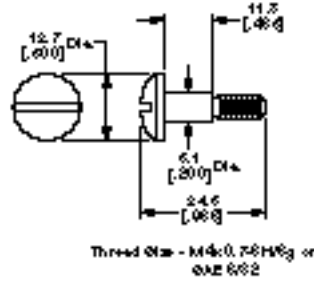
Mounting Screw

Material

Stainless steel

| Thread Size | Part No. |
|--------------|----------|
| M4×0.7-6H/6g | 208211-1 |
| SAE 6/32 | 208211-4 |

Note: These shoulder screws are used for mounting the plug housing and they provide float for positioning of misaligned connectors. Two are required for each plug. Mounting screws are to be ordered separately. Nuts are to be supplied by the customer.

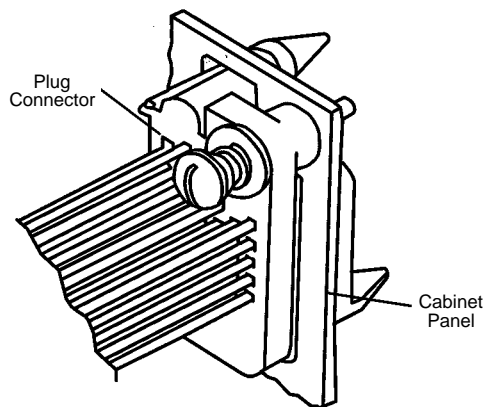
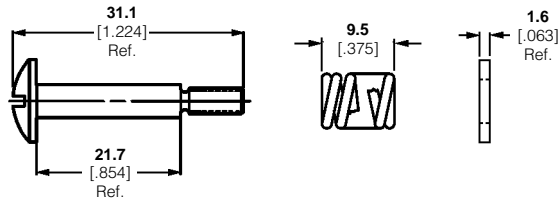


Screw Kits

Part No. 213283-2

Kit Includes: 2—M4 screws,
2—Springs, 2—Washers

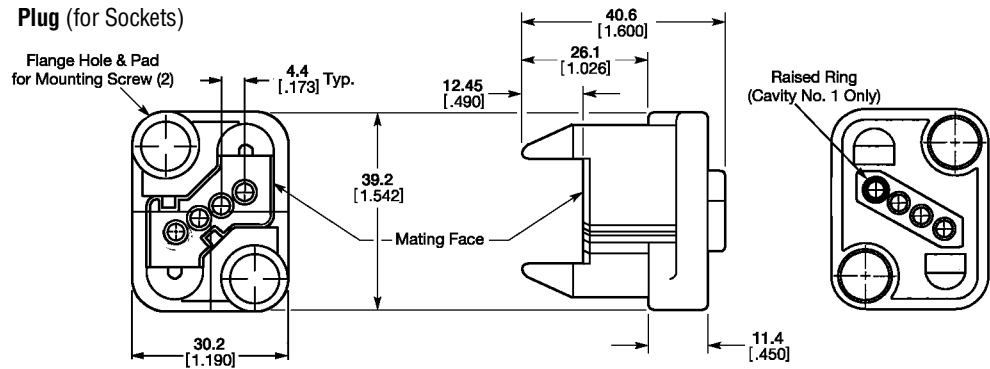
Screw Kits are recommended in order to compensate for misaligned connector halves and to provide float in X, Y, and Z directions.



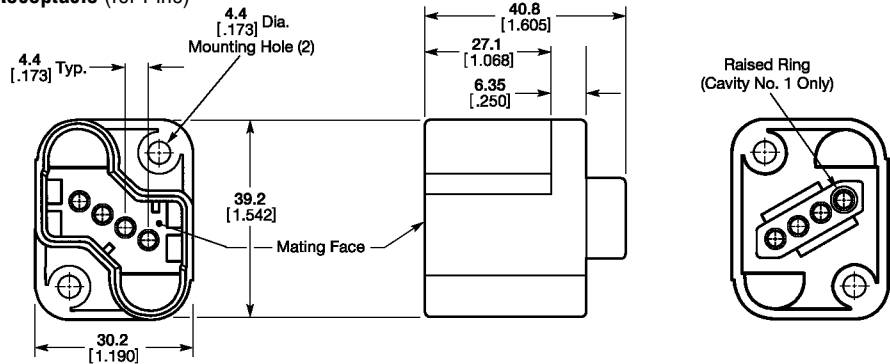
Drawer Connector Specifications

4 Position Housings

Plug (for Sockets)

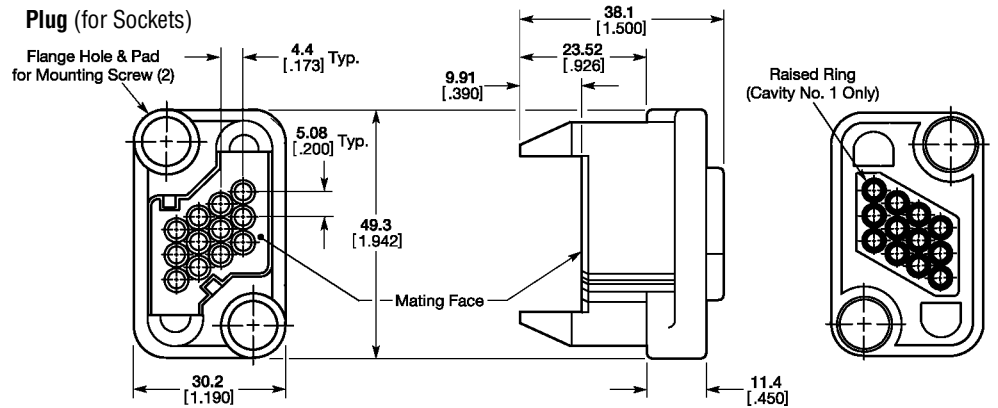


Receptacle (for Pins)

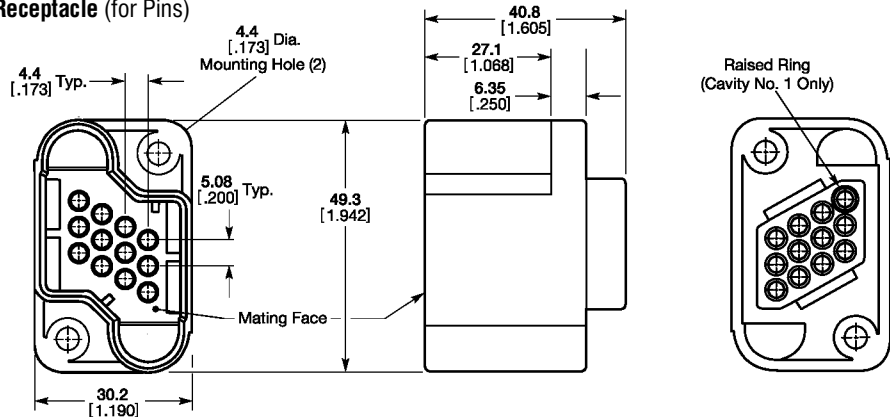


12 Position Housings

Plug (for Sockets)



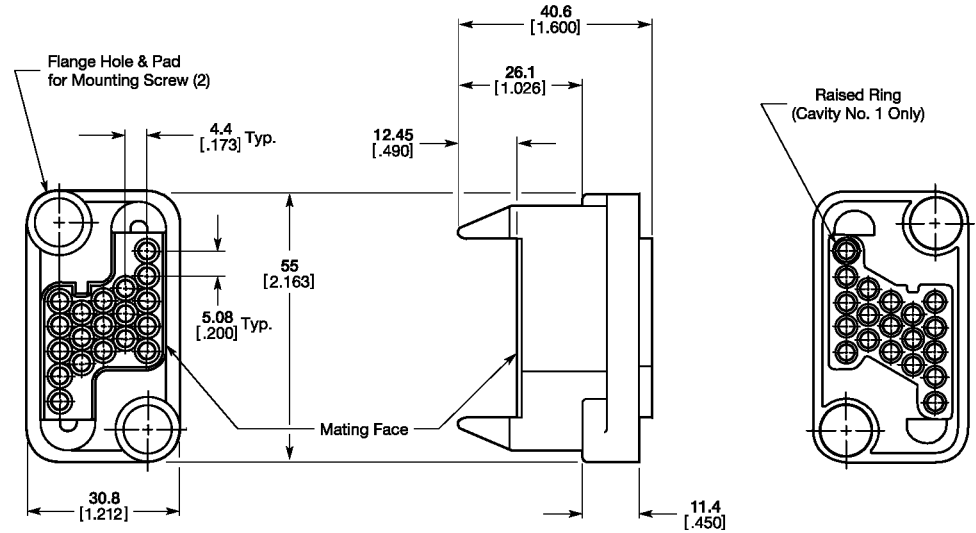
Receptacle (for Pins)



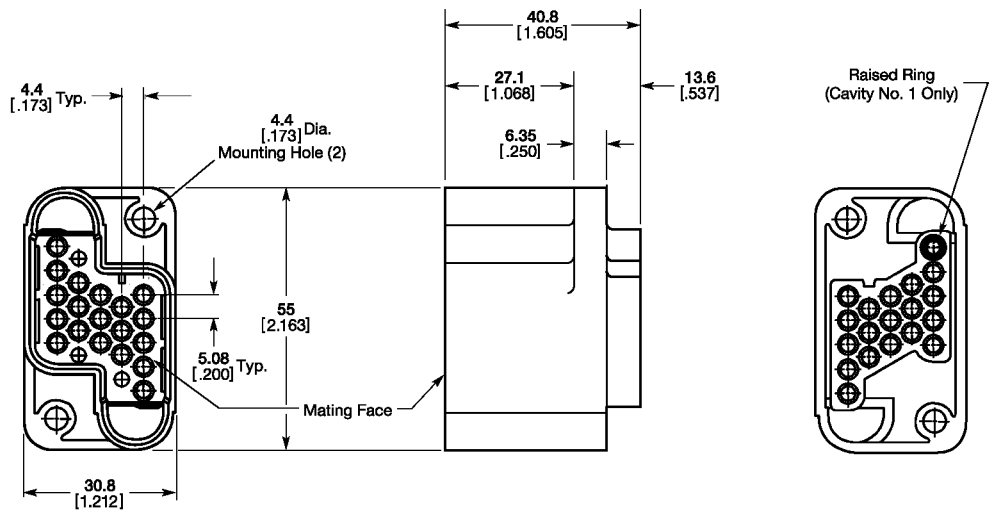
Drawer Connector Specifications (Continued)

19 Position Housings

Plug (for Sockets)



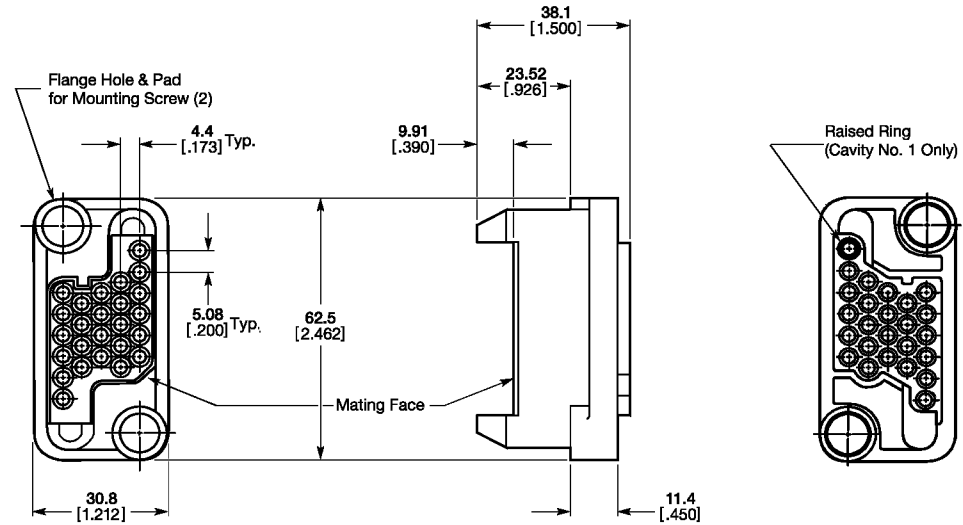
Receptacle (for Pins)



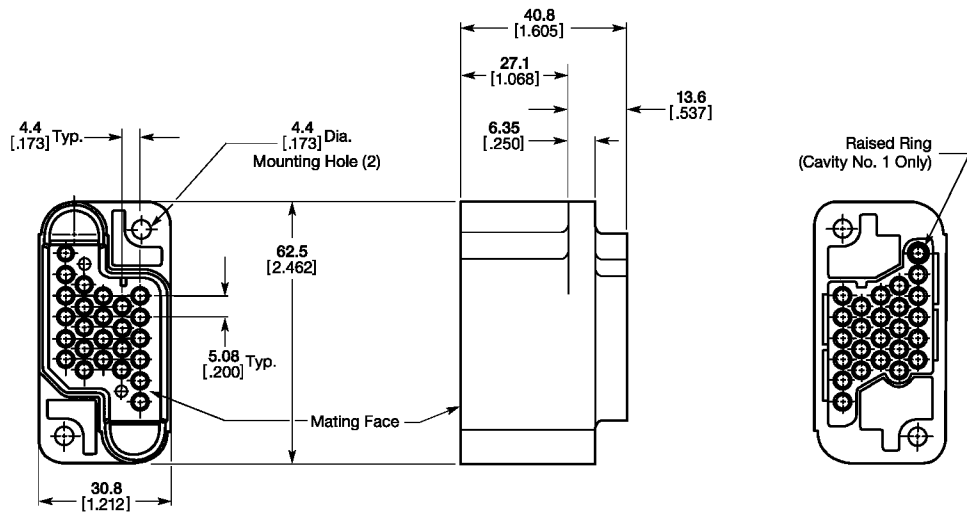
Drawer Connector Specifications (Continued)

25 Position Housings

Plug (for Sockets)



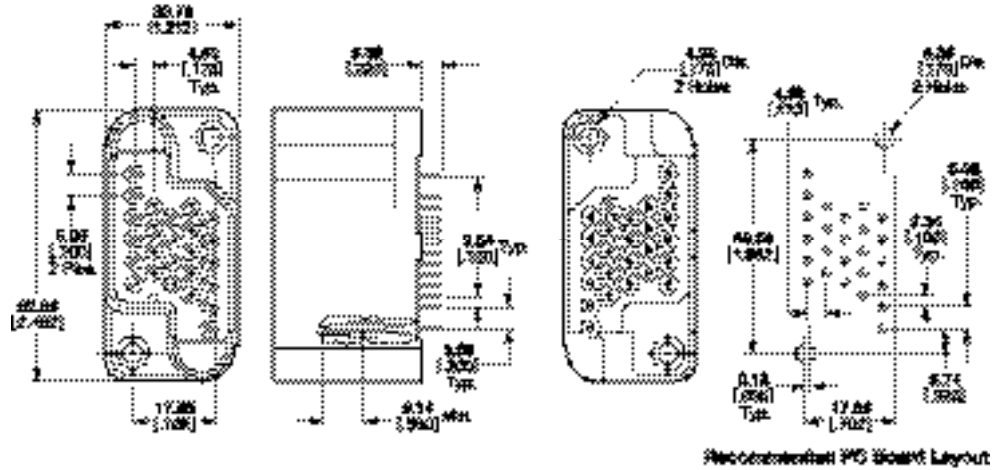
Receptacle (for Pins)



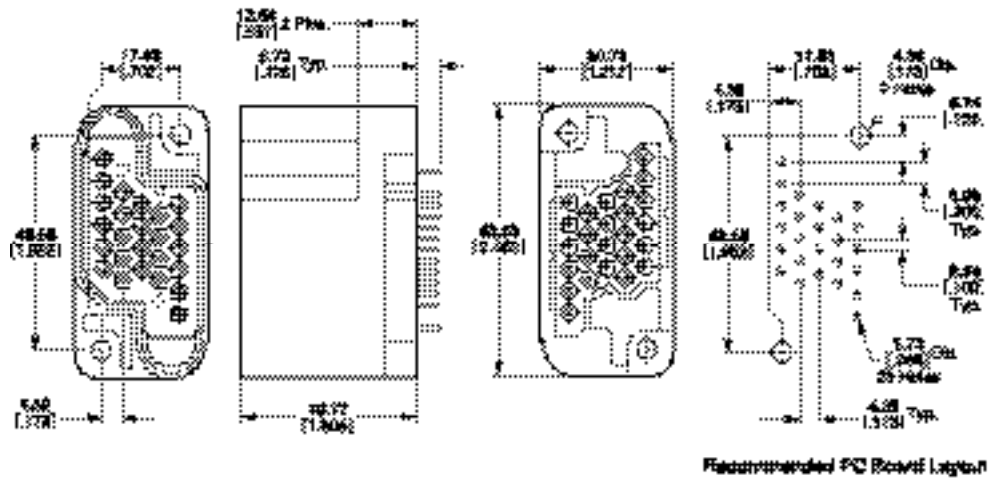
Drawer Connector Specifications (Continued)

25 Position Headers
(mates with Plug Connector
Part No. 211150-1)

Receptacle with ACTION PIN Contacts

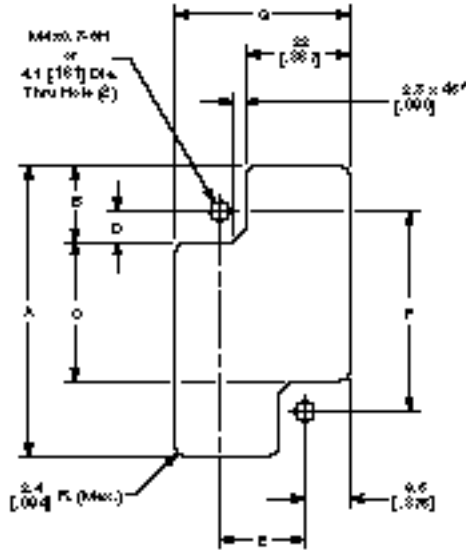


Receptacle (Posted)

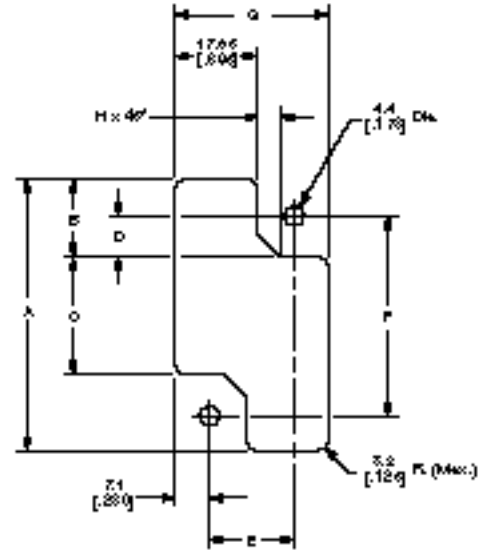


Drawer Connector Specifications (Continued)

Recommended Panel Cutouts



Recommended Panel Cutout for Plugs (Socket Housing)



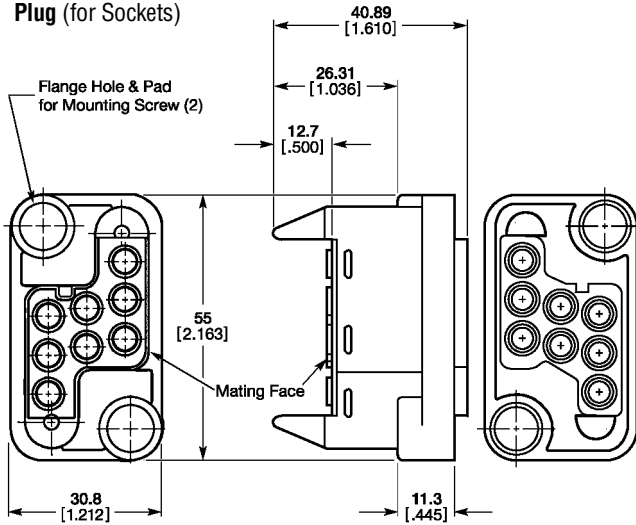
Recommended Panel Cutout for Receptacles (Pin Housing)

| No. of Positions | | Dimensions | | | | | | | |
|-----------------------------|------------|----------------|---------------|---------------|-------------|--------------|---------------|---------------|-------------|
| | | A | B | C | D | E | F | G | H |
| 4 | Plug | 45.3 1.783 | 14 .552 | 17.3 .680 | 4.5 .176 | 17.3 .680 | 26.2 1.032 | 36.3 1.430 | — |
| | Receptacle | 40.5 1.595 | 13.9 .547 | 12.8 .502 | 6.7 .265 | 17.3 .680 | 26.2 1.032 | 31.5 1.240 | 3.6 .140 |
| 12 | Plug | 55.45 2.183 | 14 .552 | 27.4 1.080 | 4.5 .176 | 17.3 .680 | 36.4 1.432 | 36.3 1.430 | — |
| | Receptacle | 50.7 1.995 | 13.9 .547 | 22.9 .902 | 6.7 .265 | 17.3 .680 | 36.4 1.432 | 31.5 1.240 | 3.6 .140 |
| 19, Power Connectors-8 & 15 | Plug | 61 2.403 | 15.9 .626 | 29.2 1.150 | 6.4 .251 | 17.8 .702 | 42 1.652 | 36.9 1.452 | — |
| | Receptacle | 56.3 2.215 | 15.93 .627 | 24.4 .960 | 8.8 .346 | 17.8 .702 | 42 1.652 | 32 1.262 | 4.6 .180 |
| 25 | Plug | 68.7 2.703 | 15.9 .626 | 36.8 1.450 | 6.4 .251 | 17.8 .702 | 49.6 1.952 | 36.9 1.452 | — |
| | Receptacle | 63.9 2.515 | 15.93 .627 | 32 1.260 | 8.8 .346 | 17.8 .702 | 49.6 1.952 | 32 1.262 | 4.6 .180 |

8 Position Housings

(Size 8)

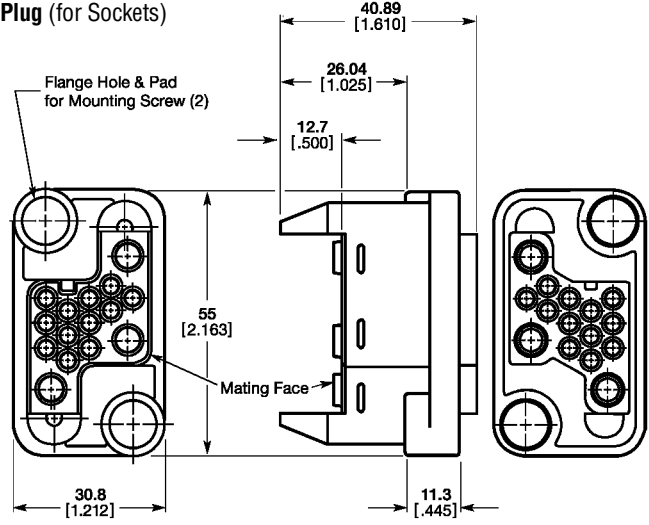
Plug (for Sockets)



15 Position Housings

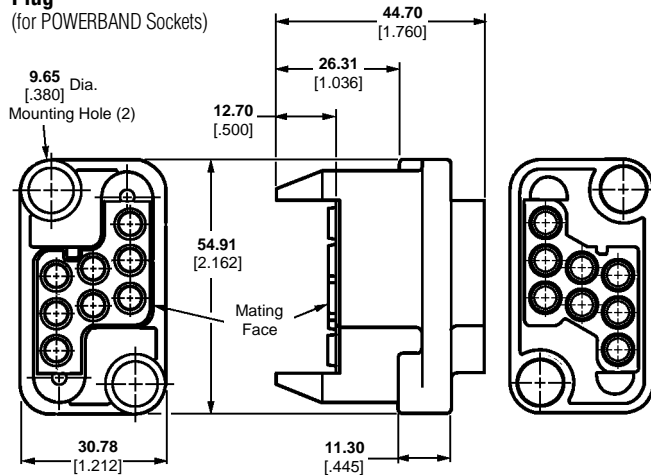
(Accept 3 Size 8 Contacts and 12 Size 16 Contacts)

Plug (for Sockets)



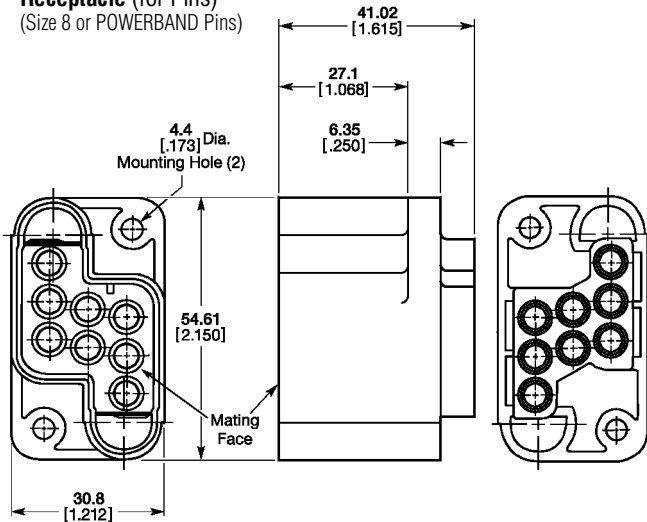
Plug

(for POWERBAND Sockets)

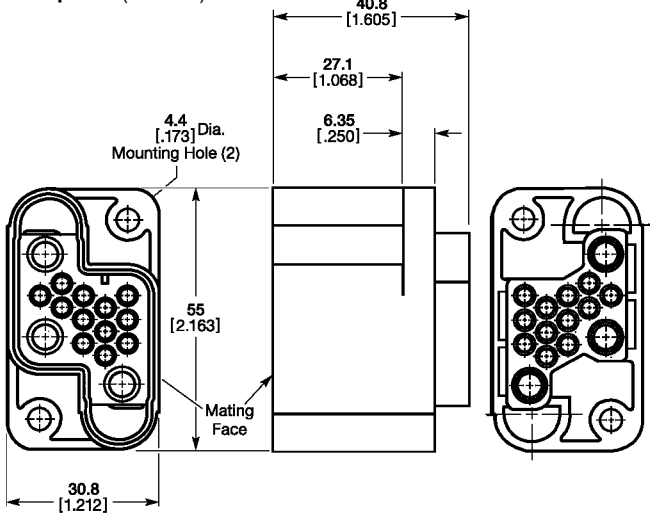


Receptacle (for Pins)

(Size 8 or POWERBAND Pins)



Receptacle (for Pins)



Low Profile Drawer Connectors

**18 Position Hybrid
Drawer Connector
Right-Angle Header
Part No. 213942-1**

| No. of Positions | Plug (for sockets) | Receptacle | | Page No. |
|------------------|--------------------|------------|----------|----------|
| | | Header | Housing | |
| 23 | 213766-1 | 213768-1 | — | 29 |
| 30 | 213973-1 | — | 213974-1 | 30 |
| 18* | 213940-1 | 213942-1 | — | 27, 28 |

*5 power, 13 signal

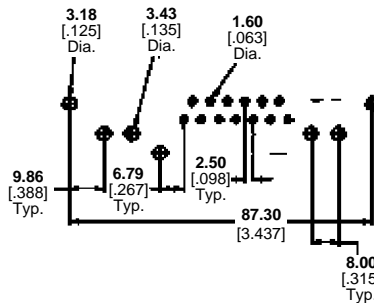
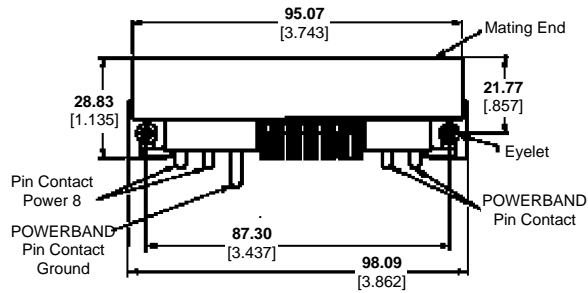
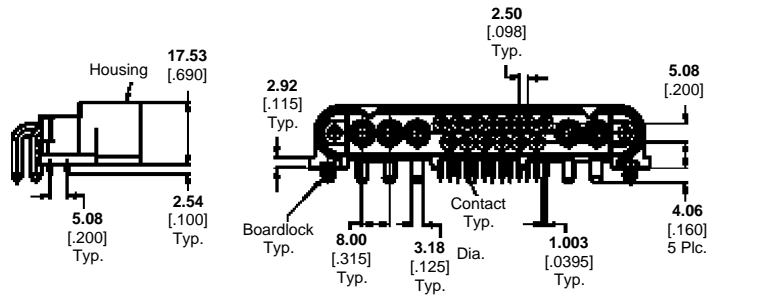
Product Facts

- 13 signal (Type III+)
- Two Size 8 Power—HOT PLUGGABLE! (10 amps AC)
- Three .125 POWERBAND Contacts

Material and Finish

Housing—Black glass-filled thermo-plastic, 94V-0 rated

Contacts—Copper alloy duplex plated 0.00076 [.000030] min. gold on mating end, tin-lead on termination end, with entire contact nickel underplated



Recommended PC Board Layout

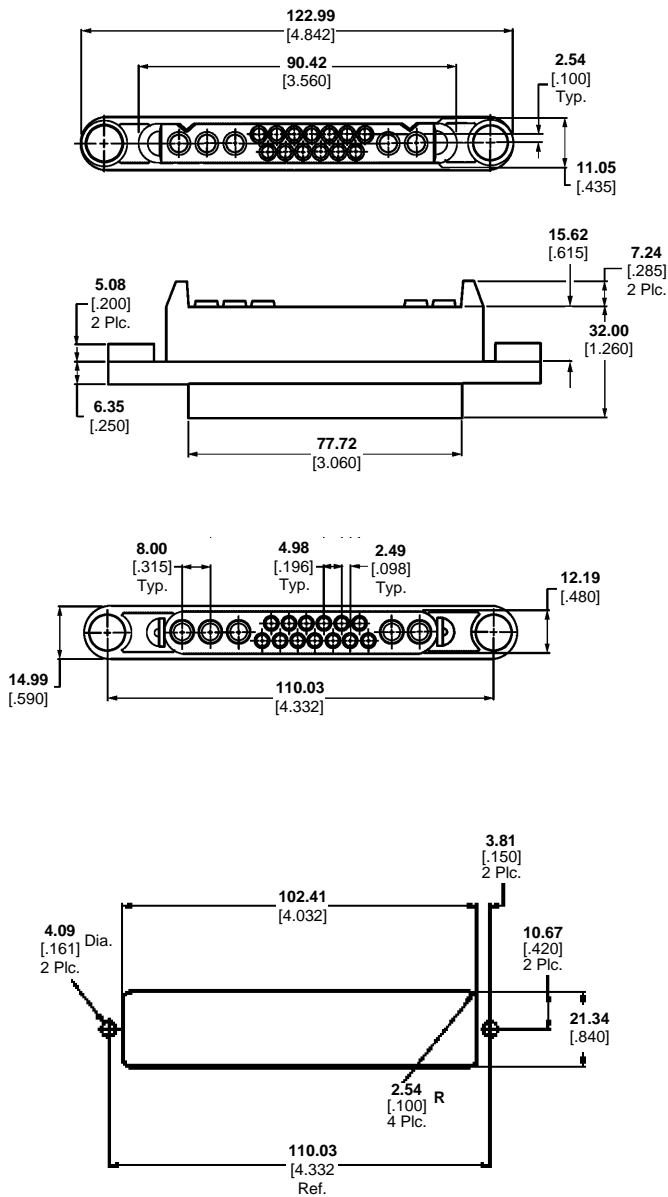
Low Profile Drawer Connectors (Continued)

**18 Position Plug Housing
(for Sockets)**

Part No. 213940-1

Material and Finish

Housing—Black glass-filled thermo-plastic, 94V-0 rated



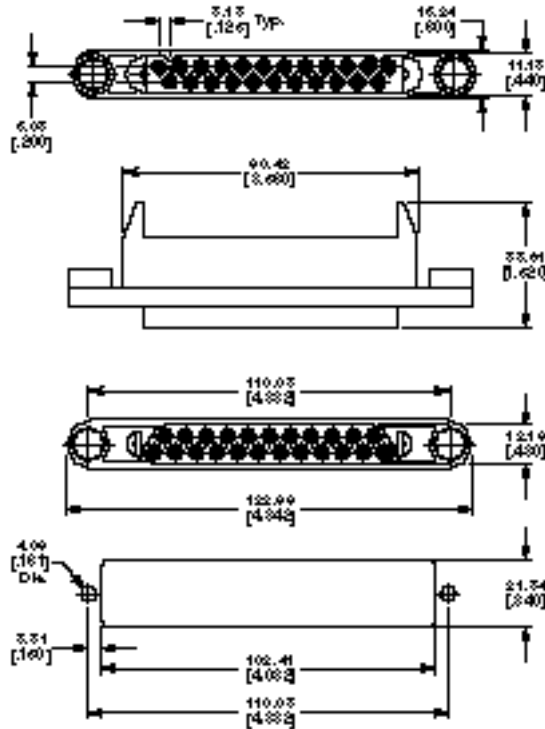
Recommended Panel Cutout

Low Profile Drawer Connectors (Continued)

**23 Position Plug Housing
(for Sockets)**
Part No. 213766-1

Material and Finish

Housing—Black glass-filled thermo-plastic, 94V-0 rated

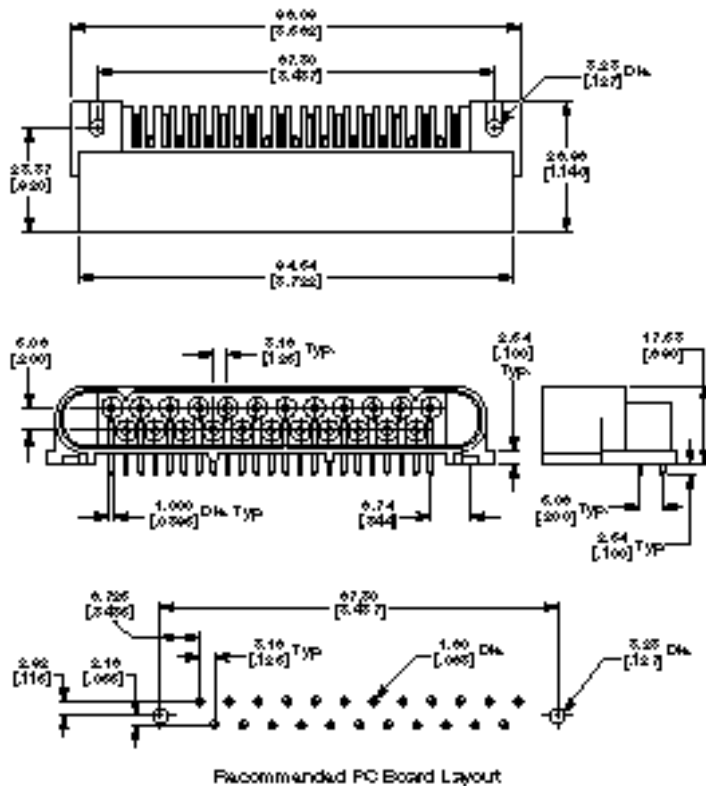


**23 Position
Receptacle Header**
Part No. 213768-1

Material and Finish

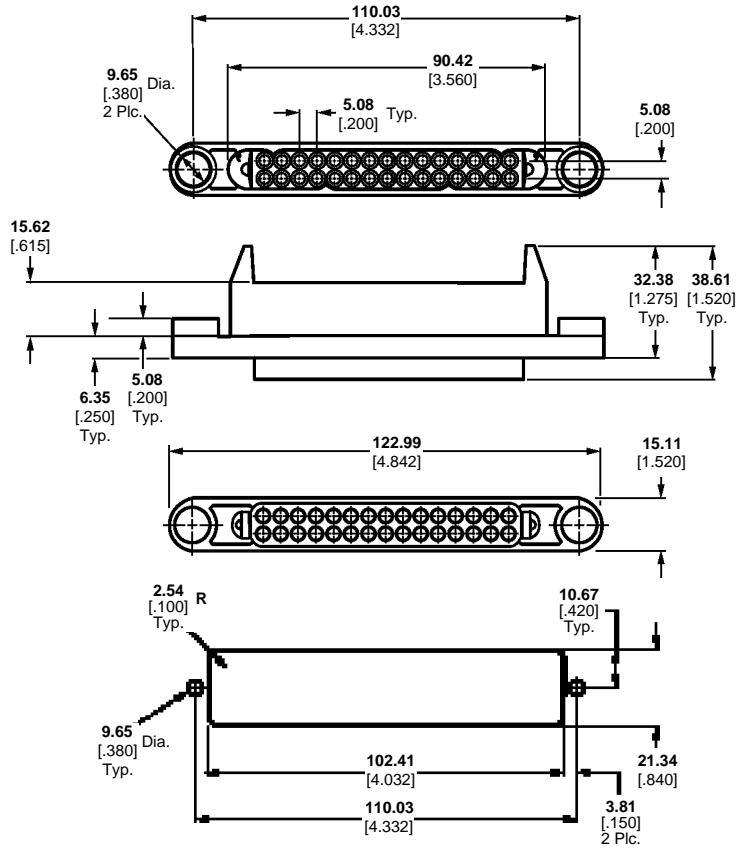
Housing—Black glass-filled thermo-plastic, 94V-0 rated

Contacts—Copper alloy duplex plated 0.00076 [0.00030] min. gold on mating end, tin-lead on termination end, with entire contact nickel underplated

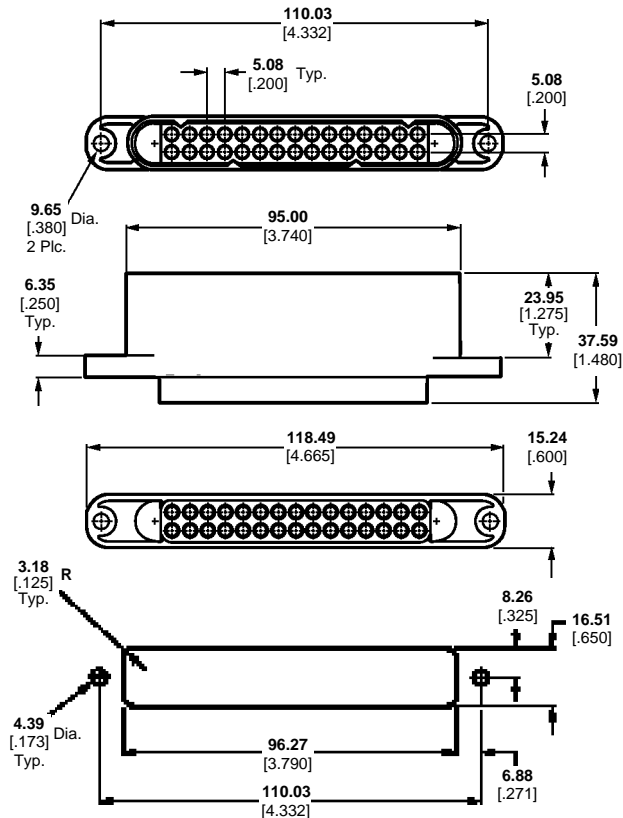


Low Profile Drawer Connectors (Continued)

**30 Position Plug Housing
(for Sockets)
Part No. 213973-1**



**30 Position Receptacle Housing
(for Pins)
Part No. 213974-1**



Square Grid Connectors

Free-Hanging and Panel Mount Connectors

Material

Red thermoplastic, 94V-0 rated

Related Product Data

Mateable PC Board Headers—page 34

Contacts—Pages 9–14

Keying Plug—Page 44

Strain Relief Kits—See below

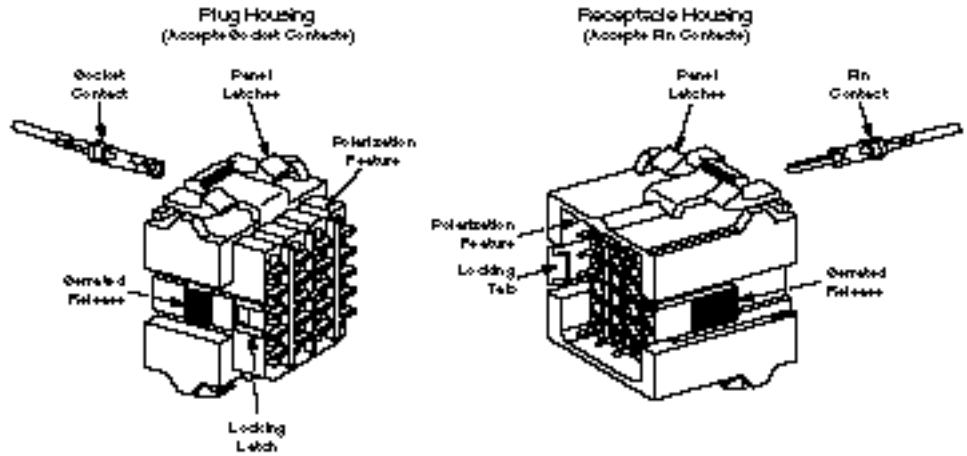
Dimensional Specifications and Recommended Panel Cutout—Pages 32 and 33

Performance Characteristics—Page 3

Technical Documents—Page 58

Product Specification—108-10033

Application Specification—114-10040



| No. of Positions | Housing Part No.* | |
|------------------|-------------------|------------|
| | Plug | Receptacle |
| 4 | 207015-1 | 207016-1 |
| 6 | 207152-1 | 207153-1 |
| 9 | 207439-1 | 207440-1 |
| 12 | 207017-1 | 207018-1 |
| 18 | 207442-1 | 207443-1 |
| 24 | 207304-1 | 207305-1 |
| 36 | 207019-1 | 207020-1 |

*Housing only, order contacts separately. See pages 9–14 for contact specifications.

Strain Relief Kits

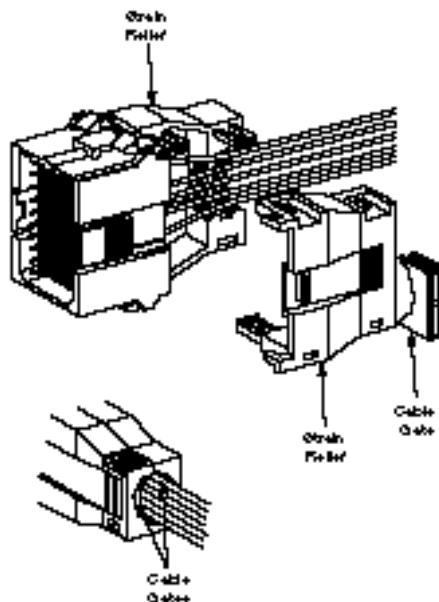
(For use with plugs and/or receptacles)

Material

Red thermoplastic, 94V-0 rated

Related Product Data

Dimensional Specifications—page 33



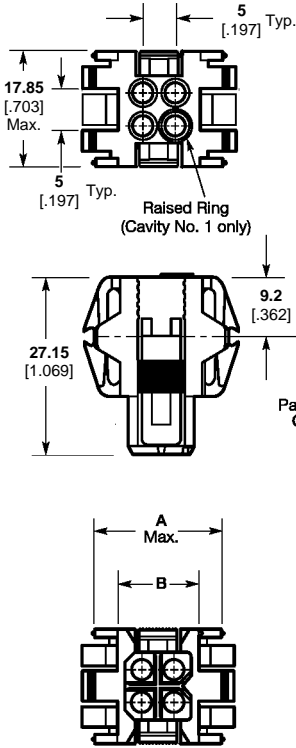
| No. of Positions (Connector) | Cable O.D. (Max.) | Strain Relief Kit No. | |
|------------------------------|-------------------|-----------------------|----------------|
| | | Individual Packs | Bulk Packaging |
| 6 | 9.5 .375 | 207600-1 | 213792-1 |
| 9 | 11.7 .460 | 207601-1 | 213793-1 |
| 12 | 13.45 .530 | 207602-1 | 213794-1 |
| 18 | 16.5 .650 | 207603-1 | 213795-1 |
| 24 | 19.05 .750 | 207088-1 | 213796-1 |
| 36 | 23.3 .918 | 207604-1 | 213797-1 |

Notes: 1. Cable gates are supplied with each strain relief kit to accommodate various cable diameters up to the maximum specified.
2. Components for all strain relief kits are packaged unassembled.

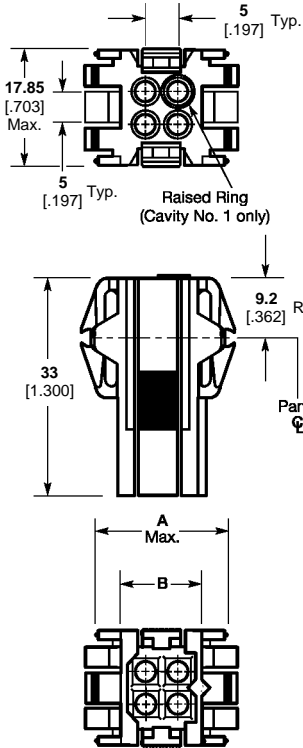
Square Grid Connector Specifications

4 and 6 Position Housings

Plug (for Sockets)

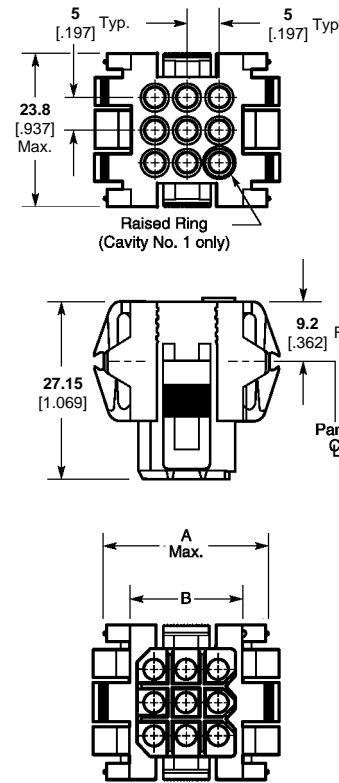


Receptacle (for Pins)

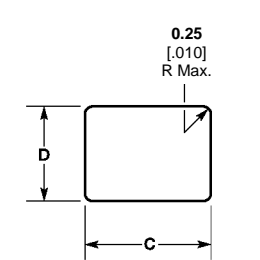
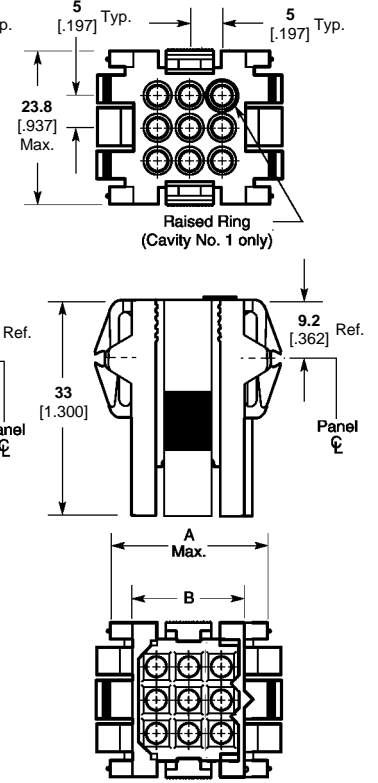


9, 12 and 18 Position Housings

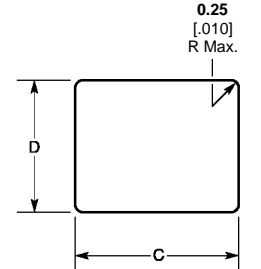
Plug (for Sockets)



Receptacle (for Pins)



Recommended Panel Cutout
(for Plug or Receptacle)



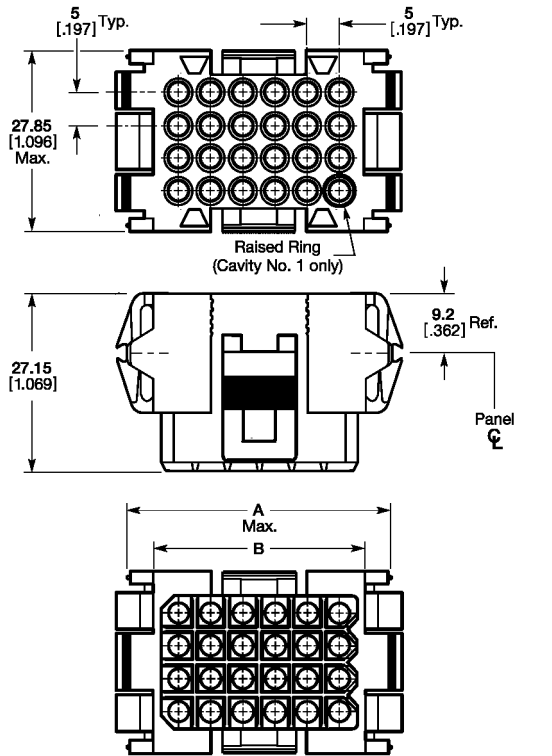
Recommended Panel Cutout
(for Plug or Receptacle)

| No. of Positions | Connector Dimensions | | Panel Cutout Dimensions | |
|------------------|----------------------|-------|-------------------------|------|
| | A | B | C | D |
| 4 | 20.1 | 12.6 | 20.57 | 18.1 |
| | .791 | .496 | .810 | .712 |
| 6 | 25.04 | 17.5 | 25.35 | 18.1 |
| | .986 | .689 | .998 | .712 |
| 9 | 24.8 | 17.5 | 25.35 | 24 |
| | .976 | .689 | .998 | .945 |
| 12 | 29.8 | 22.5 | 30.23 | 24 |
| | 1.173 | .886 | 1.190 | .945 |
| 18 | 40.45 | 32.85 | 40.77 | 24 |
| | 1.592 | 1.293 | 1.605 | .945 |

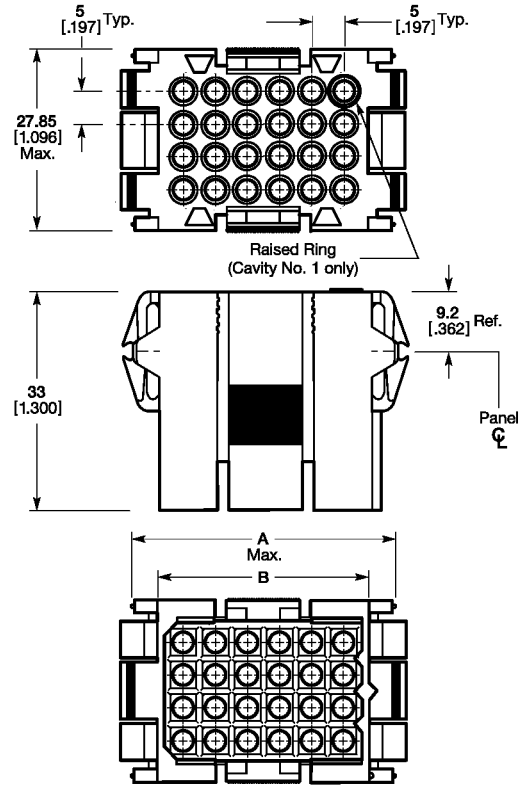
Note: Panel thickness 0.76-2.29 [.030-.090]

24 and 36 Position Housings

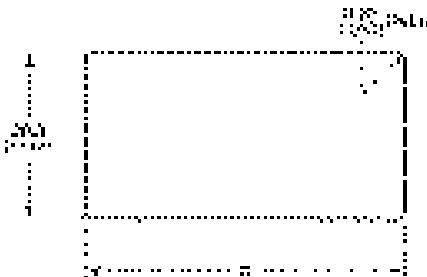
Plug (for Sockets)



Receptacle (for Pins)



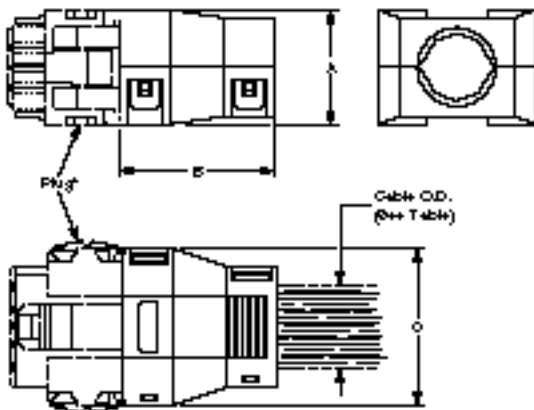
Recommended Panel Cutout (for Plug or Receptacle)



| No. of Positions | Connector Dimensions | | Panel Cutout Dimensions C |
|------------------|----------------------|----------------|---------------------------|
| | A | B | |
| 24 | 40.45 1.592 | 32.85 1.293 | 40.77 1.605 |
| 36 | 55.45 2.183 | 47.85 1.885 | 55.75 2.195 |

Note: Panel thickness 0.76-2.29 [.030-.090]

Strain Relief Kits (for 6, 9, 12, 18, 24 and 36 Position Connectors)



| No. of Positions | Dimensions | | | Cable O.D. (Max.) |
|------------------|----------------|----------------|----------------|-------------------|
| | A | B | C | |
| 6 | 17.75 .700 | 25.53 1.005 | 22.75 .896 | 9.5 .375 |
| 9 | 23.9 .940 | 32.4 1.275 | 22.75 .896 | 11.7 .460 |
| 12 | 23.9 .940 | 32.4 1.275 | 27.58 1.086 | 13.45 .530 |
| 18 | 23.9 .940 | 38.1 1.500 | 38.1 1.500 | 16.5 .650 |
| 24 | 27.94 1.100 | 38.1 1.500 | 38.1 1.500 | 19.05 .750 |
| 36 | 27.94 1.100 | 38.1 1.500 | 53.1 2.090 | 23.3 .918 |

*Plug shown for illustration purposes only. Strain Relief Kits can be used on either plug or receptacle.

Square Grid Connectors

PC Board Mount Headers

Material and Finish

Housing—Red thermoplastic, 94V-0 rated

Pin Contacts—Copper alloy, plated tin or gold duplex

Socket Contacts—Phosphor bronze, plated tin or gold duplex

Related Product Data

Mateable Free-Hanging Connectors—Page 31
(Pin and Socket Headers do not mate.)

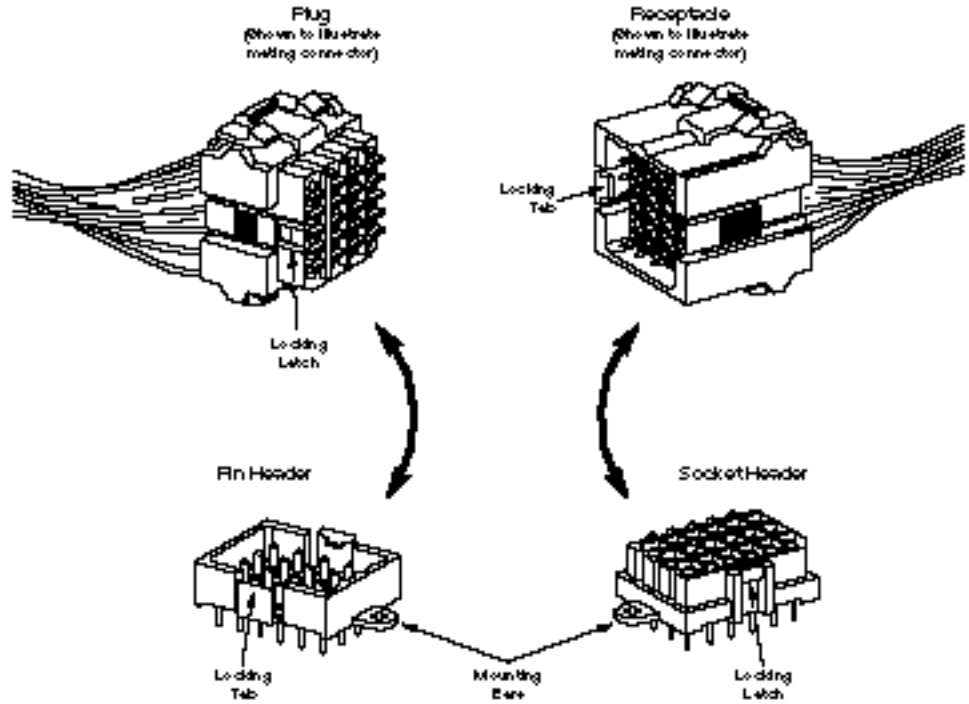
Dimensional Specifications and Recommended PC Board Layout—Pages 35–38

Performance Characteristics—Page 3

Technical Documents—Page 58

Product Specification—108-10033

Application Specification—114-10040



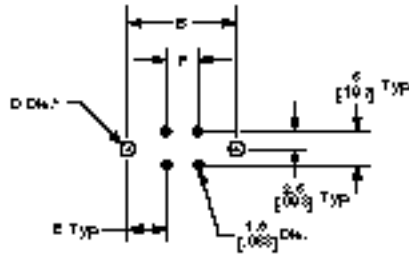
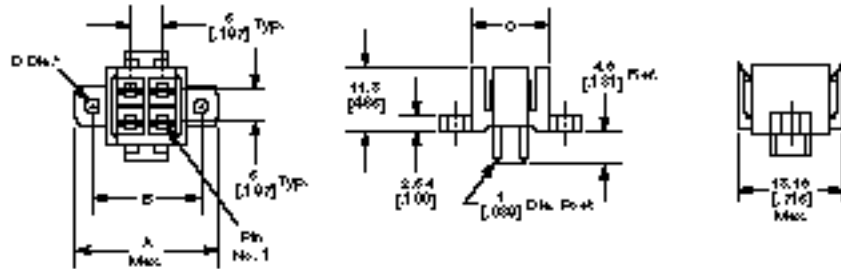
| No. of Positions | Contact Plating | Pin Header Part No. | | Mates with Plug Part No. (Page 31) | Socket Header Part No. | | Mates with Receptacle Part No. (Page 31) |
|------------------|-----------------|---------------------|-----------------------|------------------------------------|------------------------|-----------------------|--|
| | | With Mounting Ears | Without Mounting Ears | | With Mounting Ears | Without Mounting Ears | |
| 4 | Tin | 207119-1 | 207119-2 | 207015-1 | 207496-1 | 207496-2 | 207016-1 |
| | Gold* | 207119-3 | 207119-4 | | 207496-3 | 207496-4 | |
| 6 | Tin | 207158-1 | 207158-2 | 207152-1 | 207524-1 | 207524-2 | 207153-1 |
| | Gold* | 207158-3 | 207158-4 | | 207524-3 | 207524-4 | |
| 9 | Tin | 207441-1 | 207441-2 | 207439-1 | 207526-1 | 207526-2 | 207440-1 |
| | Gold* | 207441-3 | 207441-4 | | 207526-3 | 207526-4 | |
| 12 | Tin | 207120-1 | 207120-2 | 207017-1 | 207528-1 | 207528-2 | 207018-1 |
| | Gold* | 207120-3 | 207120-4 | | 207528-3 | 207528-4 | |
| 18 | Tin | 207444-1 | 207444-2 | 207442-1 | 207530-1 | 207530-2 | 207443-1 |
| | Gold* | 207444-3 | 207444-4 | | 207530-3 | 207530-4 | |
| 24 | Tin | 206763-1 | 206763-2 | 207304-1 | 207532-1 | 207532-2 | 207305-1 |
| | Gold* | 206763-3 | 206763-4 | | 207532-3 | 207532-4 | |
| 36 | Tin | 207121-1 | — | 207019-1 | 207534-1 | 207534-2 | 207020-1 |
| | Gold* | 207121-3 | 207121-4 | | 207534-3 | 207534-4 | |

*Duplex plated 0.00076 [.000030] gold on mating end, tin-lead on termination end, with entire contact nickel underplated.

Note: Pin and Socket Headers do not mate.

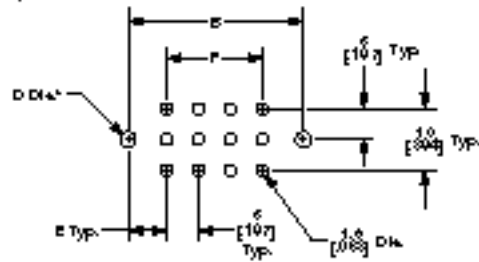
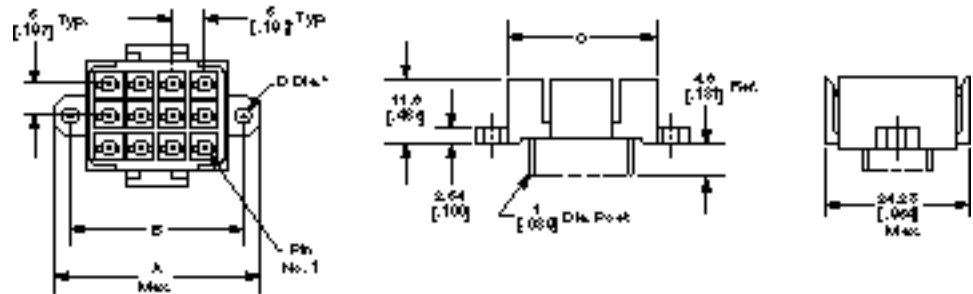
Square Grid Pin Header Specifications

4 and 6 Position Headers



Recommended PC Board Layout

9, 12 and 18 Position Headers



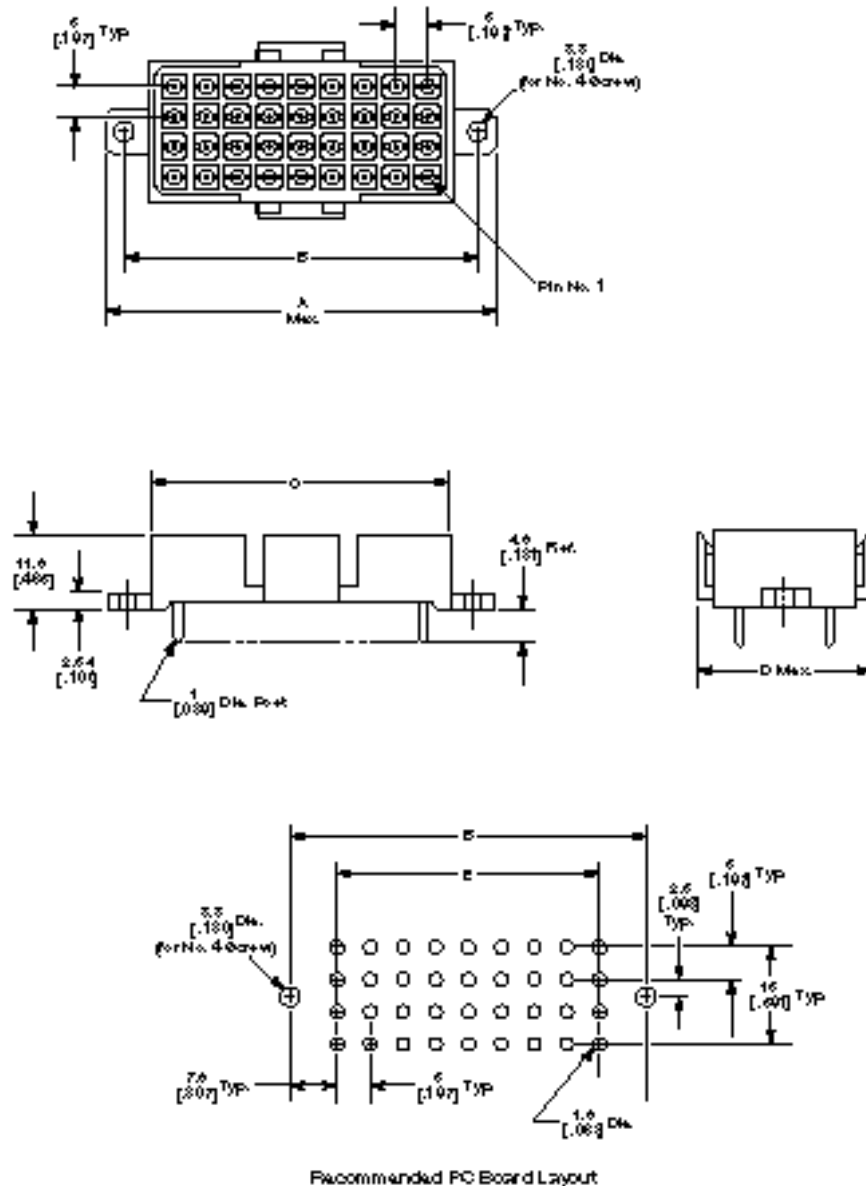
Recommended PC Board Layout

| No. of Positions | Header Dimensions | | | | PC Board Layout Dimensions | | | |
|------------------|-------------------|-------|-------|------|----------------------------|------|------|------|
| | A | B | C | D* | B | D* | E | F |
| 4 | 22.61 | 17.4 | 12.7 | 2.65 | 17.4 | 2.65 | 6.2 | 5 |
| | .890 | .685 | .500 | .104 | .685 | .104 | .244 | .197 |
| 6 | 27.69 | 22.4 | 17.6 | 2.65 | 22.4 | 2.65 | 6.2 | 10 |
| | 1.090 | .882 | .693 | .104 | .882 | .104 | .244 | .394 |
| 9 | 27.69 | 22.4 | 17.78 | 2.65 | 22.4 | 2.65 | 6.2 | 10 |
| | 1.090 | .882 | .700 | .104 | .882 | .104 | .244 | .394 |
| 12 | 32.5 | 27.3 | 22.61 | 2.65 | 27.3 | 2.65 | 6.2 | 15 |
| | 1.280 | 1.075 | .890 | .104 | 1.075 | .104 | .244 | .591 |
| 18 | 47.32 | 40.6 | 32.85 | 3.3 | 40.6 | 3.3 | 7.8 | 25 |
| | 1.863 | 1.598 | 1.293 | .130 | 1.598 | .130 | .307 | .984 |

*D Dia.—2.65 [.104] for No. 2 screw; 3.3 [.130] for No. 4 screw.

Square Grid Pin Header Specifications (Continued)

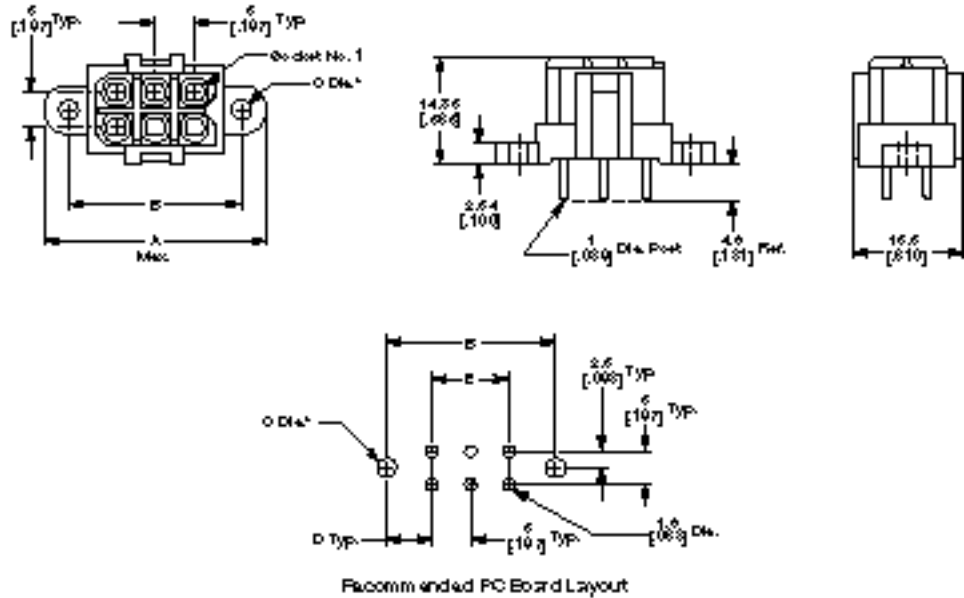
24 and 36 Position Headers



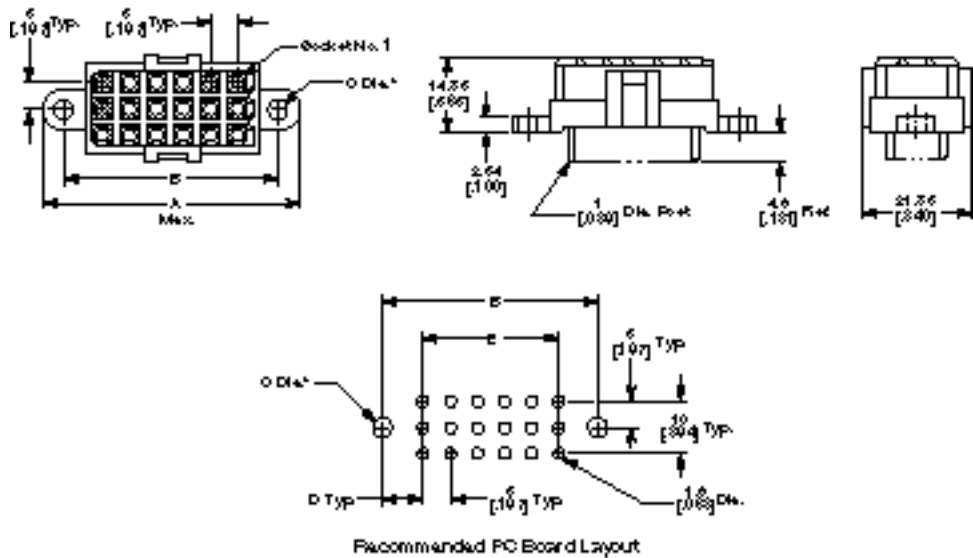
| No. of Positions | Header Dimensions | | | | PC Board Layout Dimensions | |
|------------------|-------------------|-------|-------|-------|----------------------------|-------|
| | A | B | C | D | B | E |
| 24 | 47.32 | 40.6 | 32.85 | 29.36 | 40.6 | 25 |
| | 1.863 | 1.598 | 1.293 | 1.156 | 1.598 | .984 |
| 36 | 62.31 | 55.58 | 48.01 | 29.87 | 55.58 | 40 |
| | 2.453 | 2.188 | 1.890 | 1.176 | 2.188 | 1.575 |

Square Grid Socket Header Specifications

4 and 6 Position Headers



9, 12 and 18 Position Headers

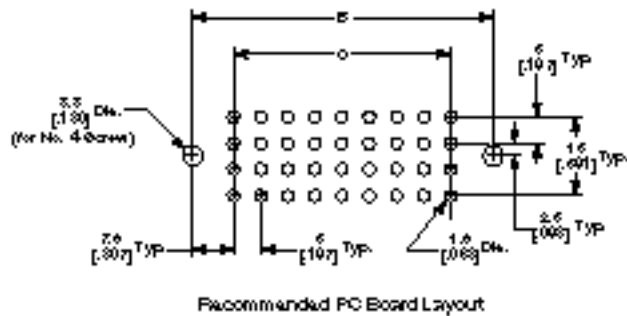
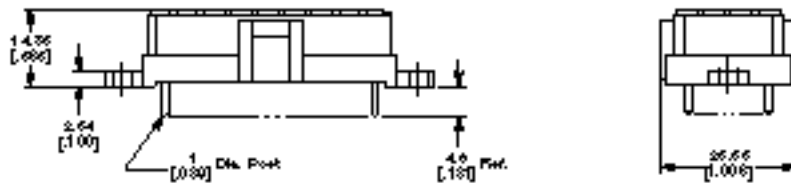
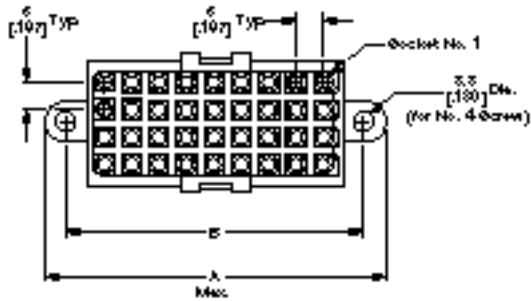


| No. of Positions | Header Dimensions | | | PC Board Layout Dimensions | | | |
|------------------|-------------------|-------|------|----------------------------|------|------|------|
| | A | B | C* | B | C* | D | E |
| 4 | 22.61 | 17.4 | 2.65 | 17.4 | 2.65 | 6.2 | 5 |
| | .890 | .685 | .104 | .685 | .104 | .244 | .197 |
| 6 | 27.69 | 22.4 | 2.65 | 22.4 | 2.65 | 6.2 | 10 |
| | 1.090 | .882 | .104 | .882 | .104 | .244 | .394 |
| 9 | 27.69 | 22.4 | 2.65 | 22.4 | 2.65 | 6.2 | 10 |
| | 1.090 | .882 | .104 | .882 | .104 | .244 | .394 |
| 12 | 32.5 | 27.3 | 2.65 | 27.3 | 2.65 | 6.2 | 15 |
| | 1.280 | 1.075 | .104 | 1.075 | .104 | .244 | .591 |
| 18 | 47.32 | 40.6 | 3.3 | 40.6 | 3.3 | 7.8 | 25 |
| | 1.863 | 1.598 | .130 | 1.598 | .130 | .307 | .984 |

*C Dia.—2.65 [.104] for No. 2 screw; 3.3 [.130] for No. 4 screw.

Square Grid Socket Header Specifications (Continued)

24 and 36 Position Headers



| No. of Positions | Header Dimensions | | PC Board Layout Dimensions | |
|------------------|-------------------|----------------|----------------------------|-------------|
| | A | B | B | C |
| 24 | 47.32 1.863 | 40.6 1.598 | 40.6 1.598 | 25 .984 |
| 36 | 62.31 2.453 | 55.58 2.188 | 55.58 2.188 | 40 1.575 |

In-Line Connectors, 5 [.197] Centerline

Free-Hanging Connectors

Material

Red thermoplastic, 94V-0 rated

Related Product Data

Mateable PC Board Mount Headers—Pages 41 and 48-51

Contacts—Pages 9-14

Keying Plug—Page 44

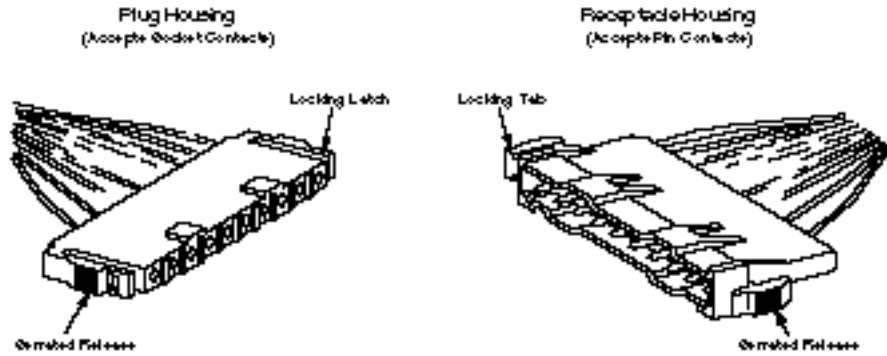
Dimensional Specifications—Page 40

Performance Characteristics—Page 3

Technical Documents—Page 58

Product Specification—108-10033

Application Specification—114-10040



| No. of Positions | Housing Part No.* | |
|---------------------|-------------------|------------|
| | Plug | Receptacle |
| 1 (Positive Latch) | 207535-1** | 207535-1** |
| 1 (Breakaway Latch) | 211076-1** | 211076-1** |
| 3 | 207360-1 | 207359-1 |
| 6 | 207377-1 | 207376-1 |
| 10 | 207396-1 | 207397-1 |
| 16 | 207542-1 | 207543-1 |

*Housing only, order contacts separately. See pages 9-14 for contact specifications.

**Hermaphroditic housing accepts pins or sockets and mates with itself.

Note: 1-Position Housings with Positive Latch NOT designed to be unmated; Breakaway Latch designed to be unmated.

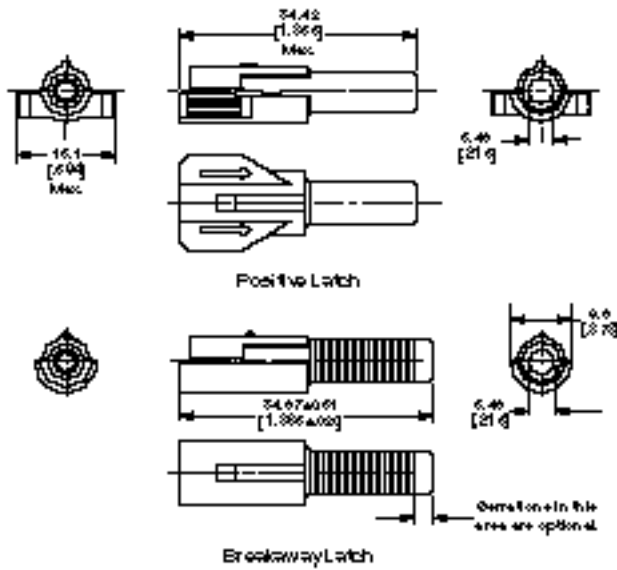
1 position Housing (Breakaway Latch shown)

(Hermaphroditic Housing Accepts Pin or Sockets and Mates With Itself.)



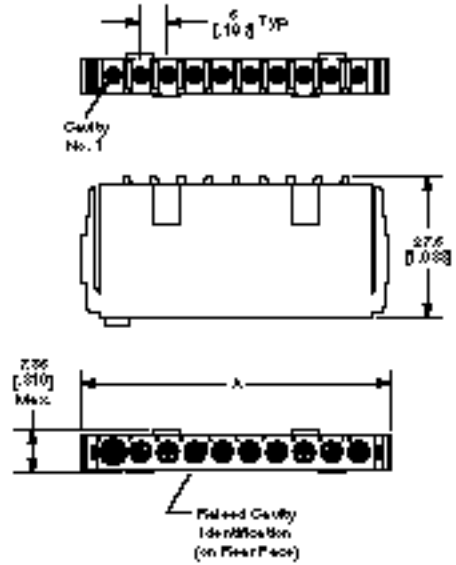
In-Line Connector Specifications, 5 [.197] Centerline

Single Position Hermaphroditic Housings



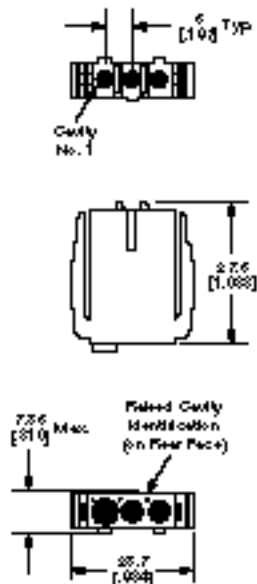
6, 10 and 16 Position Housings

Plug (for Sockets)

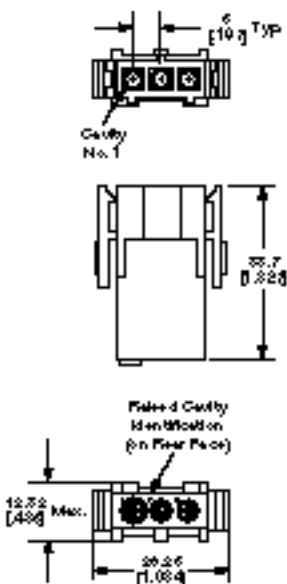


3 Position Housings

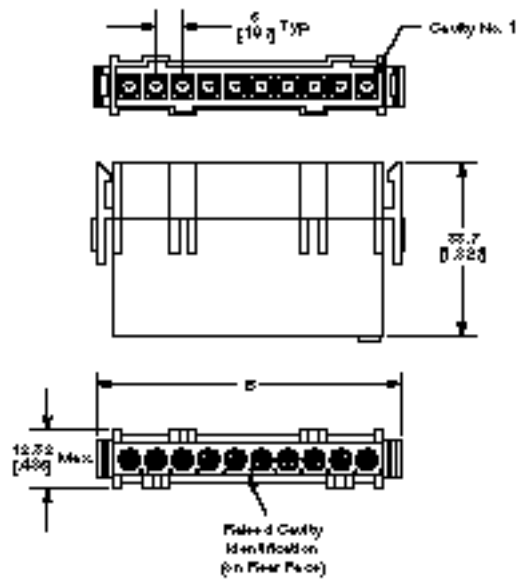
Plug (for Sockets)



Receptacle (for Pins)



Receptacle (for Pins)



| No. of Positions | Dimensions | |
|------------------|------------|-------|
| | A | B |
| 6 | 38.7 | 41.3 |
| | 1.524 | 1.625 |
| 10 | 58.7 | 61.3 |
| | 2.312 | 2.413 |
| 16 | 89.79* | 91.19 |
| | 3.535 | 3.59 |

*A Dim. is Max. for 16-position housing.

In-Line Connectors, 5 [.197] Centerline

PC Board Mount Headers

Material and Finish

Housing—Red thermoplastic, 94V-0 rated

Pin Contacts—Copper alloy, plated tin or gold duplex

Socket Contacts—Phosphor bronze, plated tin or gold duplex

Related Product Data

Mateable Free-Hanging Connectors—Page 39 (Pin and Socket Headers do not mate.)

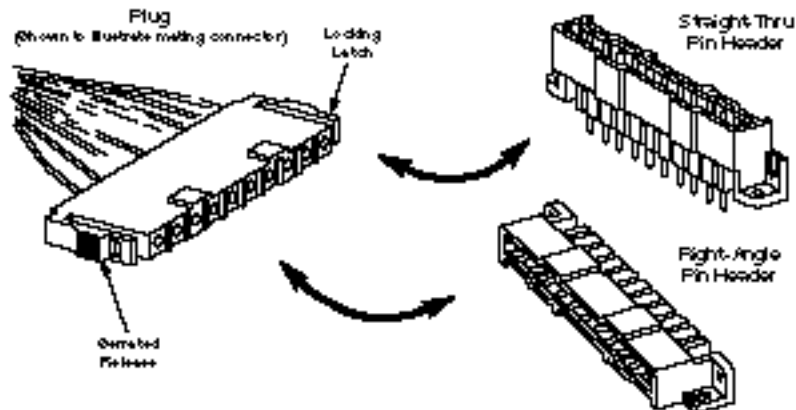
Dimensional Specifications and Recommended PC Board Layout—Pages 42, 43

Performance Characteristics—Page 3

Technical Documents—Page 58

Product Specification—108-10033

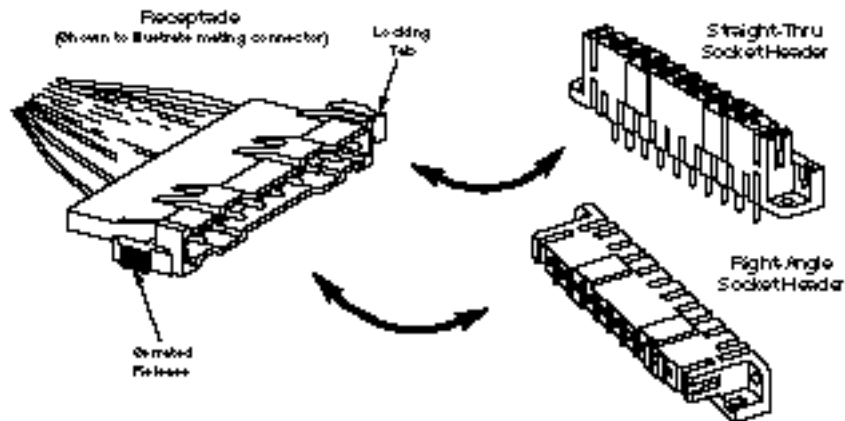
Application Specification—114-10040



| No. of Positions | Contact Plating | Pin Header Part No. | | Mates with Plug Part No. (Page 39) |
|------------------|-----------------|---------------------|-------------|------------------------------------|
| | | Straight-Thru | Right-Angle | |
| 3 | Tin | 207365-1 | 207541-1 | 207360-1 |
| | Gold* | 207365-3 | 207541-3 | |
| 6 | Tin | 207583-1 | 207378-1 | 207377-1 |
| | Gold* | 207583-3 | 207378-3 | |
| 10 | Tin | 207584-1 | 207398-1 | 207396-1 |
| | Gold* | 207584-3 | 207398-3 | |
| 16 | Tin | 207599-1 | 207544-1 | 207542-1 |
| | Gold* | 207599-3 | 207544-3 | |

*Duplex plated 0.00076 [.000030] gold on mating end, tin-lead on termination end, with entire contact nickel underplated.

Note: Pin and Socket Headers do not mate.



| No. of Positions | Contact Plating | Socket Header Part No. | | Mates with Receptacle Part No. (Page 39) |
|------------------|-----------------|------------------------|-------------|--|
| | | Straight-Thru | Right-Angle | |
| 3 | Tin | 207609-1 | 207608-1 | 207359-1 |
| | Gold* | 207609-3 | 207608-3 | |
| 6 | Tin | 207611-1 | 207610-1 | 207376-1 |
| | Gold* | 207611-3 | 207610-3 | |
| 10 | Tin | 207613-1 | 207612-1 | 207397-1 |
| | Gold* | 207613-3 | 207612-3 | |
| 16 | Tin | 207615-1 | 207614-1 | 207543-1 |
| | Gold* | 207615-3 | 207614-3 | |

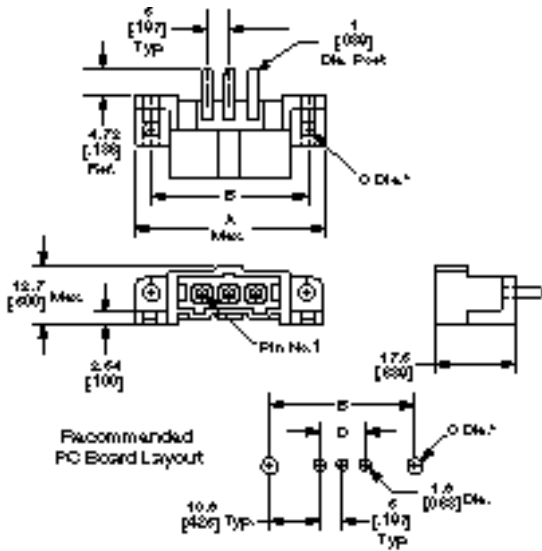
*Duplex plated 0.00076 [.000030] gold on mating end, tin-lead on termination end, with entire contact nickel underplated.

Note: Pin and Socket Headers do not mate.

In-Line Pin Header Specifications, 5 [.197] Centerline

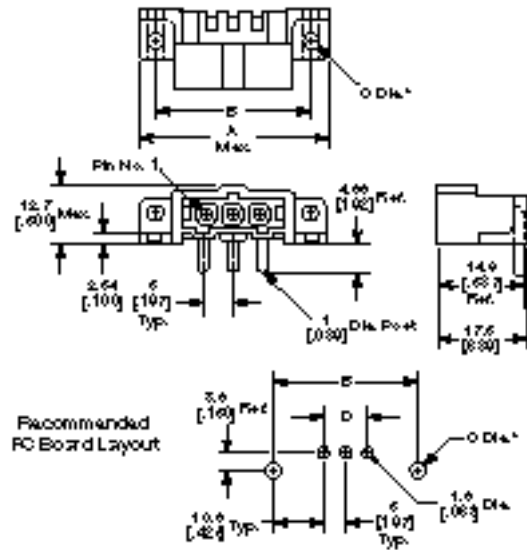
Straight-Thru

3 Position Header

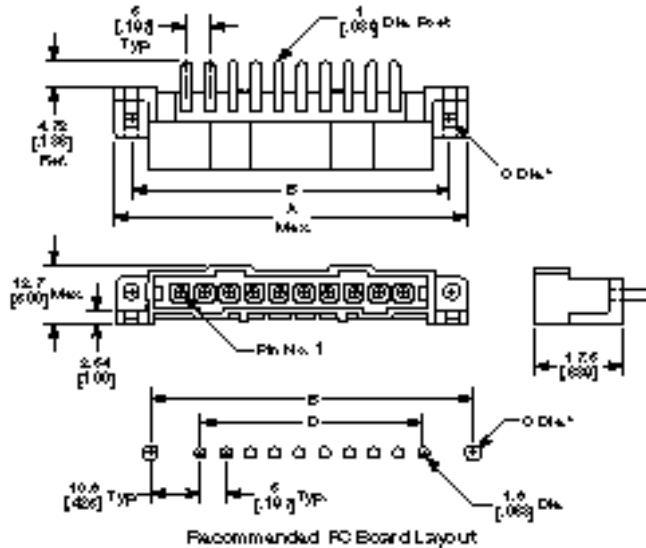


Right-Angle

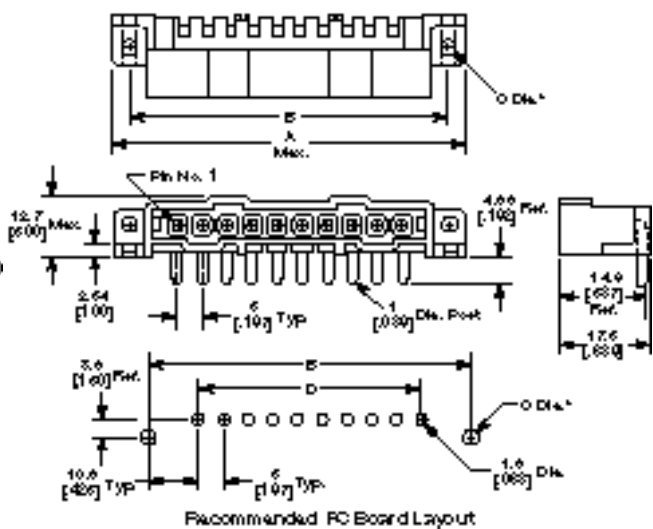
3 Position Header



6, 10 and 16 Position Headers



6, 10 and 16 Position Headers



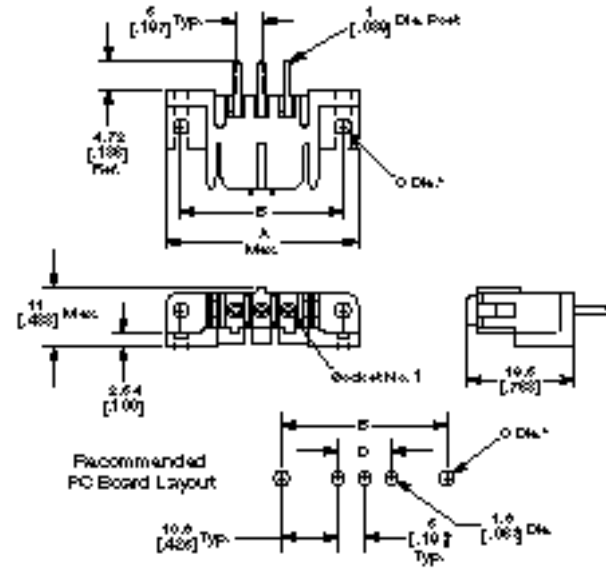
| No. of Positions | Header Dimensions | | | PC Board Layout Dimensions | | |
|------------------|-------------------|---------------|--------------|----------------------------|--------------|-------------|
| | A | B | C* | B | C* | D |
| 3 | 36.86 1.451 | 31.6 1.244 | 2.65 .104 | 31.6 1.244 | 2.65 .104 | 10 .394 |
| 6 | 51.87 2.042 | 46.6 1.834 | 2.65 .104 | 46.6 1.834 | 2.65 .104 | 25 .984 |
| 10 | 71.86 2.829 | 66.6 2.622 | 2.85 .112 | 66.6 2.622 | 2.85 .112 | 45 1.772 |
| 16 | 102.64 4.041 | 96.6 3.803 | 2.85 .112 | 96.6 3.803 | 2.85 .112 | 75 2.953 |

*C Dia.—2.65 [.104] for No. 2 screw; 2.85 [.112] for No. 3 screw.

In-Line Socket Header Specifications, 5 [.197] Centerline

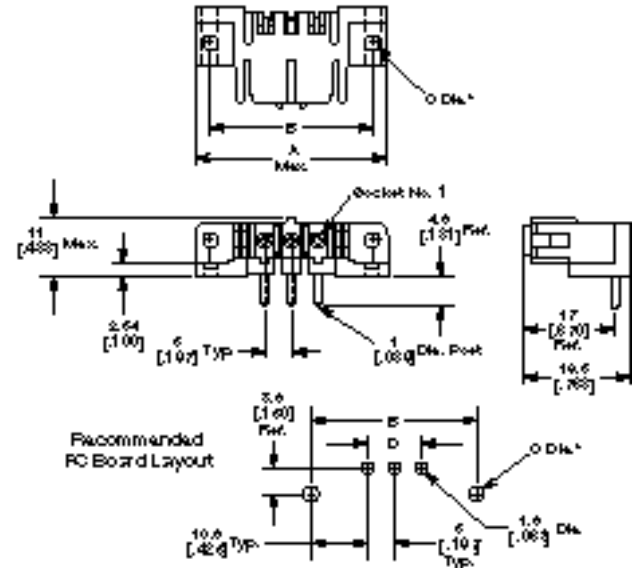
Straight-Thru

3 Position Header

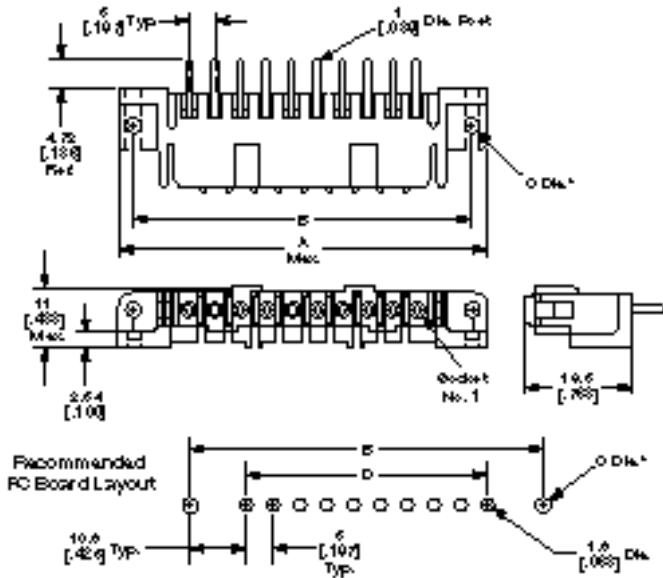


Right-Angle

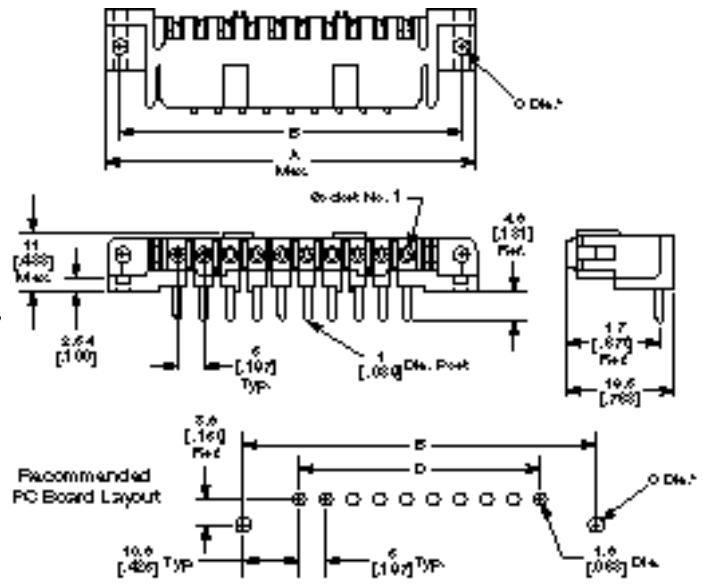
3 Position Header



6, 10 and 16 Position Headers



6, 10 and 16 Position Headers



| No. of Positions | Header Dimensions | | | PC Board Layout Dimensions | | |
|------------------|-------------------|---------------|--------------|----------------------------|--------------|-------------|
| | A | B | C* | B | C* | D |
| 3 | 36.55 1.439 | 31.6 1.244 | 2.65 .104 | 31.6 1.244 | 2.65 .104 | 10 .394 |
| 6 | 51.59 2.031 | 46.6 1.834 | 2.65 .104 | 46.6 1.834 | 2.65 .104 | 25 .984 |
| 10 | 71.6 2.819 | 66.6 2.622 | 2.85 .112 | 66.6 2.622 | 2.85 .112 | 45 1.772 |
| 16 | 101.78 4.007 | 96.6 3.803 | 2.85 .112 | 96.6 3.803 | 2.85 .112 | 75 2.953 |

*C Dia.—2.65 [.104] for No. 2 screw; 2.85 [.112] for No. 3 screw.

In-Line Connectors, 5.08 [.200] Centerline

Free-Hanging Connector and PC Board Mount Pin Header

Material and Finish

Connector

Red thermoplastic, 94V-0 rated

Header

Housing—Red thermoplastic, 94V-0 rated

Contact—Copper alloy, plated tin or gold duplex

Related Product Data

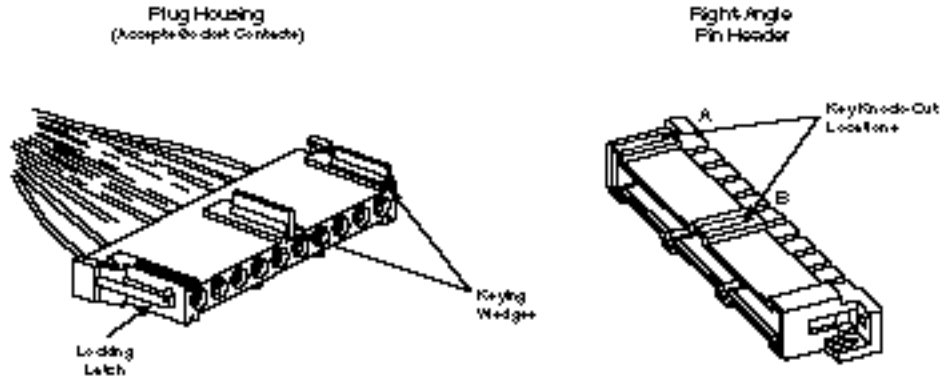
Contacts—Pages 9–14

Keying Plug—See Below

Dimensional Specifications and Recommended PC Board Layout—Pages 45–47

Performance Characteristics—Page 3

Technical Documents—Page 58

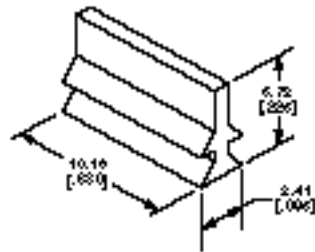


| No. of Positions | In-Line Connector Plug Part No.* | Right-Angle Pin Header | | |
|------------------|----------------------------------|------------------------|-------------------|--|
| | | Contact Plating | Standard Part No. | Keyed Part No. |
| 6 | 208117-1 | Tin | 208116-1*** | — |
| 10 | 208404-1 | Tin | 208403-1 | 1-208403-1 ¹ , 2-208403-1 ² |
| 19 | 208100-1 | Tin | 208099-1 | — |
| | | Gold** | 212630-1 | — |

*Housing only, order contacts separately. See pages 9–14 for contact specifications.
 **Duplex plated 0.00076 [.00030] gold on mating end, tin-lead on termination end, with entire contact nickel underplated.
 ***Longer tail version also available.
¹Location A knocked out.
²Location B knocked out.

Keying Wedge
Part No. 208400-1

(for use with In-Line Plug Connectors, above)



Keying Plugs

Keying Plugs
 (for use with all types)

Material
 Nylon

Related Product Data

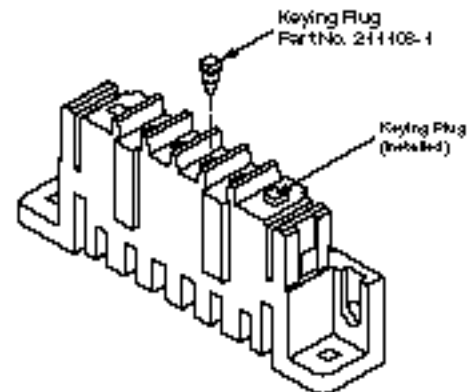
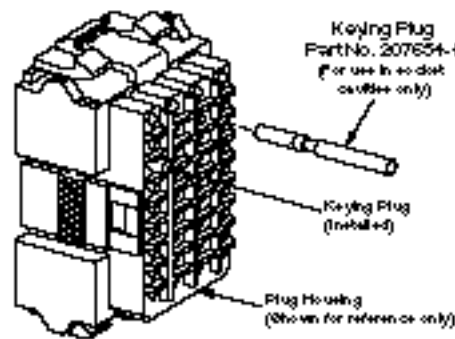
Used with:
Square Grid Connectors—Pages 31–34

In-Line Connectors—Pages 39–41

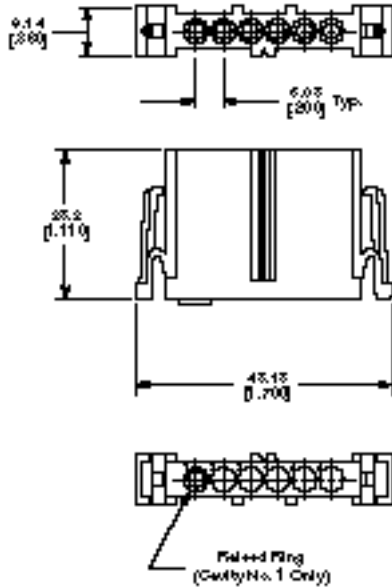
Drawer Connectors—Pages 18, 19

For Plug Housings

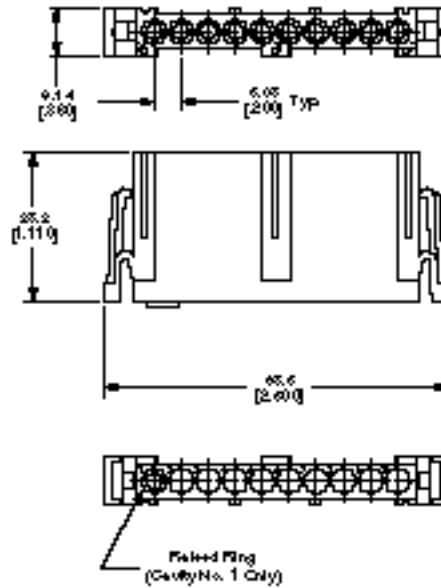
For Socket Headers



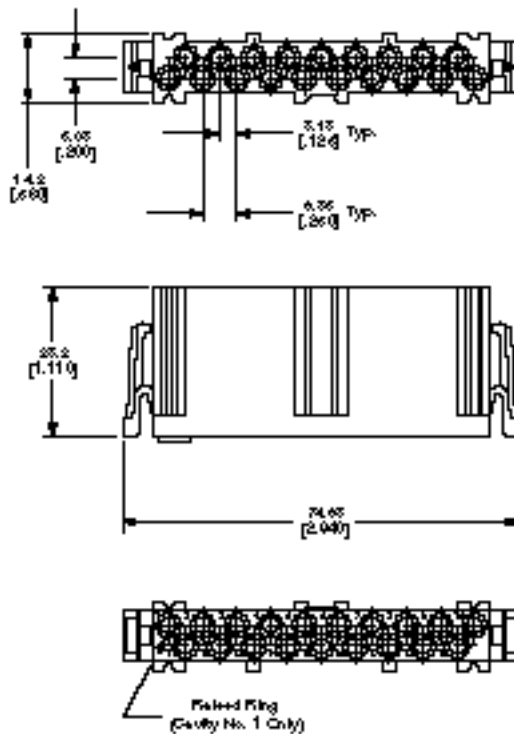
6 Position Plug Housing
(for Sockets)



10 Position Plug Housing
(for Sockets)

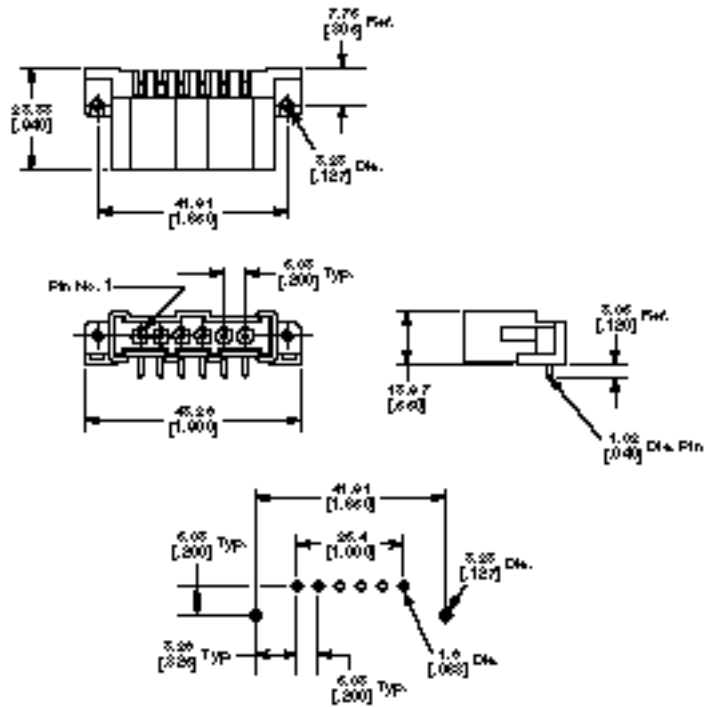


19 Position Plug Housing
(for Sockets)



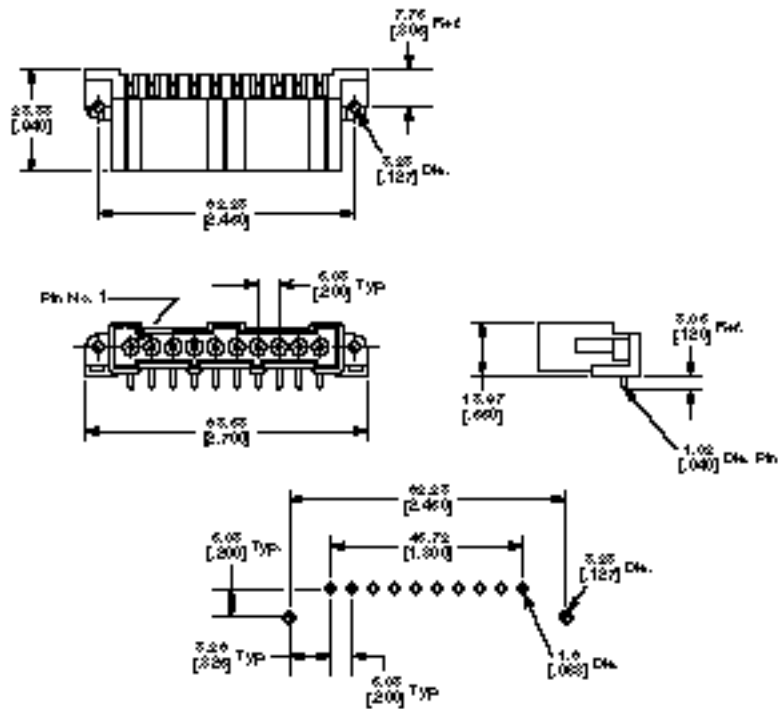
In-Line Right-Angle Pin Header Specifications, 5.08 [.200] Centerline

6 Position Header



Recommended PC Board Layout

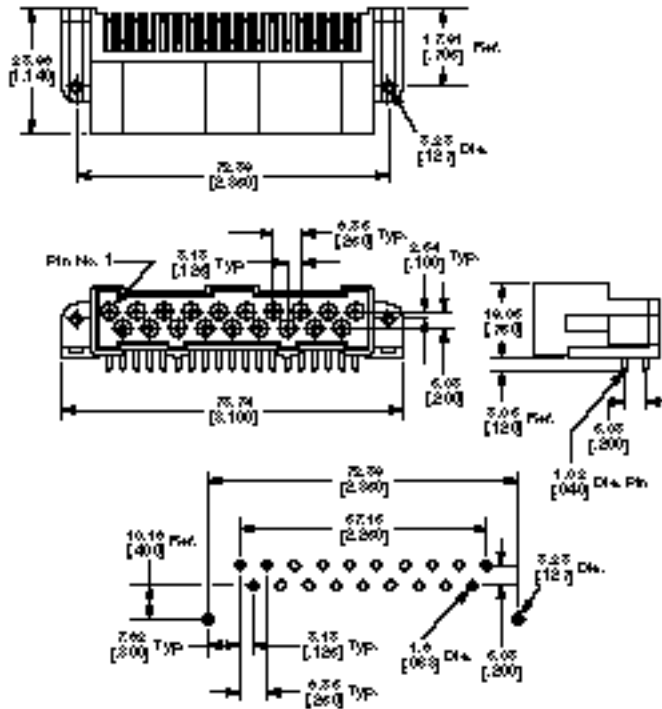
10 Position Header



Recommended PC Board Layout

In-Line Right-Angle Pin Header Specifications, 5.08 [.200] Centerline (Continued)

19 Position Header



Recommended PC Board Layout

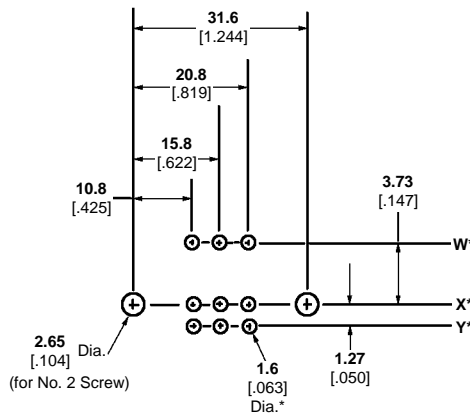
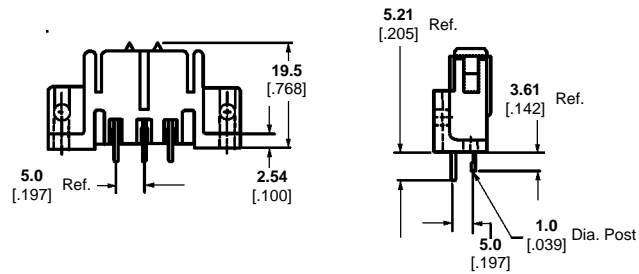
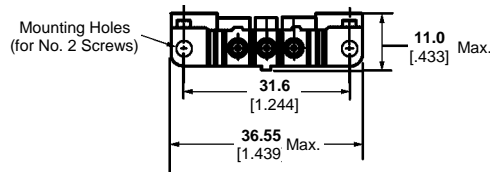
In-Line Coaxial Socket Headers, Straight-Thru (PC Board Mount)

**3 Circuit Assembly
Part No. 208708-1**

**Material and Finish
(Coaxial Contacts)**

Center Conductor—Copper Alloy plated 0.00127 [.000050] gold over 0.00076 [.000030] nickel

Outer Shell—Copper alloy, plated 0.00038 [.000015] gold over 0.00127 [.000050] nickel



Recommended PC Board Layout

*Drill 1.6 [.063] Dia. holes in rows "W" and "Y" for subminiature coaxial contacts; and in row "X" only for power contacts.

Notes: 1. All cavities are preloaded with subminiature coaxial socket contacts.
2. 3 circuit assembly mates with in-line receptacle. **Part No. 207359-1** (page 39).

In-Line Coaxial Socket Headers, Straight-Thru (PC Board Mount) (Continued)

10 Position Circuit Assemblies

Material and Finish

Coaxial Contacts

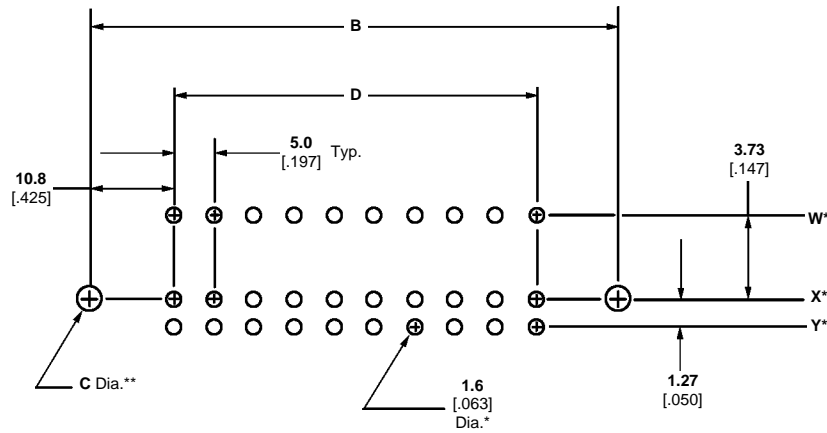
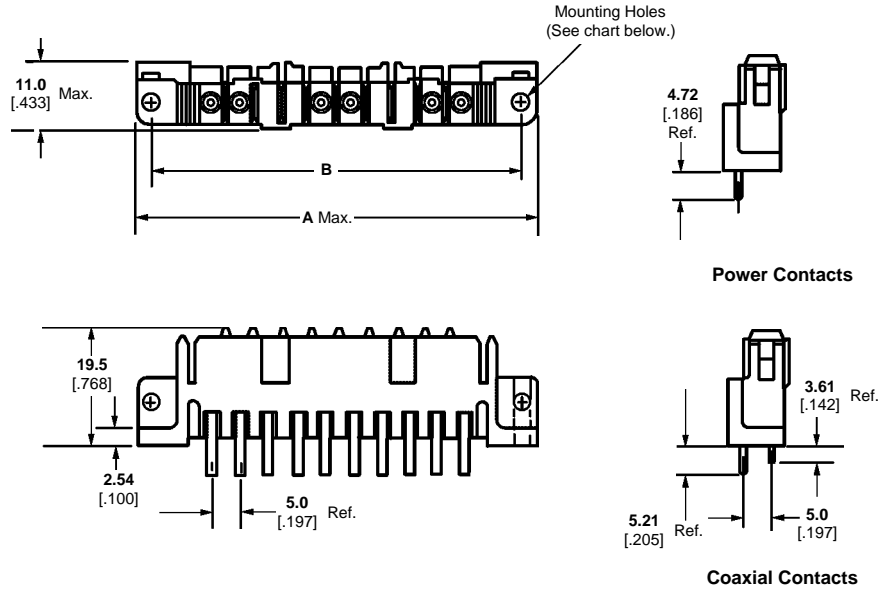
Center Conductor—Copper Alloy plated 0.00127 [.000050] gold over 0.00076 [.000030] nickel

Outer Shell—Copper alloy, plated 0.00038 [.000015] gold over 0.00127 [.000050] nickel

Power Contacts

Body—Copper Alloy plated 0.00076 [.000030] gold on mating area, 0.00381 [.000150] tin-lead on remainder, both over 0.00127 [.000050] nickel

Hood—Stainless steel



Recommended PC Board Layout

PC Board Layout

| No. of Positions | Dimensions | | |
|------------------|---------------|--------------|-------------|
| | B | C** | D |
| 10 | 66.6 2.622 | 2.85 .112 | 45 1.772 |

**C Dia. = 2.85 [.112] for No. 3 Screw.

In-Line Coaxial Socket Headers, Straight-Thru

| No. of Positions | Dimensions | | Mounting Hole (for Screw Size) | Cavity Loading | | Socket Header Part No. | Mates with In-Line Receptacle Part No. |
|------------------|------------|-------|--------------------------------|------------------|----------------|------------------------|--|
| | A | B | | Coaxial Contacts | Power Contacts | | |
| 10 | 71.6 | 66.6 | 3 | All | — | 208309-1 | 207397-1 (page 39) |
| | 2.869 | 2.622 | | 3, 8 thru 10 | 1, 2, 4 thru 7 | 208309-2 | |

*Drill 1.6 [.063] Dia. holes in rows "W" and "Y" for subminiature coaxial contacts; and in row "X" only for power contacts.

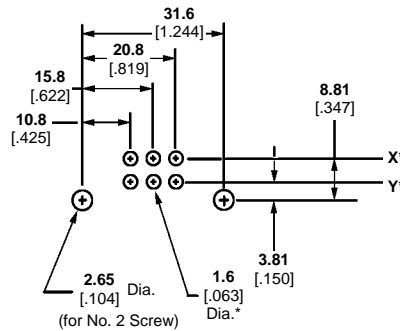
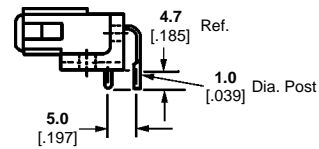
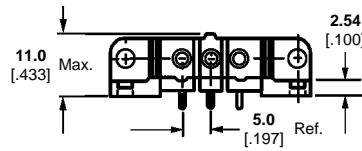
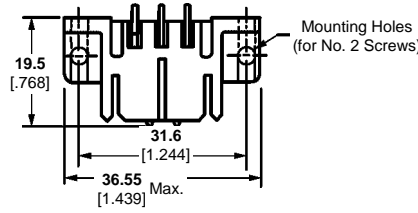
In-Line Coaxial Socket Headers, Right-Angle (PC Board Mount) (Continued)

**3 Circuit Assembly
Part No. 208222-2**

**Material and Finish
Coaxial Contacts**

Center Conductor—Copper Alloy plated 0.00127 [.000050] gold over 0.00076 [.000030] nickel

Outer Shell—Copper alloy, plated 0.00038 [.000015] gold over 0.00127 [.000050] nickel



Recommended PC Board Layout

*Drill 1.6 [.063] Dia. holes in rows "X" and "Y" for subminiature coaxial contacts.

Notes: 1. All cavities are preloaded with subminiature coaxial socket contacts.
2.3 circuit assembly mates with in-line receptacle. **Part No. 207359-1** (page 39).

In-Line Coaxial Socket Headers, Right-Angle (PC Board Mount) (Continued)

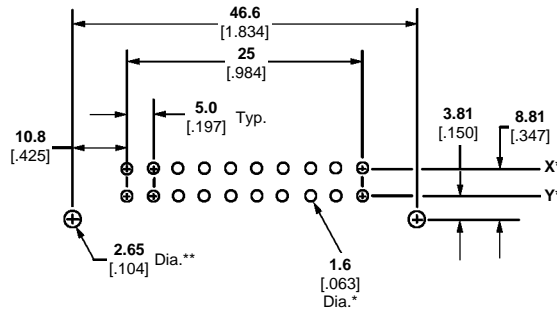
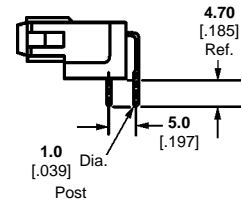
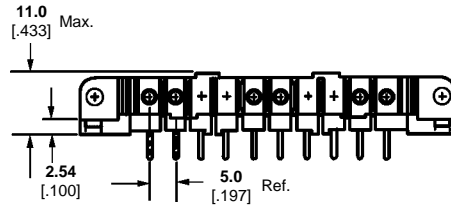
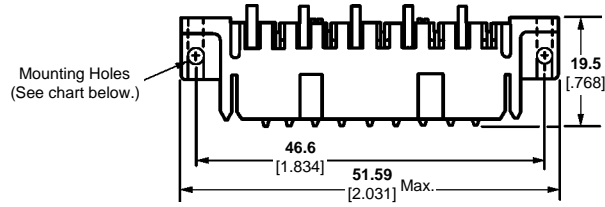
**6 Circuit Assembly
Part No. 208212-3**

Material and Finish

Coaxial Contacts

Center Conductor—Copper alloy plated 0.00127 [0.00050] gold over 0.00076 [0.00030] nickel

Outer Shell—Copper alloy, plated 0.00038 [0.00015] gold over 0.00127 [0.00050] nickel



Recommended PC Board Layout

*Drill 1.6 [0.063] Dia. holes in rows "X" and "Y" for subminiature coaxial contacts; and in row "Y" only for power contacts.

**Dia. = 2.65 [0.104] for No. 2 Screw.

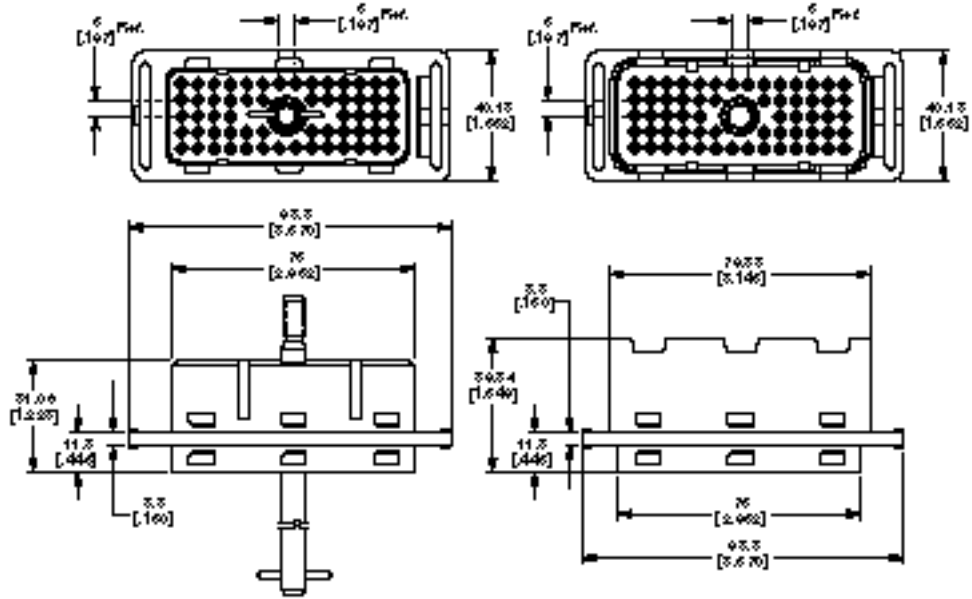
Notes: 1. All cavities are preloaded with subminiature coaxial socket contacts.
2.6 circuit assembly mates with in-line receptacle. **Part No. 207376-1** (page 39).

Rectangular Connectors

62 Position Rectangular Connector (Panel Mount)

Material

Black thermoplastic, 94V-0 rated



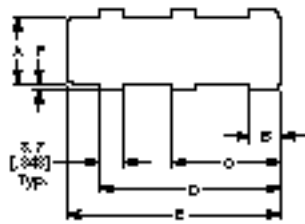
Rectangular Connector

| Mating Half | With Male Jackscrew | With Female Jackscrew Threads | Pin Headers |
|-------------|-----------------------|-------------------------------|---|
| Plug | 208334-4 ¹ | 208627-1 ² | — |
| Receptacle | 208628-1 | — | 211580-2 (19.76 [.778] posts) 211580-3 (3.56 [.140] posts) |

¹Mates with 211580-2 or 211580-3.
²Mates with 208628-1.

Note: Housings shown with jackscrew in plug and female jackscrew threads in receptacle. Either half can be equipped with female jackscrew threads or jackscrew as necessary.

Recommended Panel Cutout for Front & Rear Mounted Plug and Rear Mounted Receptacle



Recommended Panel Cutout (for Plug or Receptacle)

| Panel Thickness | Dimensions* | | | | | |
|-----------------|-------------|------|-------|-------|-------|------|
| | A | B | C | D | E | F |
| 0.8–1.4 | 29.9 | 13.3 | 41.7 | 68 | 82.7 | 2.6 |
| .031–.055 | 1.177 | .524 | 1.642 | 2.677 | 3.256 | .102 |
| 1.4–2 | 32.2 | 13.3 | 41.7 | 68 | 82.7 | 1.6 |
| .055–.078 | 1.268 | .524 | 1.642 | 2.677 | 3.256 | .063 |

Recommended Panel Cutout for Front Mounted Receptacle

| Panel Thickness | Dimensions* | | | | | |
|-----------------|-------------|------|-------|-------|-------|------|
| | A | B | C | D | E | F |
| 0.8–1.4 | 35.4 | 15.9 | 44.3 | 70.2 | 85.4 | 2.6 |
| .031–.055 | 1.394 | .626 | 1.744 | 2.764 | 3.362 | .102 |
| 1.4–2 | 37.7 | 15.9 | 44.3 | 70.2 | 85.4 | 1.6 |
| .055–.078 | 1.484 | .626 | 1.744 | 2.764 | 3.362 | .063 |

*All dimensional tolerances listed are +0.3 [.012, -.001].

Rectangular Connectors (Continued)

**62 Position PC Pin Headers
(Mates with Plug
Part No. 208334-4)**

Material

Black thermoplastic, 94V-0 rated

Related Product Data

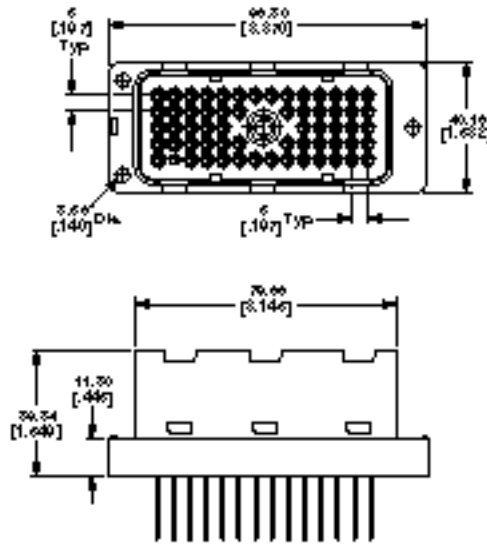
Mateable Plug—Page 52

Performance Characteristics—
Page 3

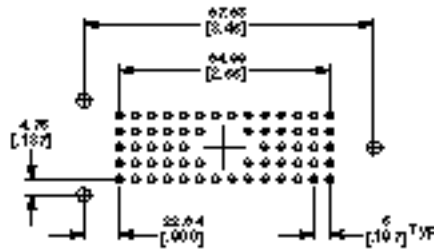
Technical Documents—Page 58

Product Specification—108-10033

Application Specification—
114-10040



Part No. 244580-2 with posts 10.75 [0.778]
Part No. 244580-3 with posts 3.56 [0.140]



Recommended PC Board Layout

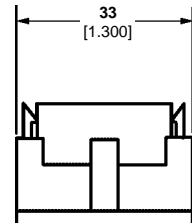
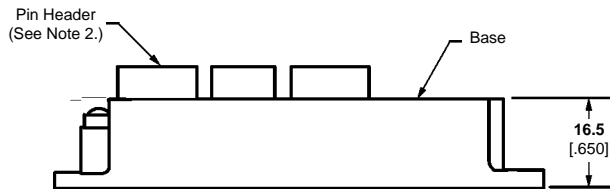
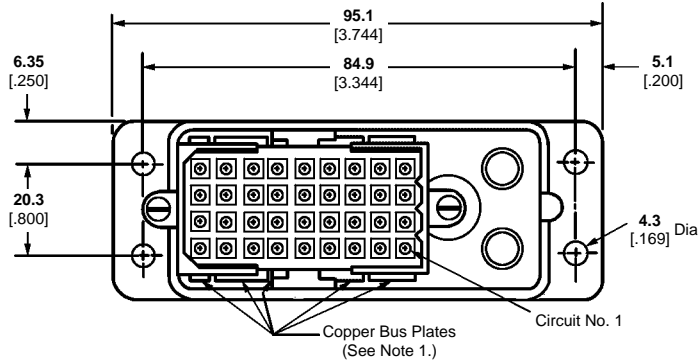
Commoning Connectors

Product Facts

- 36-circuit commoning system
- Choice of bussing configurations: full bus and split bus of 8-8-8-8-4. Other arrangements are available, consult Tyco Electronics.
- Compact design: 95.1 [3.744] x 33 [1.300]
- Mounts onto machine frame and other panel areas

Material and Finish

Contacts—Copper alloy, tin plated



- Notes:**
1. See chart below for bus configurations.
 2. These connectors mate with 36-circuit Square Grid Plug **Part No. 207019-1** (page 31).
 3. Dimensional tolerances are not illustrated. This information is available on engineering drawings; use product part number when ordering drawings.

| Bus Configuration | Commoning Arrangements | Part Number |
|--------------------|------------------------|-------------|
| Split 8-8-8-8-4 | 1 thru 8 | 208062-1 |
| | 9 thru 16 | |
| | 17 thru 24 | |
| | 25 thru 32 | |
| | 33 thru 36 | |
| Full | All Circuits Common | 208062-3 |

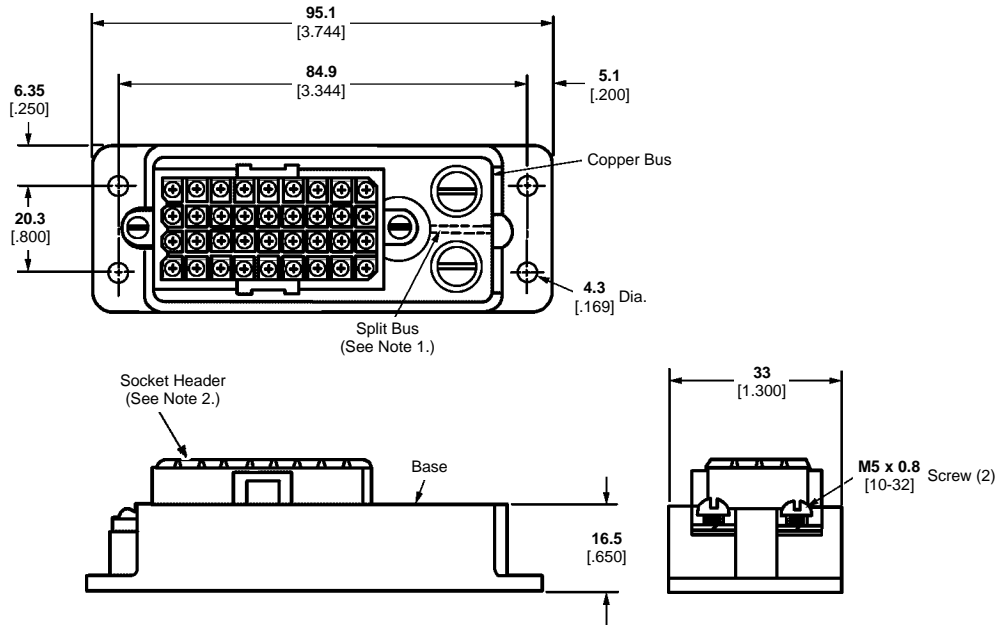
Power Distribution Connectors

Product Facts

- 36-circuit power distribution system
- High current capability
- Compact design: 95.1 [3.744] x 33 [1.300]
- Accommodates one or two voltages (with split bus)

| Bus Configuration | Contact Plating | Connector Part No. |
|----------------------------|-----------------------------------|--------------------|
| Full Bus | Tin | 208063-1 |
| Split Bus (See Note 1.) | Tin | 208063-2 |
| | Sel. Gold/ Nickel ¹ | 208063-4 |

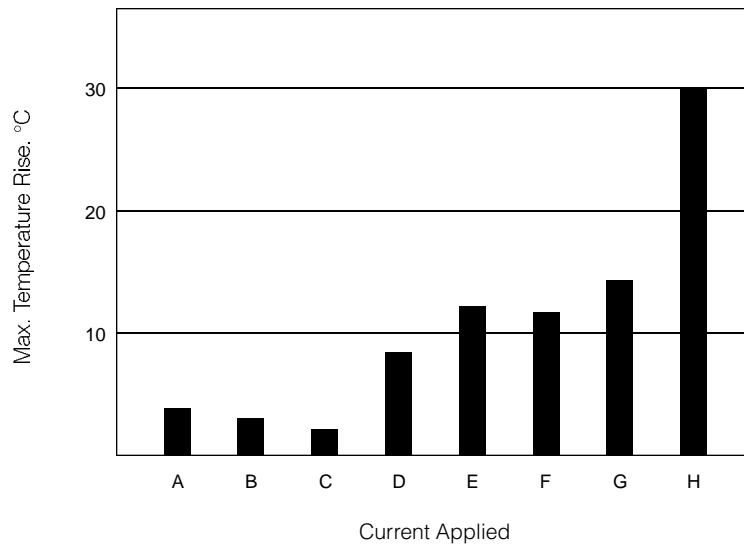
¹0.00076 [.000030] gold on mating area, 0.00381 [.000150] tin-lead on remainder, both over 0.00127 [.000050] nickel.



- Notes:** 1. Copper bus for **Part Nos. 208063-2** and **208063-4** is divided lengthwise, providing dual 18-circuit buses. Other bussing configurations can be made available, consult Tyco Electronics.
 2. These connectors mate with 36-circuit Square Grid Receptacle **Part No. 207020-1** (page 31).
 3. Dimensional tolerances are not illustrated. This information is available on Tyco Electronics engineering drawings; use product part number when ordering drawings.

Heat Rise Characteristics

The following graph indicates the maximum temperature rise of a power distribution connector with various currents being applied. The specific connector under test is a fully bussed, 36-circuit power distribution connector with 7-8 mm² [8 AWG] input wire. The mating connector is a standard 36-circuit Metrimate receptacle with all contacts terminated to 1 219 [48] leads using 2 mm² [14 AWG] wire.



- A —13 amperes, one central contact.
- B —13 amperes (combined), two adjacent central contacts.
- C —20 amperes (combined), four central contacts.
- D —40 amperes (combined), four central contacts.
- E —60 amperes (combined), four central, three end contacts.
- F —50 amperes (combined), four corner contacts.
- G —100 amperes (combined), 36 contacts.
- H —155 amperes (combined), 36 contacts.

Application Tooling



Entry Level Terminator (ELT)

Semiautomatic Bench Terminator for side- and end-feed reeled terminals and contacts. The ELT uses a DC motor with gear box drive. Cycle time is less than 0.400 seconds with an operation sound level of 76 dBA. With a crimp force capacity of 3,000 pounds, the ELT is available for all but the highest crimp force applications.



AMPOMATOR CLS IV+ Lead-Making Machine

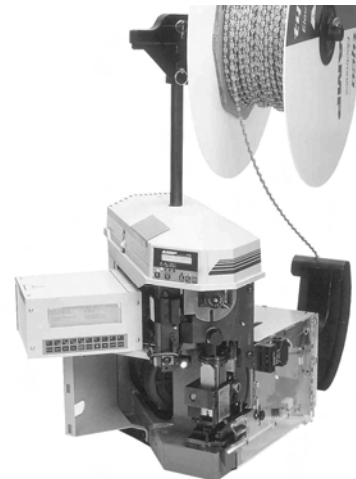
This microprocessor-controlled, fully-automatic lead maker combines ease of operation with the flexibility to handle production requirements ranging from non-stop high volume to

countless series of short runs. Production rates range up to 4,800 leads per hour (for 76 [3] lengths). It can produce leads up to 25,400 [1,000] using optional long-lead conveyors. For further information, request Catalog 124324.



Stripping Module (shown on the Entry Level Terminator)

The Stripping Module can be added to the Entry Level Terminator (ELT) or the AMP-O-ELECTRIC Model G Terminator providing an economic method of stripping the wire and crimping terminals on the same machine. The wires are stripped moments before crimping, minimizing chances of damaging the wire conductors during handling or storage.



AMP-O-ELECTRIC Model G Terminating Machine

A totally new design of our most popular machine for bench-top operation. It features a quiet and highly-reliable direct motor drive, microprocessor controls for ease of setup and operation, and improved guarding and lighting for operator convenience and safety. It also includes a precision crimp height adjustment that enables you to maintain tight tolerances.

Features include:

- Toolless changeover of applicators
- Rates up to 1,800 terminations per hour
- Accepts Heavy Duty Miniature (HDM) applicators
- Designed for optimum operator ease of use with either end-feed or side-feed applicators.

(Shown with optional Crimp Quality Monitor)

For further information, request Catalog 65828.

Need more information?

For further information specifically about AMP tooling, call Technical Support at **1-800-522-6752**.

Application Tooling (Continued)



SDE Electric Terminator
Compact, portable, electric terminator allows for horizontal or vertical loading and is compatible with SDE dies. UL and CE approved.



PH 1600 Crimp Unit
Completely portable, battery-powered, hydraulic crimp unit, producing approx. 200 crimps per charge (12 min. re-charge). SDE die compatible. CE and UL approved.



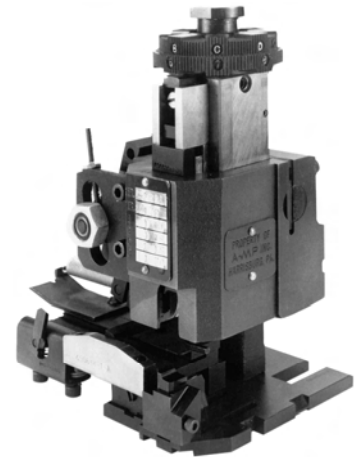
Crimp Quality Monitor
This system measures the crimp height of each termination as it is made. It also evaluates the quality of each crimp. If a crimp is questionable, the monitor alerts the operator with both visual and audible alarms. It also features ports for printing and networking.
For further information, request Catalog 82275.



626 Pneumatic Tool System
For contacts, see pages 9-17.
For further information, request Catalog 124208.



AMP-O-MATIC Side Feed Stripper-Crimper Machine
As the name implies, this machine also strips wire, and is therefore used to terminate jacketed cable. All adjustments can be made from the front of the machine without special tools, providing setup times of 10 minutes or less. (Shown with optional Crimp Quality Monitor)
For further information, request Catalog 65004.



Applicators
These various applicators can be changed to afford maximum flexibility and minimum production downtime for a wide range of automatic machines. Crimp height for a given wire size is simply "dialed in."
For further information, see specific AMP automatic machine catalogs.



PRO-CRIMPER II Hand Tool with SDE Dies
The PRO-CRIMPER II Hand Tool with an all-new design requires dramatically less hand force to produce the same connection as comparable tools. PRO-CRIMPER II hand tools are ideally suited for R&D prototypes, networking applications, and commercial, industrial and institutional maintenance and repair work. For use with Type III+ contacts, see pages 9 and 10.
For further information, request Catalog 82276.

CERTI-CRIMP Hand Tools

These tools are ideal for small production, prototype and experimental applications. They are used for terminating pin and socket contacts to wire and feature a ratchet device to provide for consistently formed crimps each and every time.



Straight Action Hand Tool
For Type III+ contacts, see pages 9 and 10.



"C" Head Straight Action Hand Tool
Part No. 69710-1
For .125 POWERBAND contacts, see page 17.

Technical Documents

The following is a list of technical documents covering the application, performance and maintenance of Metrimate Connectors.

Product Specifications describe technical performance characteristics and verification tests. They are intended for the Design, Component and Quality Engineer.

| | |
|-------------|--|
| 108-10033 | Metrimate Connectors |
| 108-10042 | Contacts, Type III+ Stamped and Formed |
| 108-12011 | Subminiature COAXICON Contacts |
| 108-1317 | Power Drawer Connectors |
| 108-1682 | Power Drawer Connectors with .125 POWERBAND Contacts |
| 108-1449 | Power Drawer with High Current Louvertac Size 8 |
| 108-10033-1 | Metrimate Connectors loaded with contacts |

Application Specifications describe requirements for using the product in its intended application and/or crimping information. They are intended for the Packaging and Design Engineer and the Machine Setup Person.

| | |
|-----------|--|
| 114-10014 | Contacts, Pin and Socket, Power Application of |
| 114-10004 | Contacts, Type III+ |
| 114-10039 | Drawer Connectors |
| 114-10040 | Metrimate Connectors |
| 114-10043 | POWERBAND Contacts |

Instruction Sheets provide instructions for assembling or applying the product. They are intended for the Manufacturing Assembler or Operator.

| | |
|------------|---|
| 408-7846 | Metrimate Connectors (Square Grid) |
| 408-1379 | Pin and Socket Contacts |
| 408-7347 | Insertion Tool 91002-1, Type III+ Contacts |
| 408-2024-2 | Subminiature COAXICON Contacts, Instruction, Maintenance and Inspection |
| 408-1216 | Extraction Tool 305183, Type III+ and Subminiature COAXICON Contacts |
| 408-4374 | Extraction Tool 318813-1 |
| 408-4391 | CERTI-CRIMP SAHT 90716-1 |
| 408-8547 | Operation and Maintenance of CERTI-CRIMP II Straight Action Hand Tools |
| 408-7414 | CERTI-CRIMP SAHT 90225-2 |
| 408-9819 | PRO-CRIMPER II Hand Tool 58495-1 |
| 408-1817 | Insertion Tool 200893-2 |
| 408-2095 | "C" Head Hand Tool 69710-1 |
| 408-9930 | PRO-CRIMPER II Hand Crimping Tool Frame Assembly 354940-1 |

Customer Manuals provide a compilation of customer prints, product specifications, application specifications, features and benefits, IS sheets, test specifications and could include a product catalog.

| | |
|----------|-----------------------------------|
| 409-5862 | AMP 626 Pneumatic Tool Assemblies |
|----------|-----------------------------------|

Electronics

Note: This numerical index lists all cataloged part numbers by base number only. Complete part numbers (with prefixes and/or suffixes) are shown on the page indicated.

| Part No. | Page No. |
|----------|----------|
| 51565 | 13, 14 |
| 66098 | 9 |
| 66099 | 9 |
| 66100 | 9 |
| 66101 | 9 |
| 66102 | 9 |
| 66103 | 9 |
| 66104 | 9 |
| 66105 | 9 |
| 66106 | 9 |
| 66107 | 9 |
| 66108 | 9 |
| 66109 | 9 |
| 66180 | 11 |
| 66181 | 11 |
| 66182 | 11 |
| 66183 | 11 |
| 66331 | 9 |
| 66332 | 9 |
| 66358 | 9 |
| 66359 | 9 |
| 66360 | 9 |
| 66361 | 9 |
| 66393 | 9 |
| 66394 | 9 |
| 66399 | 9 |
| 66400 | 9 |
| 66405 | 9 |
| 66406 | 9 |
| 66424 | 9 |
| 66425 | 9 |
| 66428 | 9 |
| 66429 | 9 |
| 66563 | 9 |
| 66564 | 9 |
| 66565 | 9 |
| 66566 | 9 |
| 66597 | 9 |
| 66598 | 9 |
| 66601 | 9 |
| 66602 | 9 |
| 164159 | 10 |
| 164160 | 10 |
| 164161 | 10 |
| 164162 | 10 |
| 164163 | 10 |
| 164164 | 10 |
| 193457 | 16 |
| 193458 | 16 |
| 193534 | 16 |
| 193535 | 16 |
| 193642 | 16 |
| 193643 | 16 |
| 193814 | 16 |
| 193844 | 12 |
| 193846 | 12 |
| 194264 | 12 |
| 202236 | 11 |
| 202237 | 11 |
| 206763 | 34 |
| 207015 | 31, 34 |

Part Number Index

| Part No. | Page No. |
|----------|----------------|
| 207016 | 31, 34 |
| 207017 | 31, 34 |
| 207018 | 31, 34 |
| 207019 | 31, 34, 54 |
| 207020 | 31, 34, 55 |
| 207088 | 31 |
| 207119 | 34 |
| 207120 | 34 |
| 207121 | 34 |
| 207152 | 31, 34 |
| 207153 | 31, 34 |
| 207158 | 34 |
| 207304 | 31, 34 |
| 207305 | 31, 34 |
| 207359 | 39, 41, 48, 50 |
| 207360 | 39, 41 |
| 207365 | 41 |
| 207376 | 39, 41, 51 |
| 207377 | 39, 41 |
| 207378 | 41 |
| 207396 | 39, 41 |
| 207397 | 39, 41, 49 |
| 207398 | 41 |
| 207439 | 31, 34 |
| 207440 | 31, 34 |
| 207441 | 34 |
| 207442 | 31, 34 |
| 207443 | 31, 34 |
| 207444 | 34 |
| 207496 | 34 |
| 207524 | 34 |
| 207526 | 34 |
| 207528 | 34 |
| 207530 | 34 |
| 207532 | 34 |
| 207534 | 34 |
| 207535 | 39 |
| 207541 | 41 |
| 207542 | 39, 41 |
| 207543 | 39, 41 |
| 207544 | 41 |
| 207583 | 41 |
| 207584 | 41 |
| 207599 | 41 |
| 207600 | 31 |
| 207601 | 31 |
| 207602 | 31 |
| 207603 | 31 |
| 207604 | 31 |
| 207608 | 41 |
| 207609 | 41 |
| 207610 | 41 |
| 207611 | 41 |
| 207612 | 41 |
| 207613 | 41 |
| 207614 | 41 |
| 207615 | 41 |
| 207654 | 44 |
| 208062 | 54 |
| 208063 | 55 |
| 208099 | 44 |
| 208100 | 44 |
| 208116 | 44 |
| 208117 | 44 |
| 208209 | 18 |
| 208210 | 18 |

| Part No. | Page No. |
|----------|------------|
| 208211 | 20 |
| 208222 | 50 |
| 208309 | 49 |
| 208212 | 51 |
| 208334 | 52, 53 |
| 208400 | 44 |
| 208403 | 44 |
| 208404 | 44 |
| 208627 | 52 |
| 208628 | 52 |
| 208708 | 48 |
| 211076 | 39 |
| 211108 | 44 |
| 211149 | 18 |
| 211150 | 18, 24 |
| 211580 | 52, 53 |
| 211758 | 18 |
| 211759 | 18 |
| 212008 | 15 |
| 212014 | 15 |
| 212608 | 18 |
| 212609 | 18 |
| 212630 | 44 |
| 213283 | 20 |
| 213426 | 16, 19 |
| 213427 | 16, 19 |
| 213499 | 16, 19 |
| 213500 | 16, 17, 19 |
| 213552 | 15 |
| 213558 | 18 |
| 213567 | 15 |
| 213662 | 15 |
| 213672 | 18 |
| 213713 | 19 |
| 213737 | 15 |
| 213738 | 18 |
| 213740 | 15 |
| 213748 | 18 |
| 213749 | 18 |
| 213750 | 15 |
| 213752 | 19 |
| 213766 | 27, 29 |
| 213768 | 27, 29 |
| 213784 | 18 |
| 213792 | 31 |
| 213793 | 31 |
| 213794 | 31 |
| 213795 | 31 |
| 213796 | 31 |
| 213797 | 31 |
| 213824 | 18 |
| 213841 | 17 |
| 213843 | 17 |
| 213845 | 17 |
| 213847 | 17 |
| 213881 | 18 |
| 213882 | 19 |
| 213883 | 19 |
| 213886 | 17, 19 |
| 213908 | 19 |
| 213940 | 27, 28 |
| 213942 | 27 |
| 213973 | 27, 30 |
| 213974 | 27, 30 |
| 225088 | 13 |
| 226537 | 13, 14 |

| Part No. | Page No. |
|----------|----------|
| 332056 | 13 |
| 332057 | 13, 14 |
| 788085 | 9 |
| 788088 | 9 |
| 796964 | 12 |
| 796966 | 12 |

Tooling

| Part No. | Page No. |
|----------|-----------------------|
| 58495 | 9, 10 |
| 69656 | 13, 14 |
| 69690 | 13, 14 |
| 69710 | 13, 14, 17, 57 |
| 90225 | 9 |
| 90716 | 9 |
| 91002 | 9 |
| 91505 | 9, 10 |
| 91515 | 9, 10 |
| 91519 | 9 |
| 91521 | 9 |
| 91523 | 9, 10 |
| 91542 | 9 |
| 91911 | 13, 14 |
| 189721 | 9, 10, 13, 14, 17 |
| 189722 | 9, 10, 13, 14, 17 |
| 189928 | 9, 10, 13, 14 |
| 200893 | 9 |
| 305183 | 9, 11, 12, 13, 14, 16 |
| 318161 | 13, 14, 17 |
| 318813 | 16 |
| 354500 | 17 |
| 354940 | 13, 14 |
| 356114 | 16 |
| 356304 | 9, 10, 13, 14, 17 |
| 356336 | 16 |
| 356611 | 17 |
| 356612 | 17 |
| 466321 | 9 |
| 466323 | 9, 10 |
| 466324 | 9 |
| 466325 | 9 |
| 466326 | 9 |
| 466383 | 9 |
| 466585 | 9 |
| 466598 | 9 |
| 466741 | 10 |
| 466906 | 9 |
| 466907 | 9, 10 |
| 466908 | 9 |
| 466923 | 9 |
| 466942 | 9 |
| 466958 | 9 |
| 466979 | 9 |
| 567363 | 9 |
| 567364 | 9 |
| 567867 | 9 |
| 567947 | 9 |
| 601967 | 12 |
| 608651 | 15 |
| 608668 | 15 |
| 680114 | 10 |
| 680195 | 17 |
| 680197 | 17 |
| 680602 | 9 |
| 725840 | 10 |