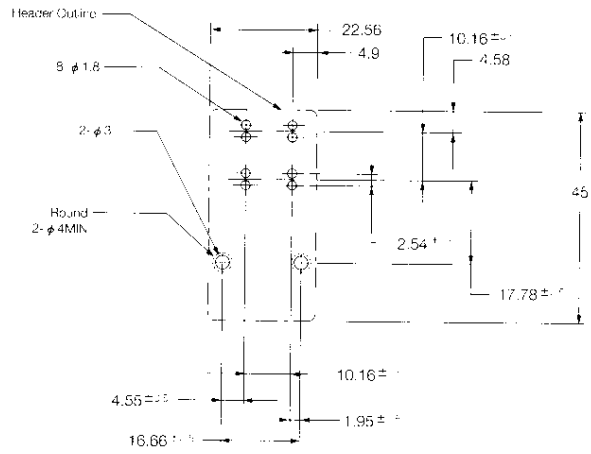
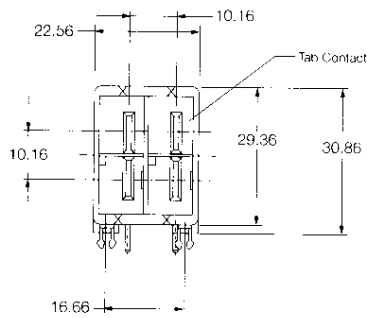
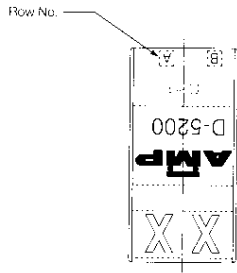
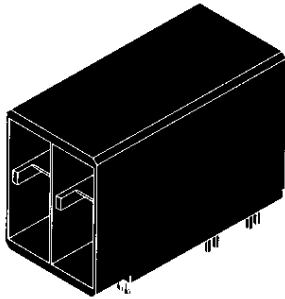


Wire to Board Connectors

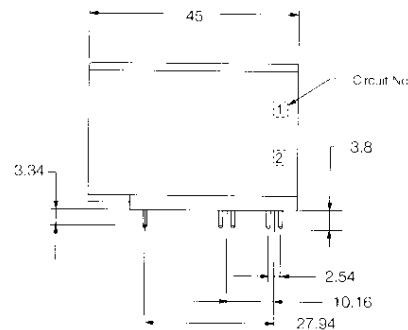
Dynamic Series Connectors/D-5200 Series

D-5200M α — High Current Type

■ Board-mount Tab Header (Horizontal Type)



PC Board Layout
Applicable Board
Thickness: 1.6~2.4±0.1



| No. of Position | Keying | Part Number of Receptacle Housing |
|-----------------|--------|-----------------------------------|
| 4 | XX | 1-1318983-6 |
| | YY | 2-1318983-6 |
| | XY | 3-1318983-6 |

4