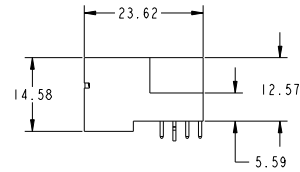
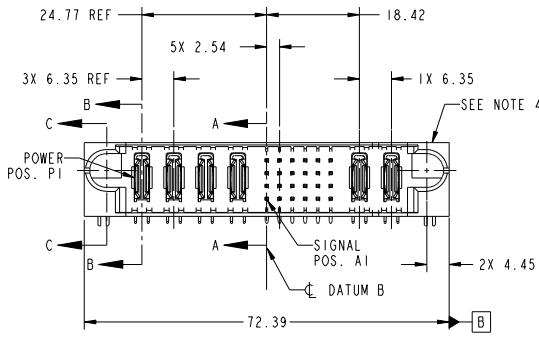
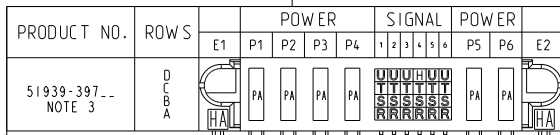


Tous droits, strictement réservés. Reproduction ou communication a des tiers interdite sous quelque forme que ce soit sans autorisation écrite du propriétaire. Propriété de c.FCI. Droits de reproduction FCI.



All rights, strictly reserved. Reproduction or issue to third parties in any form, whatever is not permitted without written authority from the proprietor. Property of FCI. Copyright FCI.



CODE	DIM "M" MATING LENGTH	CONTACT TYPE
U	[6.86]	SIGNAL
T	[6.86]	SIGNAL
S	[6.86]	SIGNAL
R	[6.86]	SIGNAL
PA	[N/A]	POWER
HA	[N/A]	HOLD-DOWN
H	[5.59]	SIGNAL

mat'l code				SEE NOTE		tolerances unless otherwise specified		CUSTOMER		FCI	
lfr	ecn no.	dr	date	linear	0.X ±0.5	projection	COPY		www.fciconnect.com		
A	D008-0358	JW	11/17/08	angles	0.XX ±0.25	MM	title		4P + 24S + 2P		
				gr	0.XXX ±0.1	MM	product family		RIGHT ANGLE SOLDER HEADER		
				eng	0° ±2°	MM	size		PwrBlade code		
				chr		MM	scale		213		
				appd		MM	A		51939-397		
sheet index	revision sheet	A	A	A	A	A	1:1		1 of 4		
1	2	3	4								

cage code 22526

PDM: Rev:A

STATUS:Released

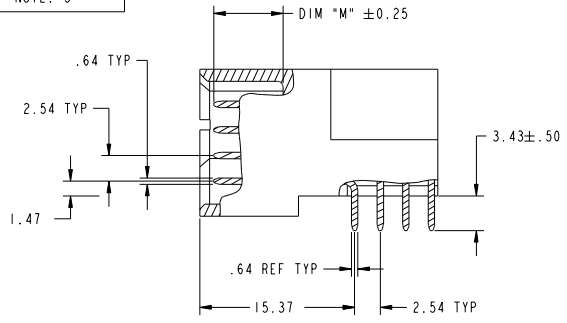
Printed: Dec 20, 2010

Tous droits strictement réservés. Reproduction ou communication à des tiers interdite sous quelque forme que ce soit sans autorisation écrite du propriétaire. Propriété de FCJ. Droits de reproduction FCJ.

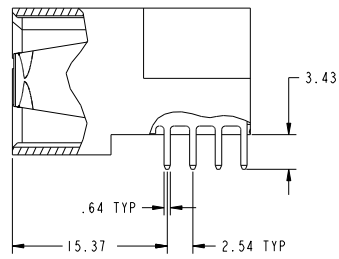
All rights strictly reserved. Reproduction or issue to third parties in any form whatsoever is not permitted without written authority from the proprietor. Property of FCJ. Copyright FCJ.



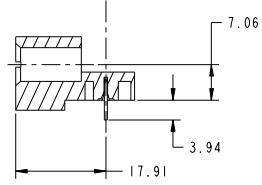
PRODUCT NUMBER
51939-397...
NOTE: 3



BROKEN-OUT SECTION A-A
SCALE 2:1



BROKEN-OUT SECTION B-B
SCALE 2:1



SECTION C-C

mat'l code		SEE NOTE		tolerances unless otherwise specified		CUSTOMER		FCJ	
lfr	ecm no.	dr	date	linear	angles	projection	title	product family	code
A				0.X ±0.5	0° ±2°	MM	4P + 24S + 2P	PwrBlade	213
				0.XX ±0.25		MM	RIGHT ANGLE SOLDER HEADER		sheet
				0.XXX ±0.1		MM			2 of 4
				dr JULIA WANG 11/17/08		MM			
				eng JEROME CHEN 11/17/08		MM			
				chr GARY HSIEH 11/17/08		MM			
				appd JOSEPH HSIA 11/17/08		MM			
sheet index	revision sheet								

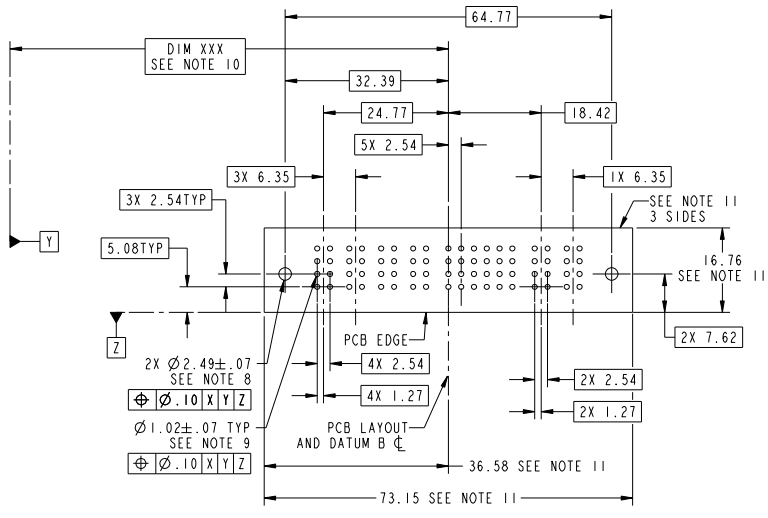
cage code 22526

Tous droits strictement réservés. Reproduction ou communication à des tiers interdite sous quelque forme que ce soit sans autorisation écrite du propriétaire. Propriété de c.F.C.I. Droits de reproduction F.C.I.



All rights strictly reserved. Reproduction or issue to third parties in any form whatsoever is not permitted without written authority from the proprietor. Property of F.C.I. Copyright F.C.I.

PRODUCT NUMBER
51939-397...
NOTE: 3



RECOMMENDED PCB LAYOUT

mat'l code		SEE NOTE		tolerances unless otherwise specified		CUSTOMER	
ltr	ecn no.	dr	date	linear	angles	projection	title
A				0.X ± 0.5	0° ± 2°	MM	4P + 24S + 2P RIGHT ANGLE SOLDER HEADER
				0.XX ± 0.25			product family PwrBlade code 213
				0.XXX ± 0.1			size dwg no 51939-397 sheet 3 of 4
				dr JULIA WANG 11/17/08			
				eng JEROME CHEN 11/17/08			
				chr GARY HSIEH 11/17/08			
				appd JOSEPH HSIA 11/17/08			
sheet index	revision sheet						

Pro/E

cage code 22526

PDM: Rev:A

STATUS:Released

Printed: Dec 20, 2010

Tous droits strictement réservés. Reproduction ou communication à des tiers interdite sous quelque forme que ce soit sans autorisation écrite du propriétaire. Propriété de FCJ. Droits de reproduction FCJ.



All rights strictly reserved. Reproduction or issue to third parties in any form whatsoever is not permitted without written authority from the proprietor. Property of FCJ. Copyright FCJ.

PRODUCT NUMBER
51939-397..
NOTE: 3

NOTES:

1. DIMENSIONS AND TOLERANCES ARE IN ACCORDANCE WITH ASME Y14.5M, 1994 UNLESS OTHERWISE SPECIFIED.

CONNECTOR NOTES:

- 2. HOUSING MATERIAL: UL 94 V-0 GLASS FILLED
HIGH-TEMP THERMOPLASTIC
POWER CONTACT MATERIAL: COPPER ALLOY
SIGNAL PIN MATERIAL: COPPER ALLOY
 - 3. PLATING:
SEE ITEM 1 & 2 IN PRINT 10064183 FOR PLATING SPEC OF 51939-397; 51939-397LF RESPECTIVELY.
 - 4. MANUFACTURER'S NAME, P/N, AND DATE CODE TO APPEAR ON THIS SURFACE.
 - 5. PRODUCT SPECIFICATION GS-12-149.
APPLICATION SPECIFICATION BUS-20-067.
 - 6. PACKAGED IN TRAYS.
- PCB NOTES:
- 7. ALL HOLE DIAMETERS ARE FINISHED HOLE SIZE.
 - 8. MOUNTING HOLES, WHERE APPLICABLE, ARE UNPLATED.
 - 9. $\varnothing 1.151 \pm 0.025$ DRILLED HOLES PLATED WITH
0.008 MIN SnPb OR Sn OVER 0.03
TO 0.08 Cu PLATING TO ACHIEVE
 $\varnothing 1.02 \pm .07$ HOLE.
 - 10. "DIM XXX" TO BE DETERMINED BY THE CUSTOMER.
 - 11. CONNECTOR KEEP-OUT ZONE.

mat'l code				SEE NOTE		tolerances unless otherwise specified		CUSTOMER		FCJ	
litr	ecm no.	dr	date	linear	angles	projection	scale	title	product family	dwg no	code
A				$0.X \pm 0.5$	$0.XX \pm 0.25$		1:1	4P + 24S + 2P RIGHT ANGLE SOLDER HEADER	PwrBlode	213	
				$0.XXX \pm 0.1$	$0^\circ \pm 2^\circ$					4 of 4	
				dr JULIA WANG 11/17/08	eng JEROME CHEN 11/17/08						
				chr GARY HSIEH 11/17/08	appd JOSEPH HSIA 11/17/08						
sheet index	revision sheet										

cage code 22526